



## INSTALLATION INSTRUCTIONS

Accessory  
INTERIOR ILLUMINATION

Application  
2020 CIVIC

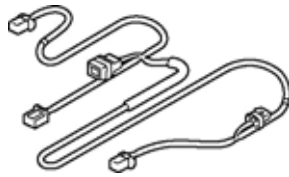
Publications No.  
**VERSION 1**  
Issue Date  
**AUG 2019**

### PARTS LIST

2 Ambient lights



Ambient light harness



Wire tie with clip  
(May not be used)



10 Wire ties



Fuse label



2 Self-tapping screws



### TOOLS AND SUPPLIES REQUIRED

Phillips screwdriver

10 mm Open end wrench

Ratchet

10 mm Socket

Diagonal cutters

Isopropyl alcohol

Shop towel

Masking tape

Pushpin

Drill

3 mm, 5 mm, 6 mm, 8 mm, and 12 mm Drill bits

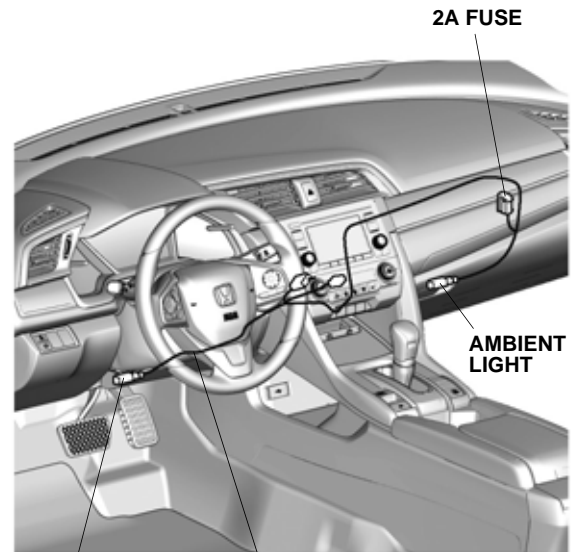
File

Eye protection (face shield, safety goggles, etc.)

*The following tools are available through the Honda Tool and Equipment Program. On the iN, click on Service > Service Bay > Tool and Equipment Program, then enter the number under "Search." Or, call 888-424-6857.*

- Trim Tool Set (T/N SOJATP2014)
- Plastic Trim Tool (T/N SILTRIMTL10)

### Illustration of the Interior Illumination in the Vehicle



AMBIENT LIGHT

AMBIENT LIGHT HARNESS

2A FUSE

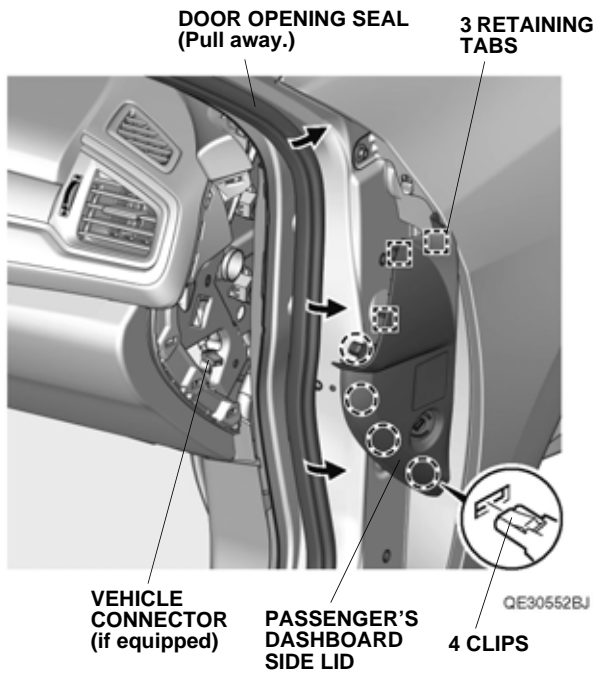
AMBIENT LIGHT

QE32301AJ

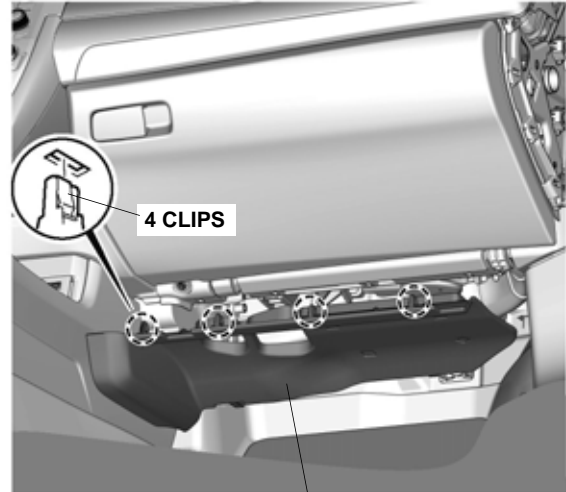
## INSTALLATION

**Customer Information:** The information in this installation instruction is intended for use only by skilled technicians who have the proper tools, equipment, and training to correctly and safely add equipment to your vehicle. These procedures should not be attempted by “do-it-yourselfers.”

1. Disconnect the negative cable from the battery.
2. Remove the passenger's dashboard side lid, and unplug the vehicle connector, if equipped. Pull away the door opening seal.

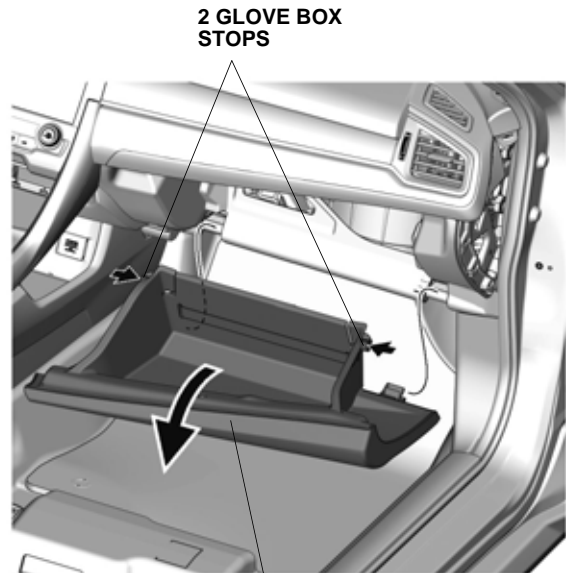


3. Remove the passenger's under cover.

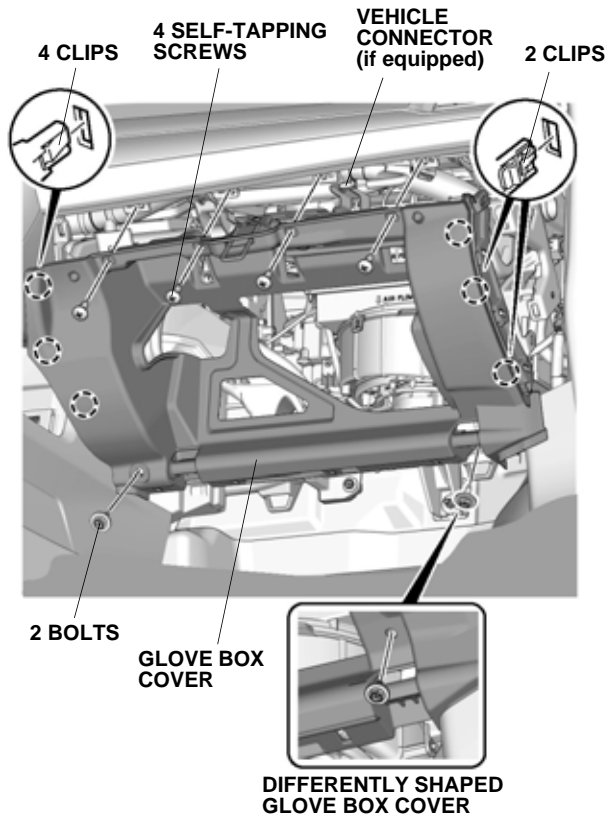


PASSENGER'S UNDER COVER

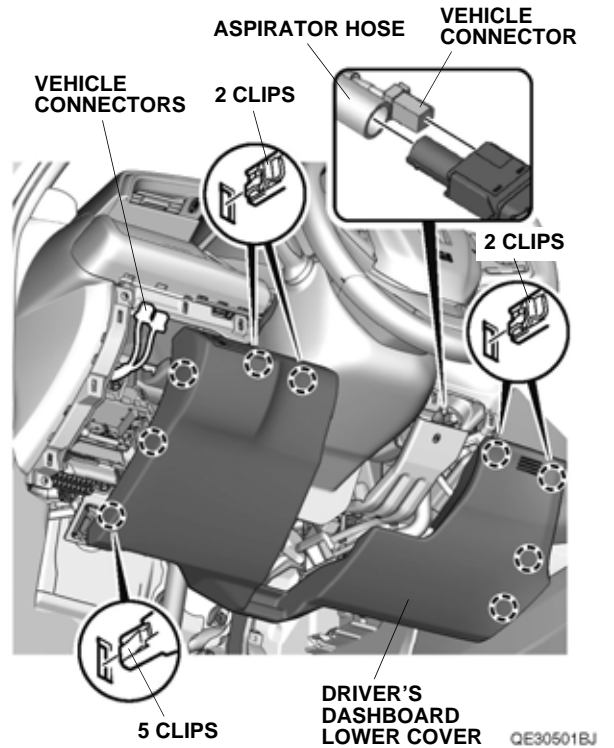
4. Open the glove box, push inward on the glove box stops and remove the glove box.



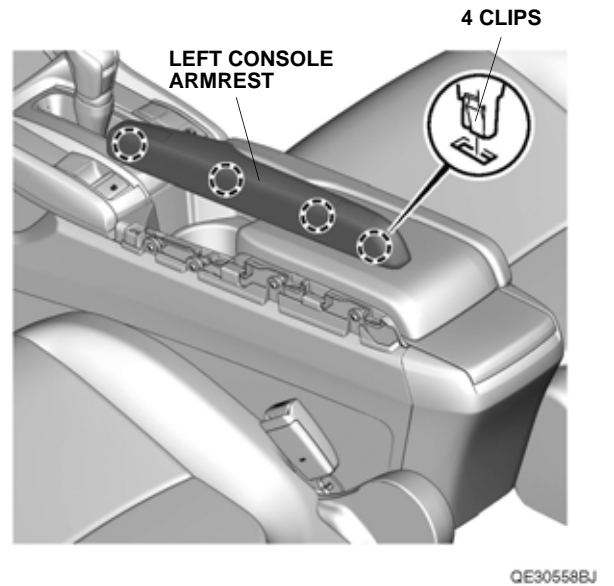
5. Remove the glove box cover, and unplug the vehicle connector, if equipped.



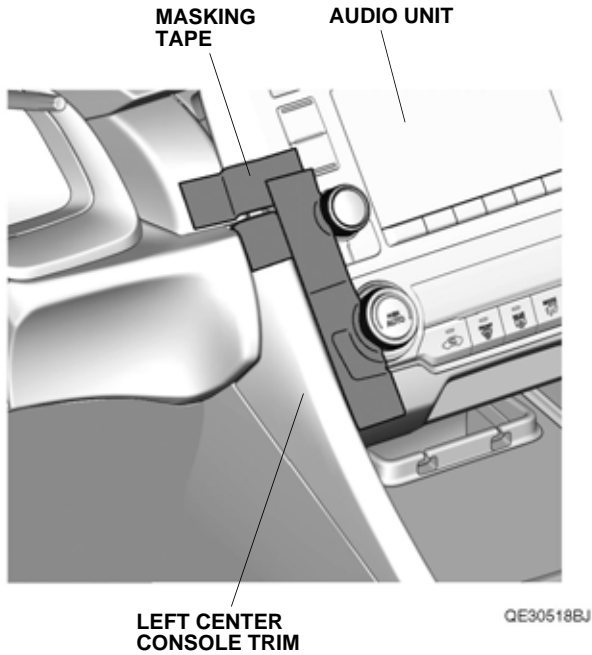
6. Remove the driver's dashboard lower cover, unplug the vehicle connectors, and aspirator hose.



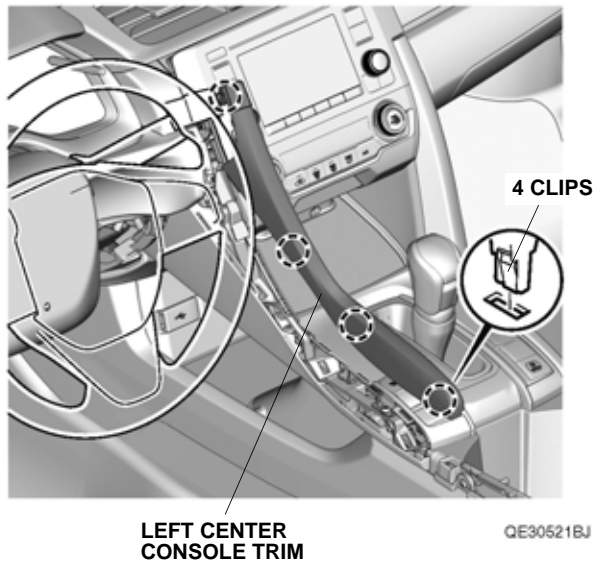
7. Remove the left console armrest.



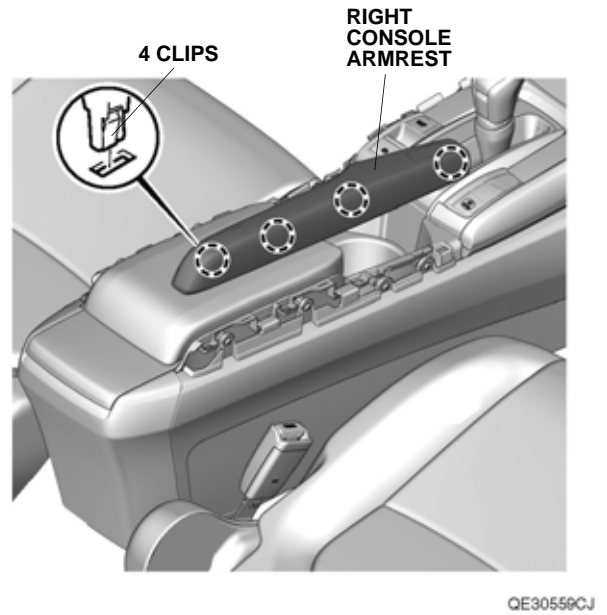
8. Attach masking tape to the area shown.



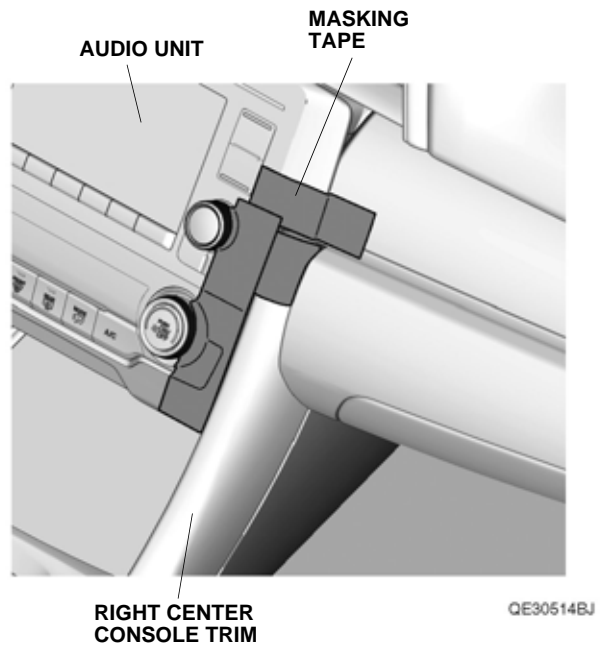
9. Remove the left center console trim.



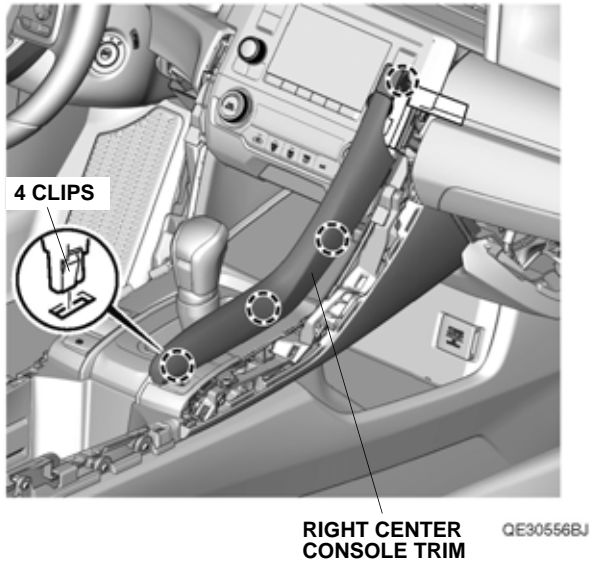
10. Remove the right console armrest.



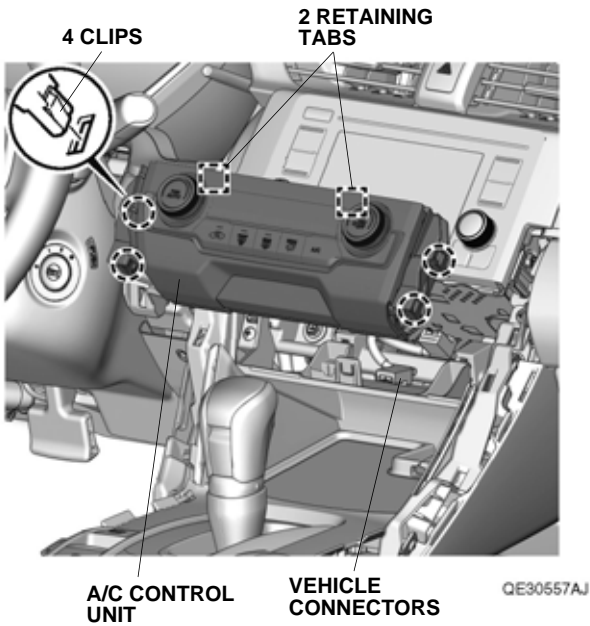
11. Attach masking tape to the area shown.



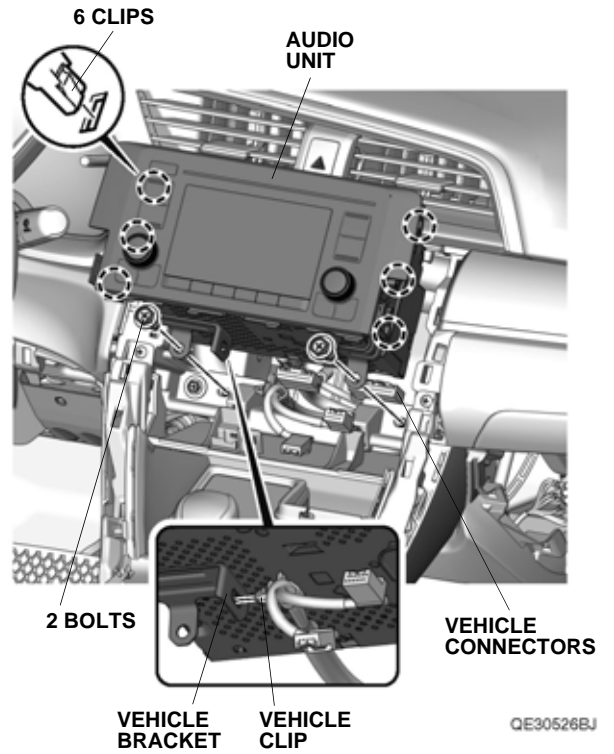
12. Remove the right center console trim.



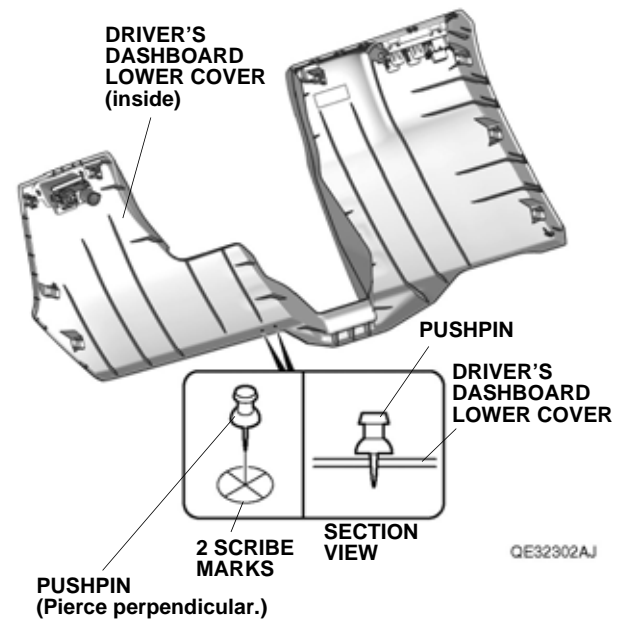
13. Remove the A/C control unit, and unplug the vehicle connectors.



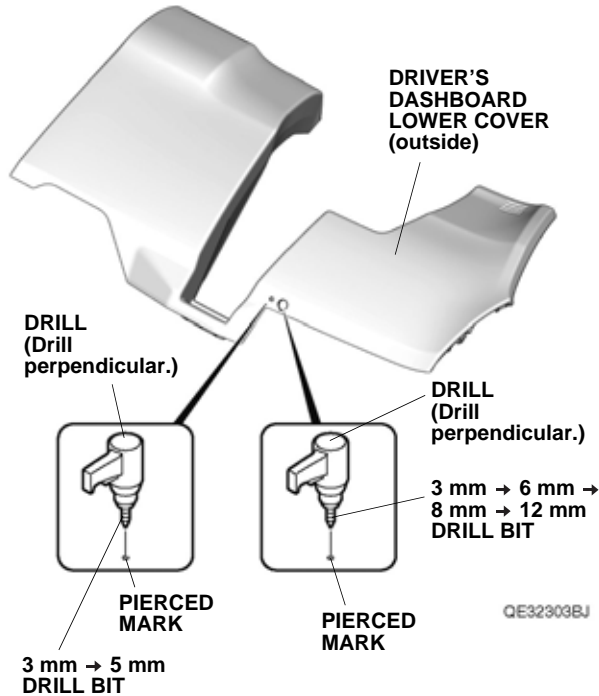
14. Remove the audio unit, and unplug the vehicle connectors.



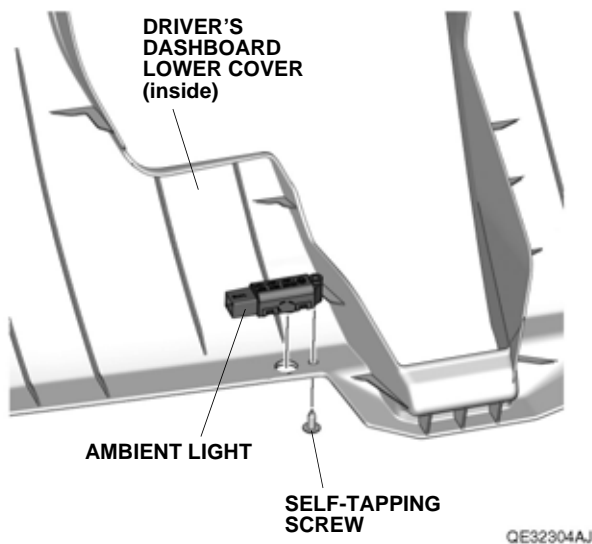
15. Using a pushpin, pierce the center of two scribe marks on the driver's dashboard lower cover.



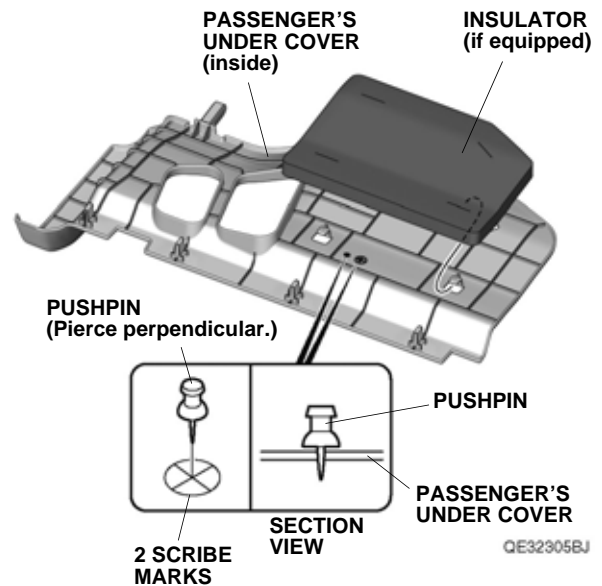
16. While wearing eye protection, drill the pierced mark with a 3 mm drill bit, then finish with a 5 mm drill bit as shown.



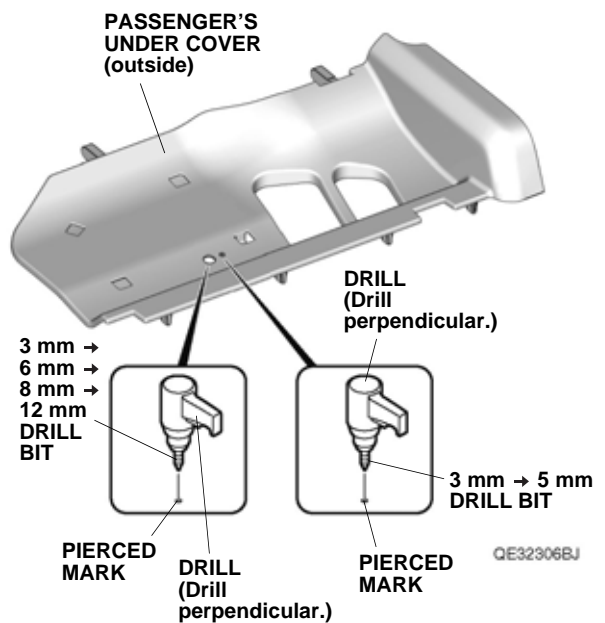
17. While wearing eye protection, drill the other pierced mark with a 3 mm drill bit, with a 6 mm drill bit, with an 8 mm drill bit, then finish with a 12 mm drill bit.
18. Using a file, remove any burrs from the holes.
19. Install the ambient light to the driver's dashboard lower cover with one self-tapping screw.



20. If equipped, remove the insulator. Using a pushpin, pierce the center of two scribe marks on the passenger's under cover.

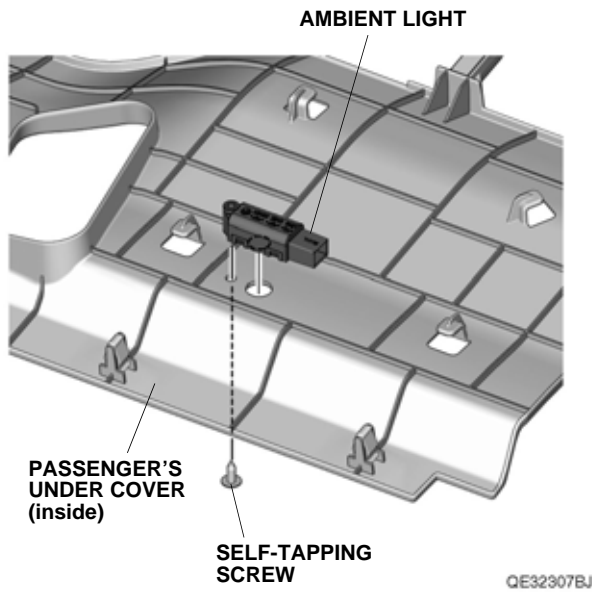


21. While wearing eye protection, drill the pierced mark with a 3 mm drill bit, then finish with a 5 mm drill bit as shown.

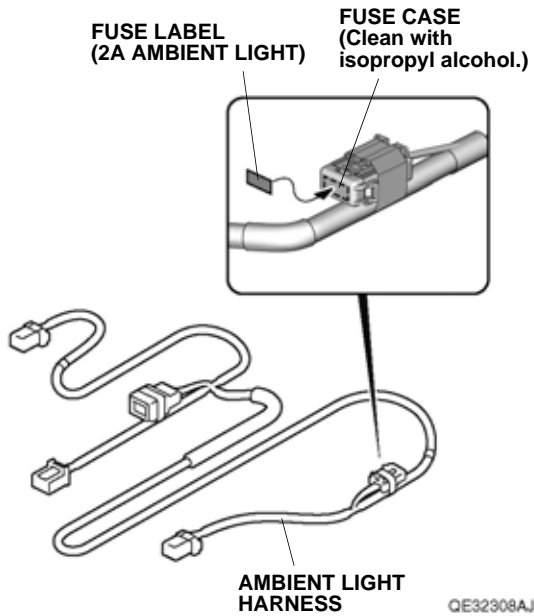


22. While wearing eye protection, drill the other pierced mark with a 3 mm drill bit, with a 6 mm drill bit, with an 8 mm drill bit, then finish with a 12 mm drill bit.
23. Using a file, remove any burrs from the holes.

24. Install the ambient light to the passenger's under cover with one self-tapping screw.

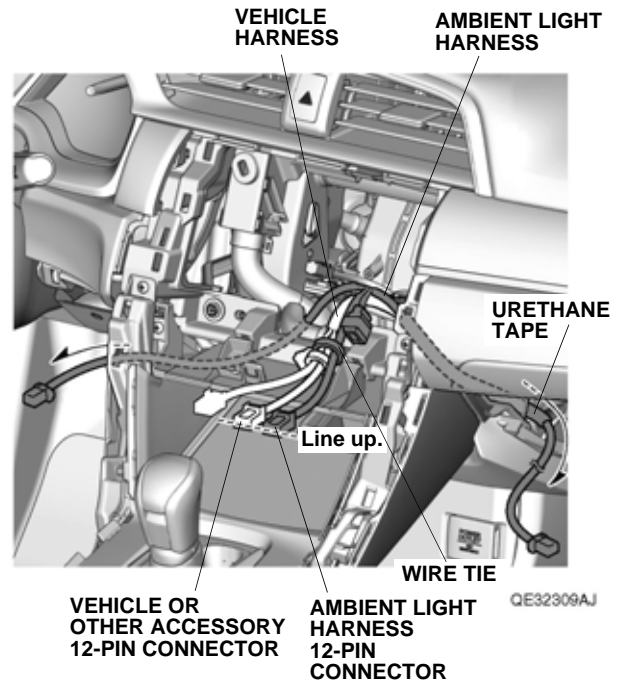


25. If equipped, install the insulator.  
 26. Using isopropyl alcohol on a shop towel, thoroughly clean the fuse case where the fuse label will attach.

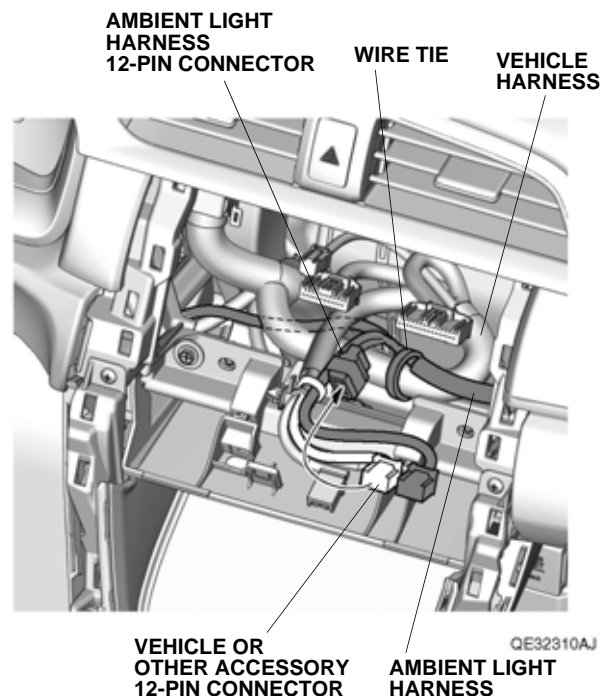


27. Attach the fuse label to the ambient light harness fuse case.

28. Route the ambient light harness as shown. Line up the ambient light harness 12-pin connector with the vehicle or other accessory 12-pin connector, and secure the ambient light harness to the vehicle harness with one wire tie.

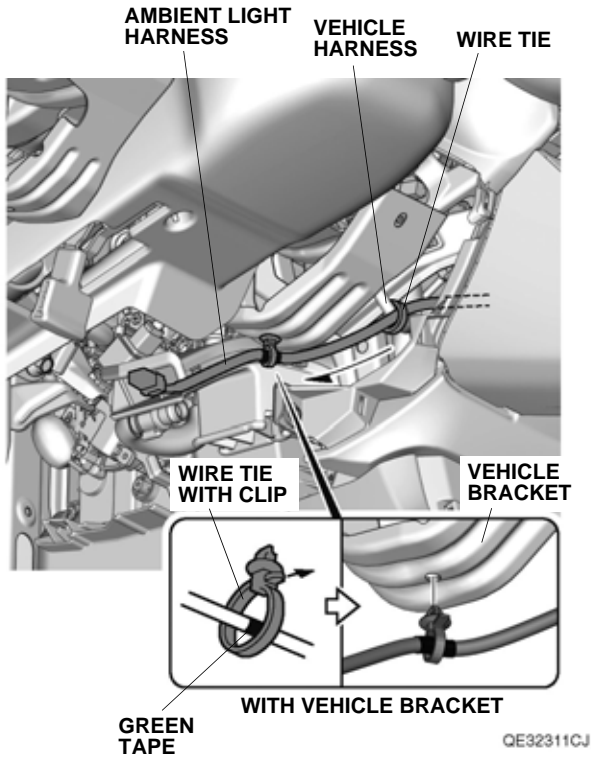


29. Plug the vehicle or other accessory 12-pin connector into the ambient light harness 12-pin connector, and secure the ambient light harness to the vehicle harness with one wire tie.



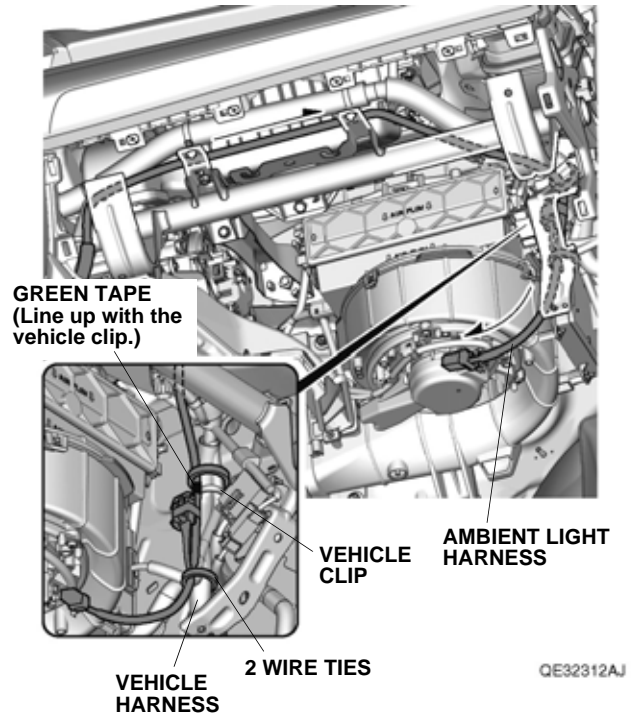


30. If equipped with the vehicle bracket, secure the green tape on the ambient light harness to the vehicle bracket with one wire tie with clip.

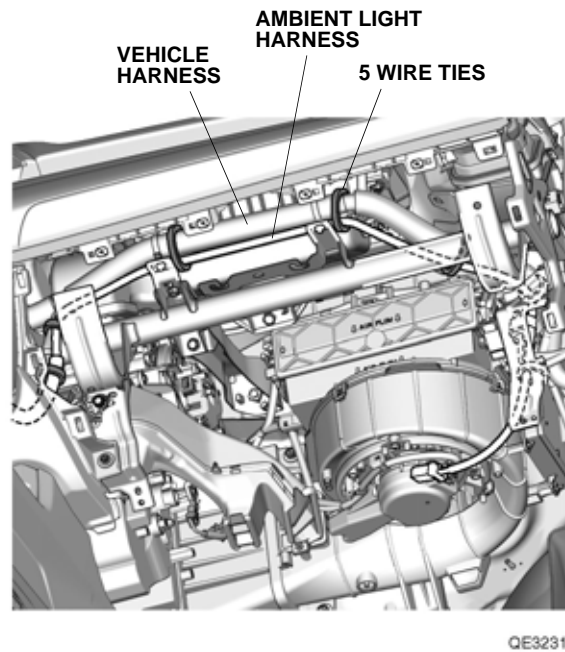


31. Secure the ambient light harness to the vehicle harness with one wire tie.

32. Route the ambient light harness as shown. Line up the green tape on the ambient light harness with the vehicle clip, and secure the ambient light harness to the vehicle harness with one wire tie.

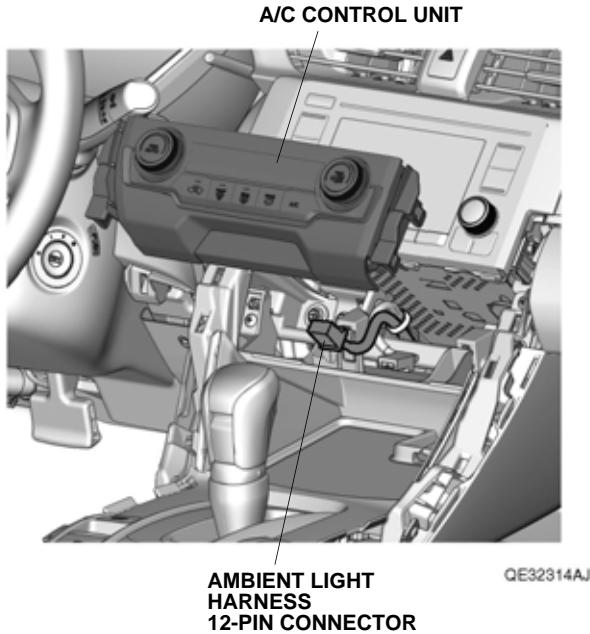


33. Secure the ambient light harness to the vehicle harness with one wire tie.
34. Secure the ambient light harness to the vehicle harness with five wire ties.

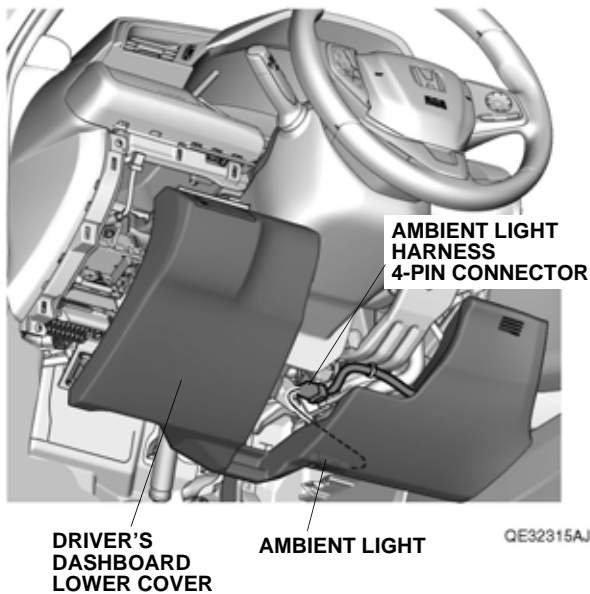




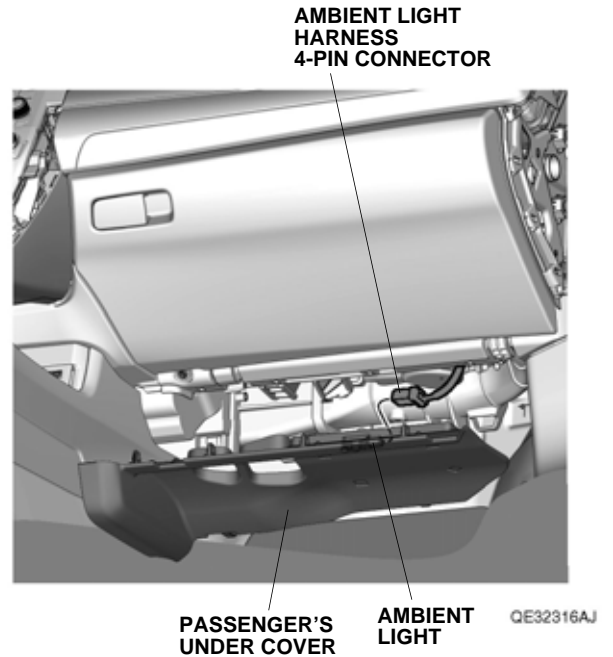
35. Install the audio unit.



36. Plug the ambient light harness 12-pin connector into the A/C control unit, and install the A/C control unit.
37. Plug the ambient light harness 4-pin connector into the ambient light, and install the driver's dashboard lower cover.



38. Reinstall the glove box cover and the glove box.

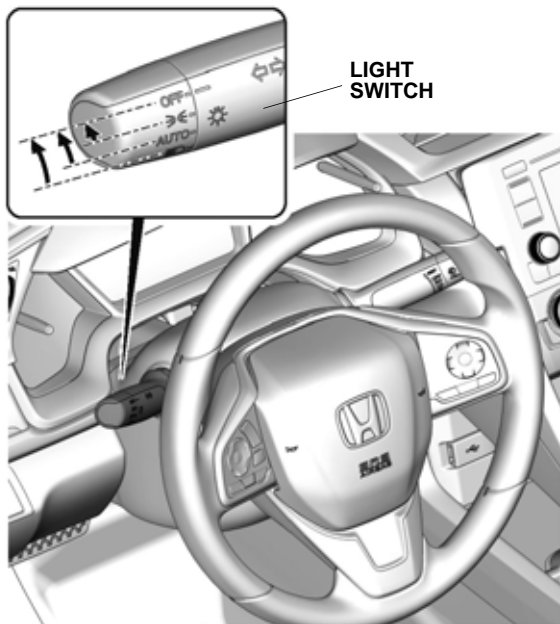


39. Plug the ambient light harness 4-pin connector into the ambient light, and install the passenger's under cover.

40. Check that all wire harnesses are routed properly and all connectors are plugged in.
41. Install all removed parts.
42. Connect the negative cable to the battery.
43. Turn the engine switch to ON; the SRS indicator should come on for about 6 seconds and then go off.
44. Press and hold the audio unit power button for 2 seconds to restore the audio and navi (if equipped) system functions.
45. Set the clock on vehicles without navigation.
46. If necessary, restore the systems back to normal operation as described in the service information.

## Check the Operation of the Interior Illumination

47. With the light switch set to “ $\text{D}$ ” or “ $\text{D}$ ” position, the ambient lights are on.
48. When the headlight switch is in the “AUTO” position, the ambient lights are on with the parking lights or headlights.
49. Check that the interior illumination brightness varies along with the instrument panel brightness by turning the brightness control knob.
50. If the ambient lights do not come on, check the fuse and all the connectors.



QE32317AJ