



INSTALLATION INSTRUCTIONS

Accessory
17" ALUMINUM WHEEL
P/N 08W17-TBA-100

Application
2020 CIVIC
(EXCEPT Si)

Publications No.
VERSION 1
Issue Date
AUG 2019

PARTS LIST

Aluminum wheel
(The illustration may differ from the actual wheel.)



Wheel center cap
(The illustration may differ from the actual center cap.)



Valve



Tire pressure information label
(May not be used.)



TOOLS AND SUPPLIES REQUIRED

19 mm Socket
Torque wrench
Isopropyl alcohol
Shop towel

SPECIFICATIONS

Models not equipped with standard 17" wheels:

Rim size	17 x 7J (inset 45)	
Tire size	215/50R17 91H	
Bolt hole PCD	114.3 (5 holes)	
Tire pressure	Front	32 psi (220 kPa)
	Rear	32 psi (220 kPa)

Models equipped with standard 17" wheels:

Refer to the owner's manual.

INSTALLATION

Customer Information: The information in this installation instruction is intended for use only by skilled technicians who have the proper tools, equipment, and training to correctly and safely add equipment to your vehicle. These procedures should not be attempted by "do-it-yourselfers."

NOTE:

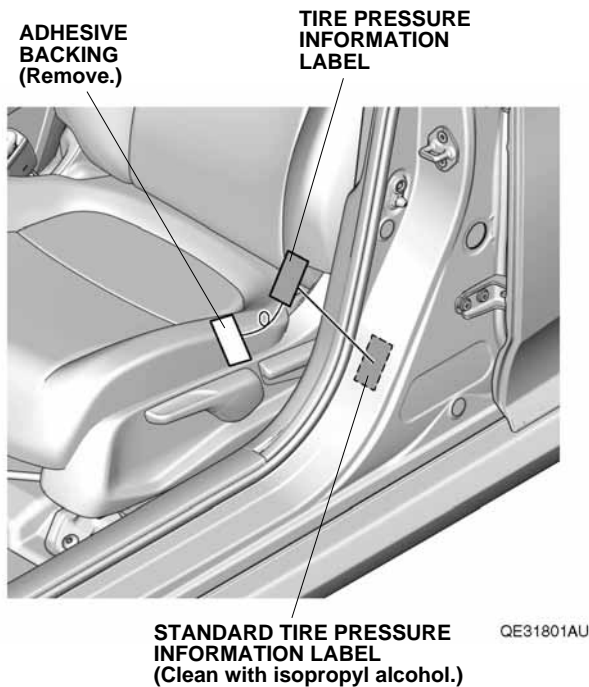
- The illustrations of the aluminum wheels are shown for reference purposes only.
- Install the correct size tire.
- Use a tire changer to install and remove the tires as described in the operation manual furnished with the tire changer. Do not use a tire lever to install and remove the tires as it may cause damage to the tire and aluminum wheel.
- The wheel nut torque is 108 N·m (80 lb-ft).
- This kit should be installed only if the ambient air temperature is 15°C (60°F) or above.
- To allow the adhesive to cure, do not wash the vehicle for 24 hours. Make sure the customer is aware of this.

Models equipped with standard 17" wheels:

Discard the tire pressure information label in this kit. Do the TPMS calibration according to the instructions in the service information (TPMS Calibration).

Models Not Equipped with 17" Wheels (Do steps 1 and 2.)

1. Open the driver's door. Using isopropyl alcohol on a shop towel, thoroughly clean the area where the tire pressure information label will attach. Remove the adhesive backing from the tire pressure information label and attach it over the standard tire pressure information label as shown.



2. Do the TPMS calibration according to the instructions in the service information (TPMS Calibration).