



## INSTALLATION INSTRUCTIONS

Accessory  
TAILGATE SPOILER  
P/N 08F02-TEA-100

Application  
2019 CIVIC  
5-DOOR  
(EXCEPT Si)

Publications No.  
VERSION 1  
Issue Date  
OCT 2018

### PARTS LIST

Tailgate spoiler



4 Clips



2 Alcohol swabs



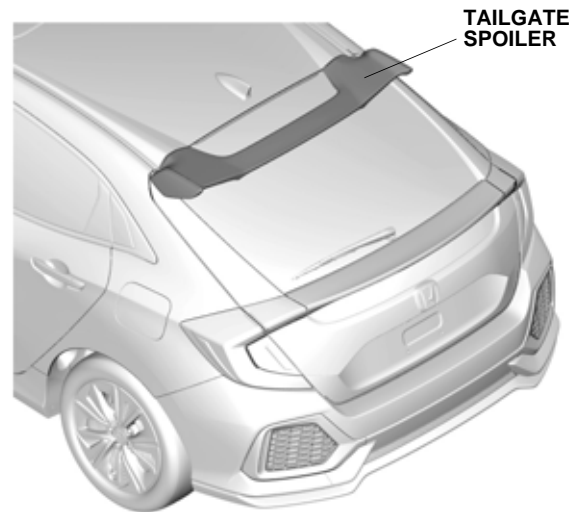
2 Bolts



### TOOLS AND SUPPLIES REQUIRED

Ratchet  
10 mm Socket  
Torque wrench  
Needle nose pliers  
Masking tape  
Ruler

### Illustration of the Tailgate Spoiler Installed on the Vehicle



QED0901AH

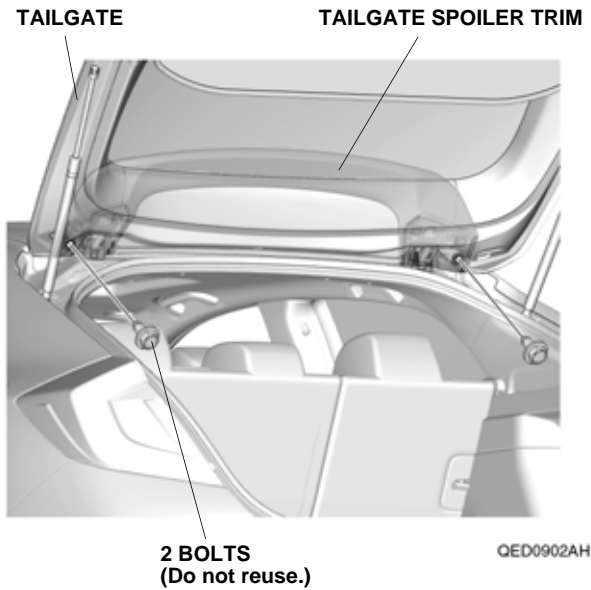
### INSTALLATION

**Customer Information:** The information in this installation instruction is intended for use only by skilled technicians who have the proper tools, equipment, and training to correctly and safely add equipment to your vehicle. These procedures should not be attempted by “do-it-yourselfers.”

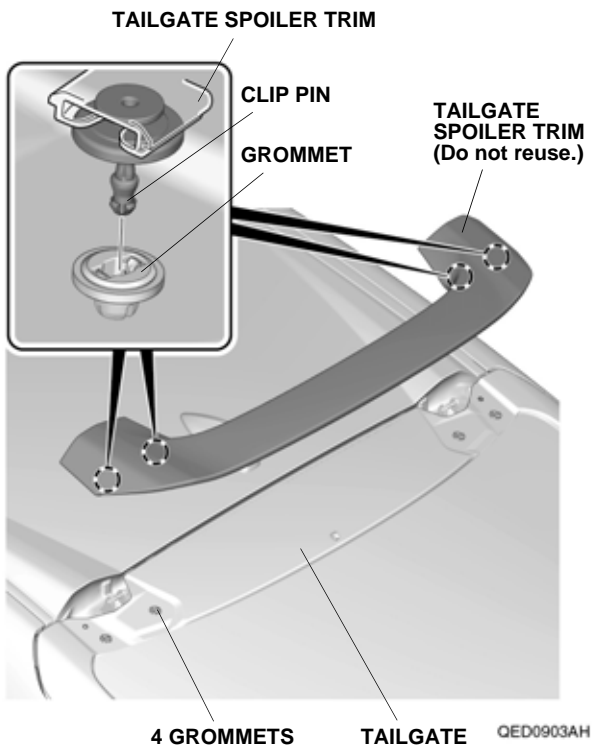
#### NOTE:

- Be careful not to damage the paint finish.
- This tailgate spoiler kit should be installed only if the ambient air temperature is 15°C (60°F) or above.
- Clean the areas to be covered.
- To allow the adhesive to cure, do not wash the vehicle for 24 hours. Make sure your customer is aware of this.

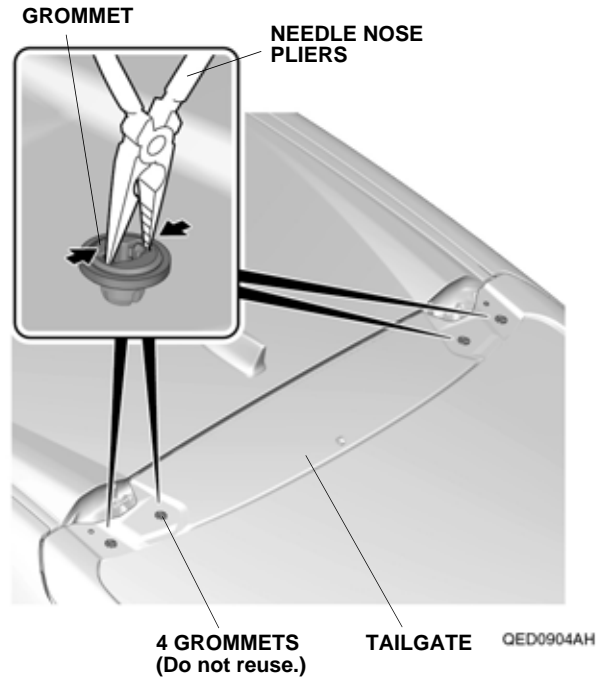
1. Remove the two bolts securing the tailgate spoiler trim.



2. Carefully pull on the tailgate spoiler trim to release the four clip pins from the grommets.  
NOTE: The grommets will stay in the tailgate.

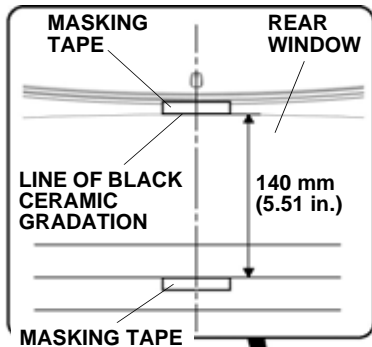


3. Remove the four grommets from the tailgate.



## Washer Nozzle Adjustment

4. Apply a strip of masking tape to the rear window in the areas shown.

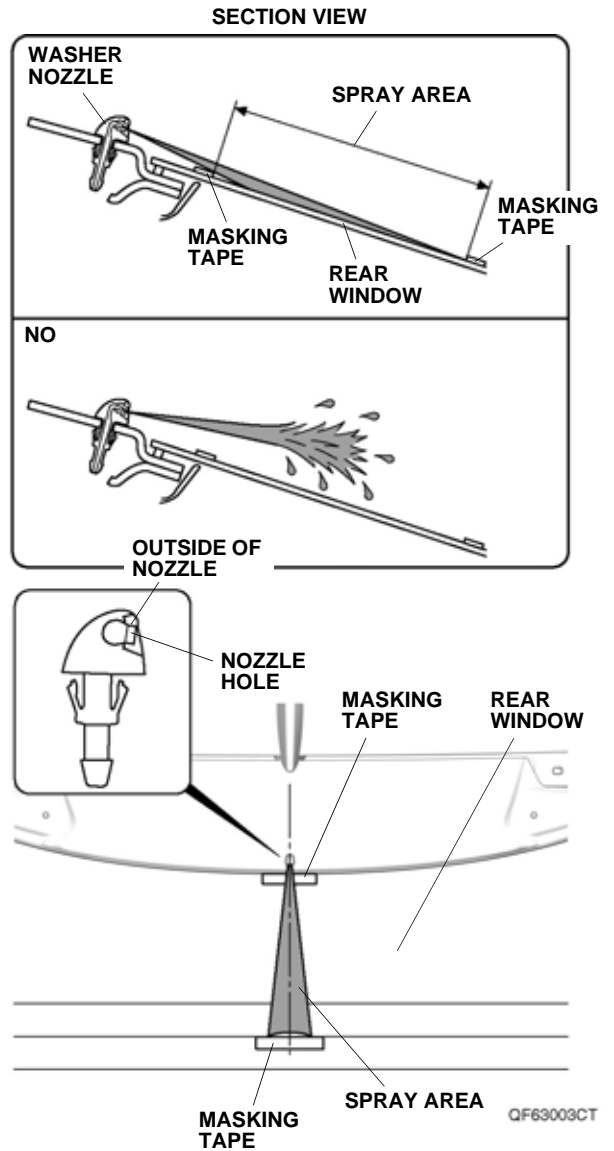


QF53610AT

5. Turn on the rear window washer and make sure the washer fluid lands within the area shown. If it is not in the correct spray area, adjust the washer nozzle as needed.

### NOTE:

- Adjust the washer nozzle by gently gripping the outside of the nozzle and then moving it.
- Do not insert tools into the nozzle hole as it may cause the washer fluid to spray incorrectly.

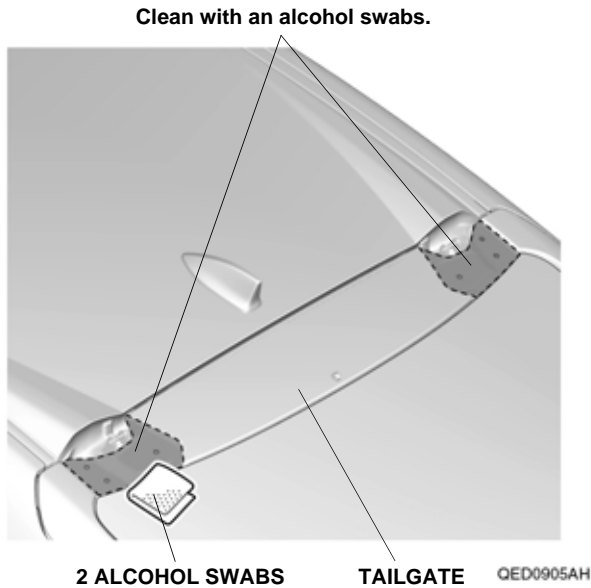


QF63003CT

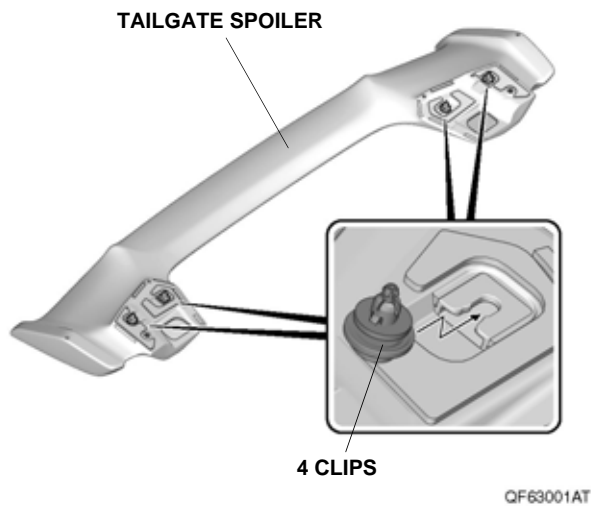
6. Remove the masking tape.

## Installing the Tailgate Spoiler

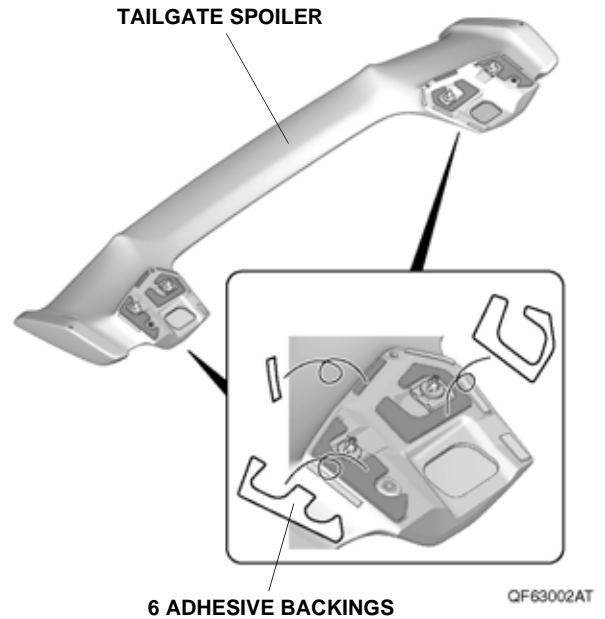
- Using two alcohol swabs, thoroughly clean the tailgate where the tailgate spoiler will attach.



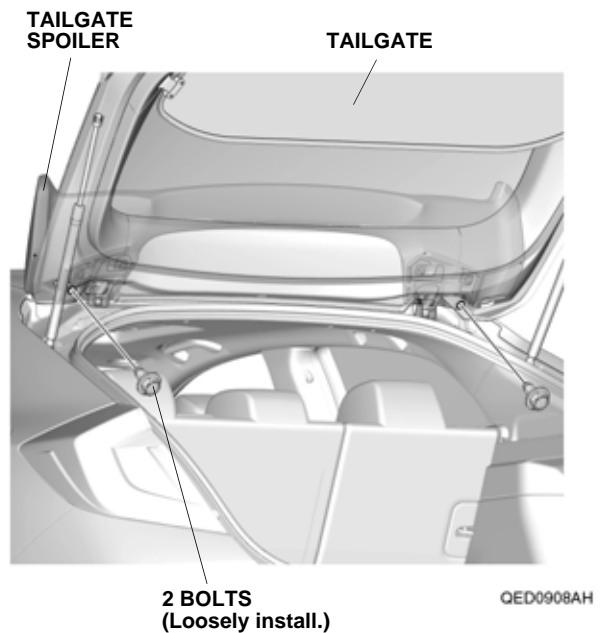
- Install the four clips on the tailgate spoiler.



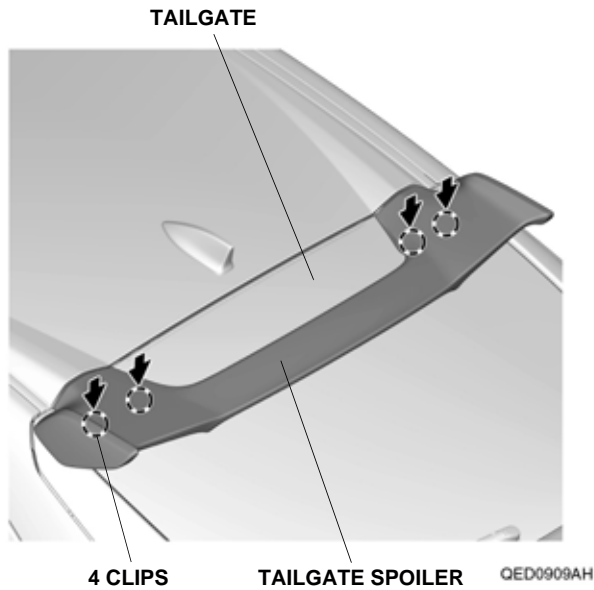
- Remove the six adhesive backings from the tailgate spoiler.



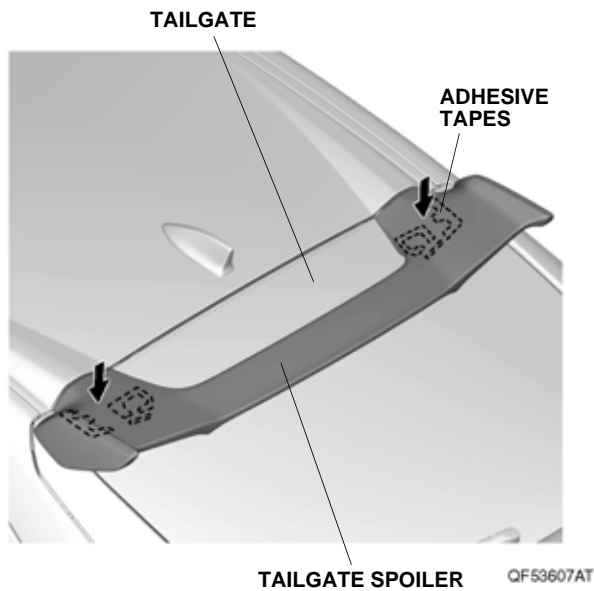
- With the help of an assistant, position the tailgate spoiler on the tailgate and loosely install the two bolts.



11. Apply pressure to the tailgate spoiler over each clip until you hear a click. Do not apply excessive pressure.



12. Hold the tailgate spoiler firmly against the tailgate over the adhesive tapes with the palm of your hand for 30 seconds.



13. Torque the two bolts loosely installed in step 10 to 2.9-6.9 N·m (2.1-5.1 lbf·ft).

