



## INSTALLATION INSTRUCTIONS

Accessory	Application	Publications No.
FRONT UNDER SPOILER P/N 08F01-TBA-100E	2019 CIVIC	VERSION 1
		Issue Date SEP 2018

### PARTS LIST

Left front under spoiler



Right front under spoiler



4 Spring nuts



4 Self-tapping screws, 5 x 18 mm



2 Self-tapping screws, 5 x 12 mm



4 Female clips



2 Clips



10 Seals



2 Alcohol wipes



### TOOLS AND SUPPLIES REQUIRED

Phillips screwdriver

Flat-tip screwdriver

Pushpin

Drill

3 mm, 6 mm, 8 mm, and 10 mm Drill bits

File

Masking tape

Diagonal cutters

Shop towel

Eye protection (face shield, safety goggles, etc.)

Blanket

5 mm Hex wrench

Ratchet

10 mm Socket

10 mm Open end wrench

*The following tools are available through the Honda Tool and Equipment Program. On the iN, click on Service > Service Bay > Tool and Equipment Program, then enter the number under "Search." Or, call 888-424-6857.*

- Rubber Roller (T/N MHLE54D)
- Trim Tool Set (T/N SOJATP2014)
- Plastic Trim Tool (T/N SILTRIMTL10)

## Illustration of the Front Under Spoilers Installed on the Vehicle



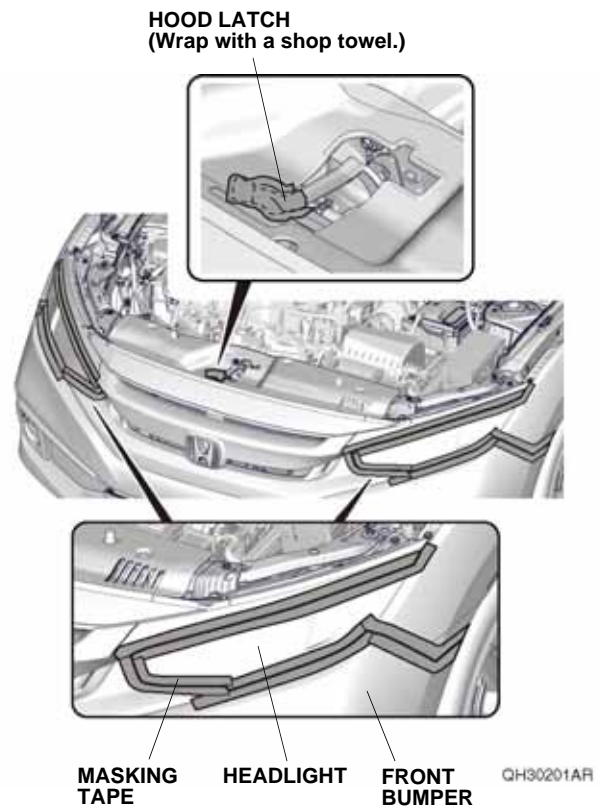
## INSTALLATION

**Customer Information:** The information in this installation instruction is intended for use only by skilled technicians who have the proper tools, equipment, and training to correctly and safely add equipment to your vehicle. These procedures should not be attempted by "do-it-yourselfers."

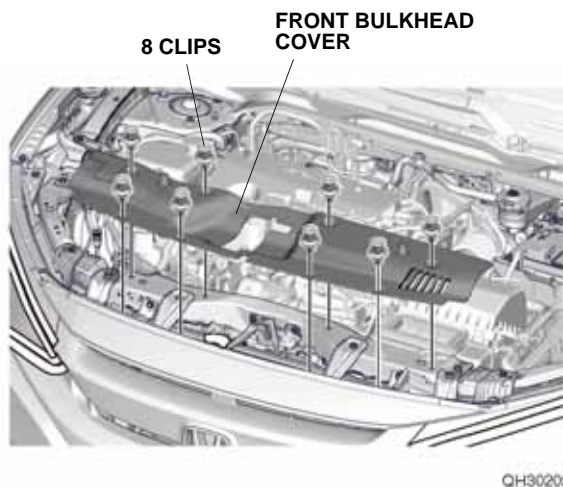
### NOTE:

- Be careful not to damage the body paint finish.
  - This front under spoilers kit should be installed only if the ambient air temperature is 60°F (15°C) or above.
  - To allow the adhesive to cure, do not wash the vehicle for 24 hours. Make sure your customer is aware of this.
1. Disconnect the negative cable from the battery.

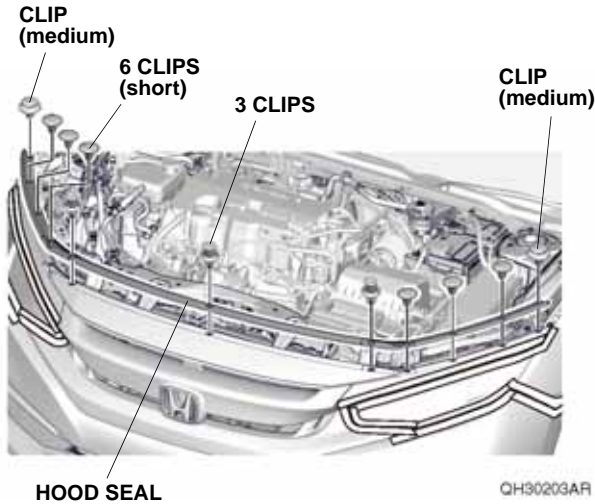
2. Remove the front bumper:
  - Attach masking tape to the areas shown on each side.
  - Wrap a shop towel around the hood latch.



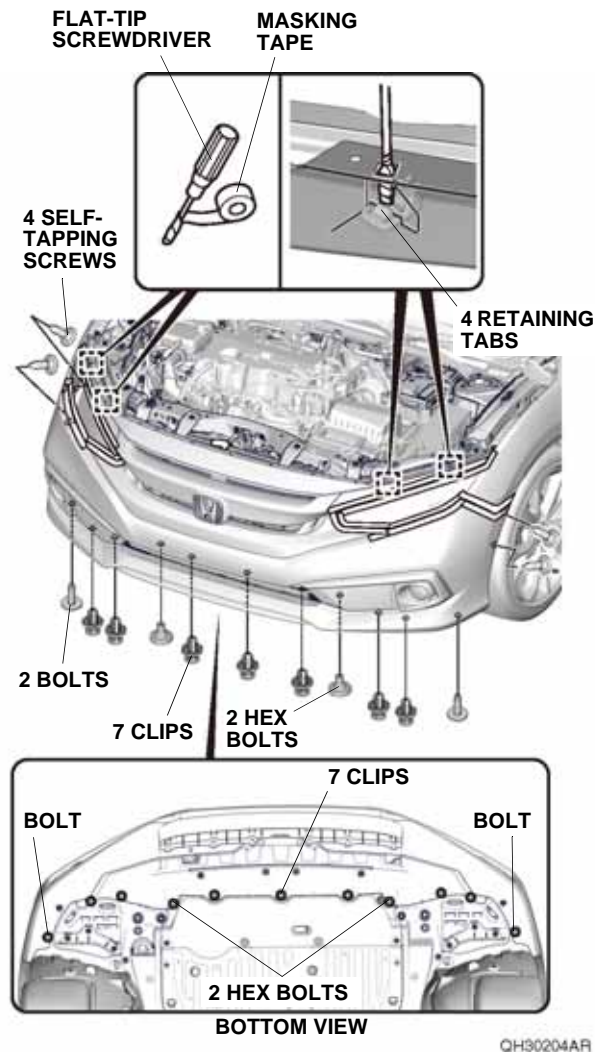
- Remove the front bulkhead cover.



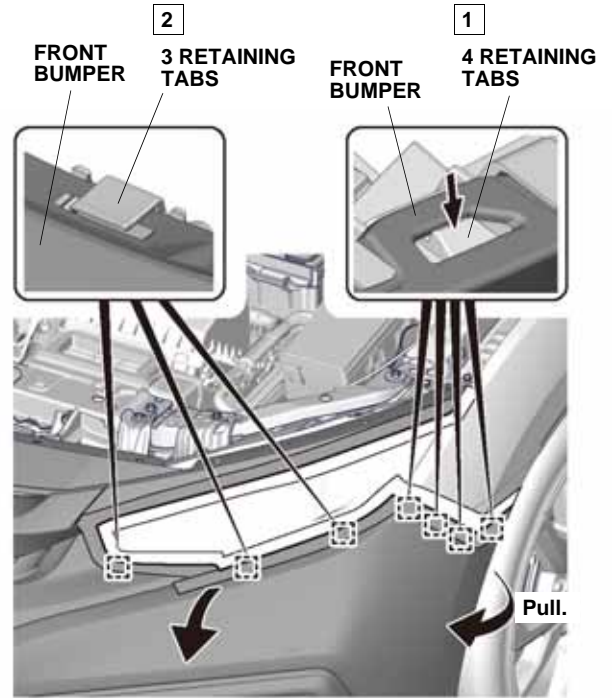
- Remove the hood seal.



- Remove four self-tapping screws, two bolts, two hex bolts, and seven clips.



- With the help of an assistant, release seven retaining tabs on each side.  
NOTE: Remove the retaining tabs in the direction and order shown.

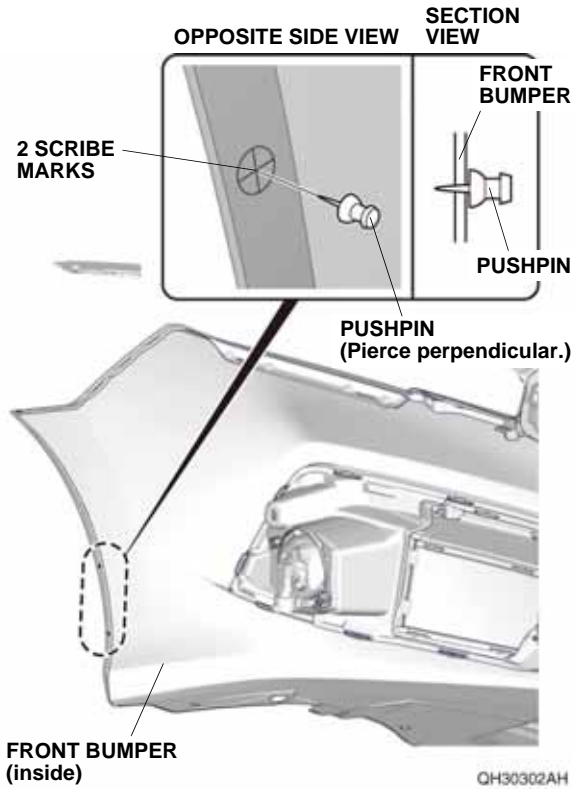


- With the help of an assistant, remove the front bumper. Place the front bumper on a blanket to prevent damage.



## Installing the Front Under Spoilers

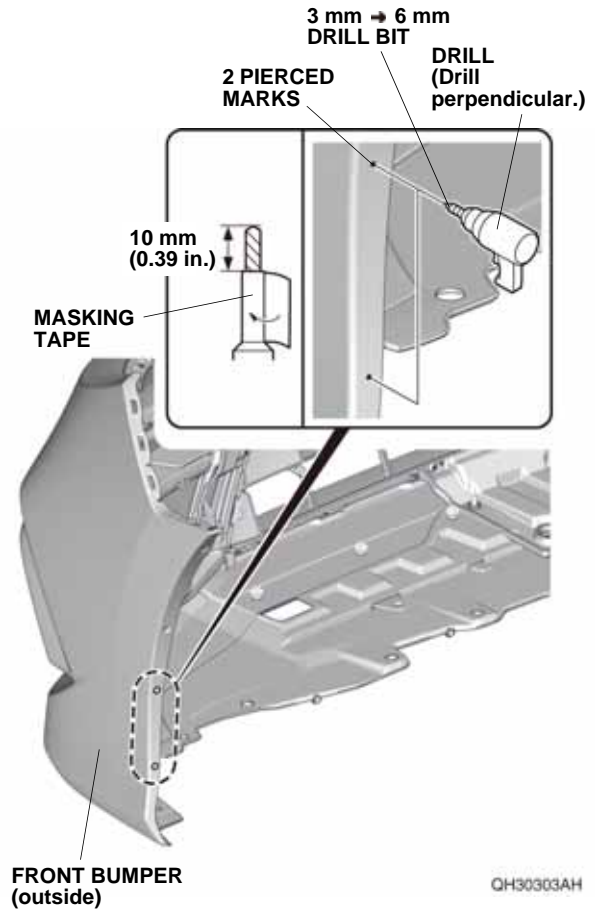
- Using a pushpin, pierce the inside of the front bumper through the center of two scribe marks.



- While wearing eye protection, drill the two pierced marks to 6 mm.

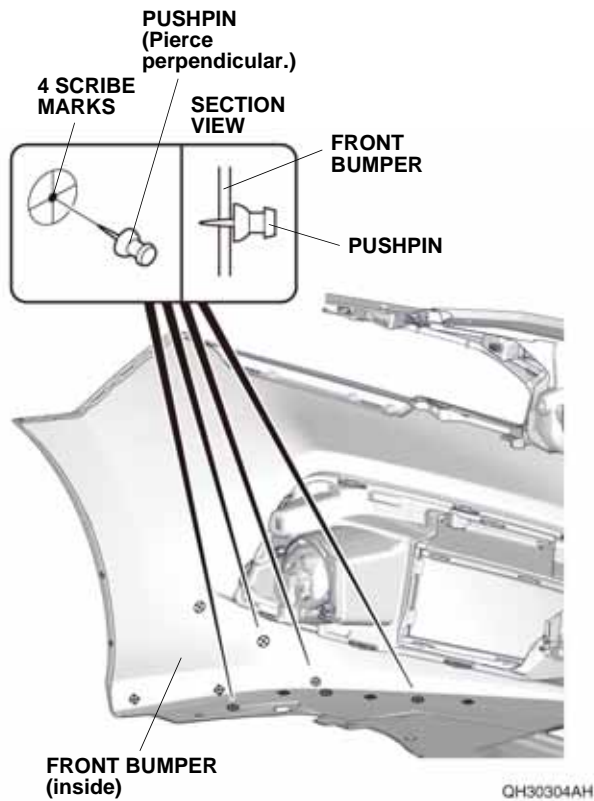
### NOTE:

- Wrap masking tape around each drill bit 10 mm (0.39 in.) away from the tip or use a drill stop.
- First drill with a 3 mm drill bit, then finish with a 6 mm drill bit.



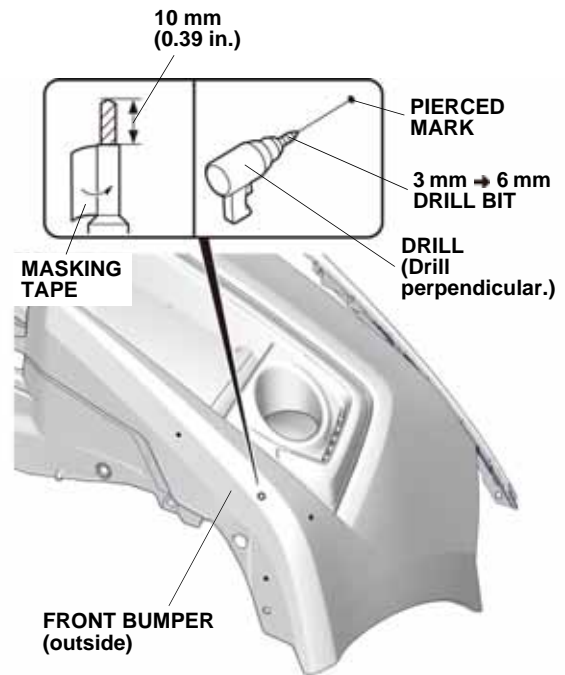
- Using a file, remove any burrs from the holes.

6. Using a pushpin, pierce the inside of the front bumper through the center of four scribe marks.
- Make sure to locate the correct scribe mark.



7. While wearing eye protection, drill the pierced mark to 6 mm.
- NOTE:

- Make sure to drill the correct position.
- Wrap masking tape around each drill bit 10 mm (0.39 in.) away from the tip or use a drill stop.
- First drill with a 3 mm drill bit, then finish with a 6 mm drill bit.

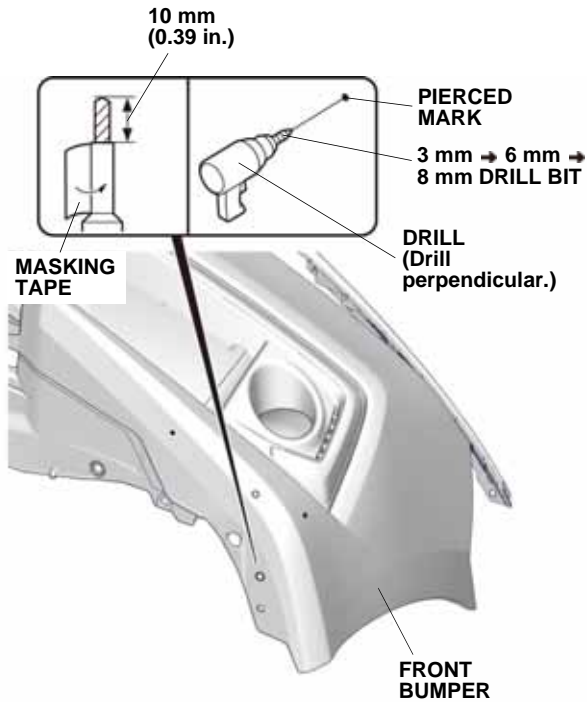


8. Using a file, remove any burrs from the hole.

9. While wearing eye protection, drill the pierced mark to 8 mm.

NOTE:

- Make sure to drill the correct position.
- Wrap masking tape around each drill bit 10 mm (0.39 in.) away from the tip or use a drill stop.
- First, drill with a 3 mm drill bit, then follow with a 6 mm drill bit, and finish with an 8 mm drill bit.

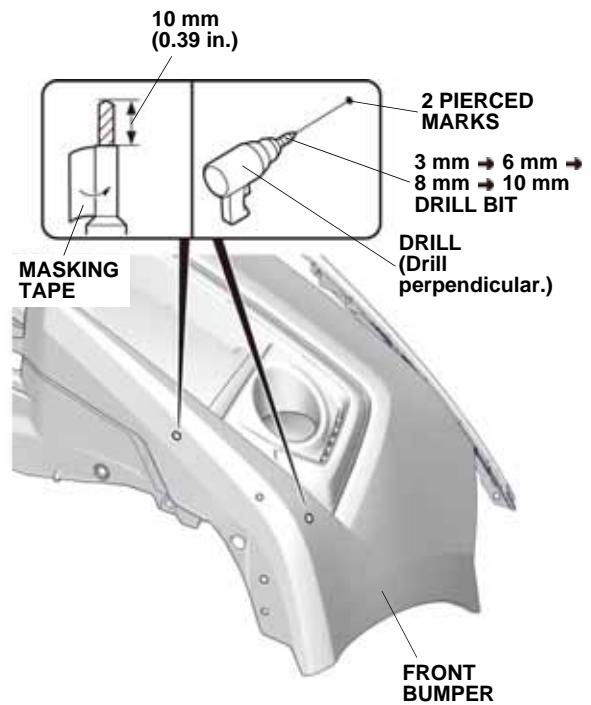


10. Using a file, remove any burrs from the hole.

11. While wearing eye protection, drill the two pierced marks to 10 mm.

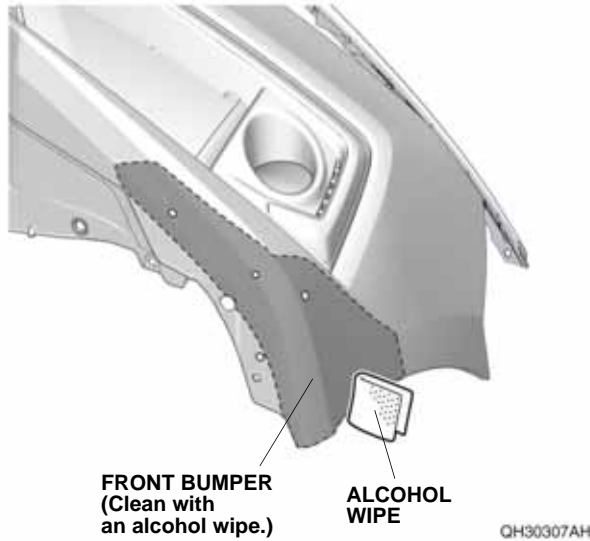
NOTE:

- Make sure to drill the correct positions.
- Wrap masking tape around each drill bit 10 mm (0.39 in.) away from the tip or use a drill stop.
- First, drill with a 3 mm drill bit, then follow with a 6 mm drill bit, an 8 mm drill bit, and finish with a 10 mm drill bit.



12. Using a file, remove any burrs from the holes.

13. Using an alcohol wipe, thoroughly clean the front bumper where the left front under spoiler will attach.

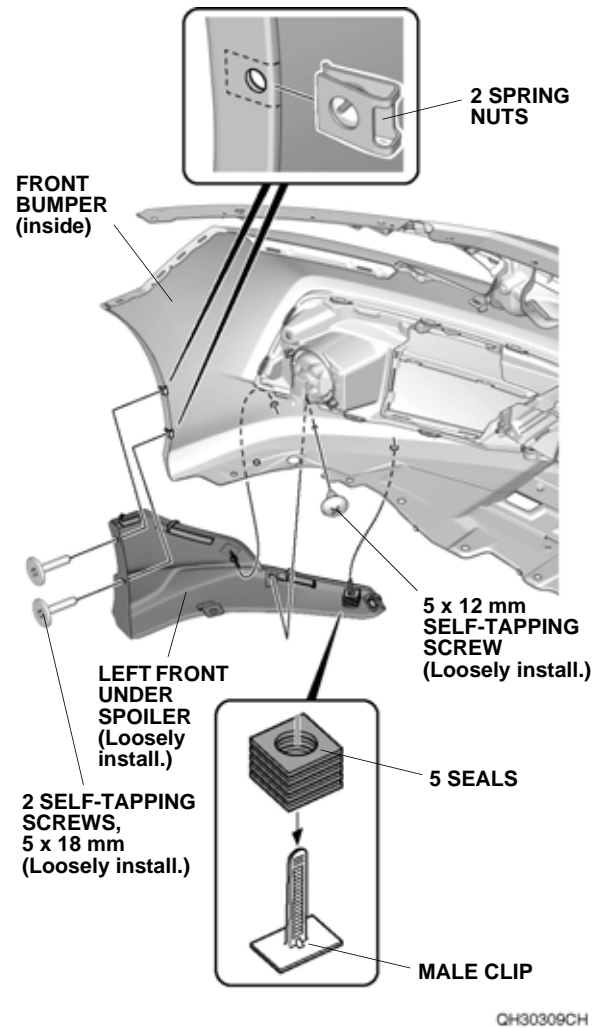


14. Peel back the adhesive backings, and tape them to the front surface of the left front under spoiler with masking tape.



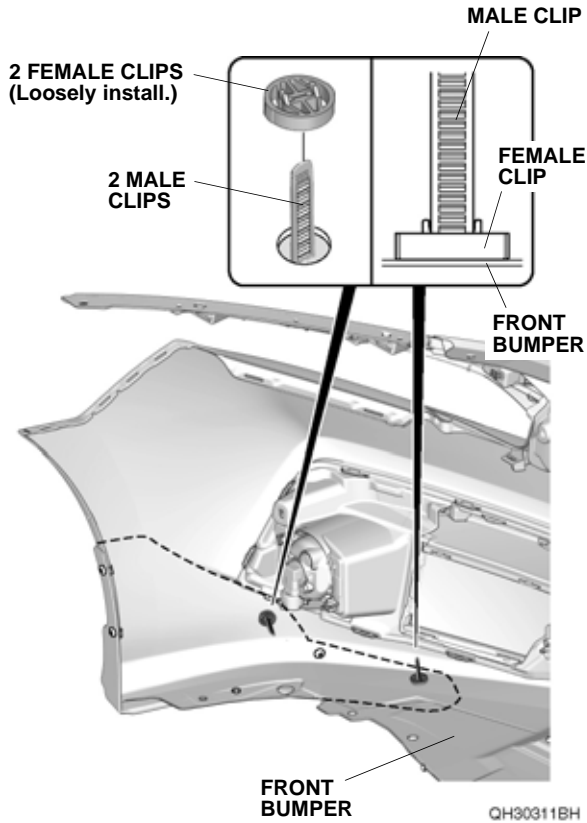
15. Install the five seals on the male clip, and install the two spring nuts over the holes in the front bumper as shown.

NOTE: Make sure to install the spring nut in the large hole facing out.

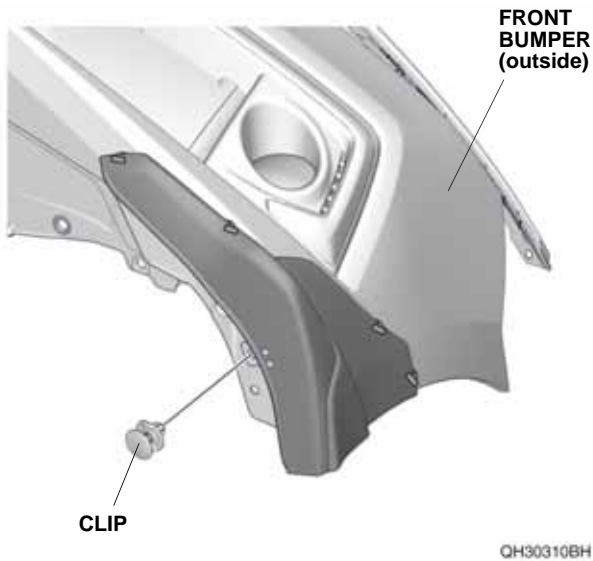


16. Install the left front under spoiler to the front bumper, and loosely install one 5 x 12 mm self-tapping screw, two 5 x 18 mm self-tapping screws.

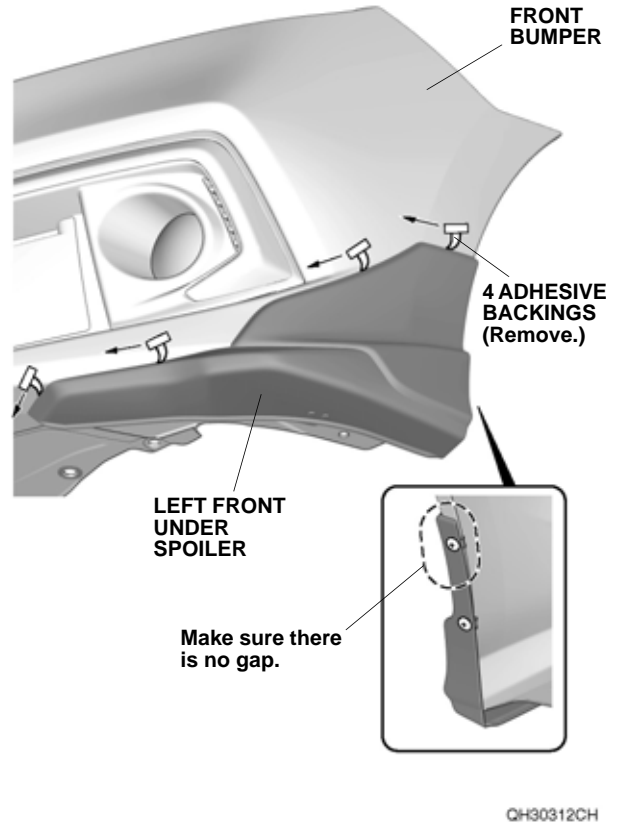
17. Loosely install the two female clips into each male clip as shown.  
NOTE: Make sure to install the female clips in the correct orientation.



18. Secure the left front under spoiler to the front bumper with one clip.

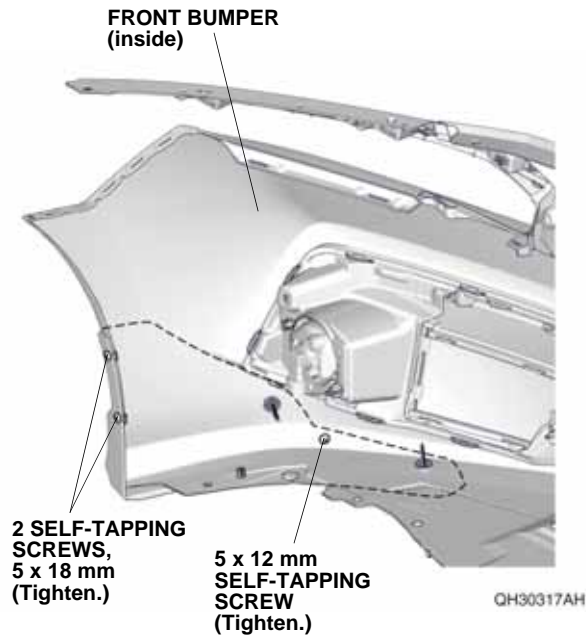


19. Remove the four adhesive backings. Press the left front under spoiler firmly against the front bumper with the palm of your hands to adhere the left front under spoiler.

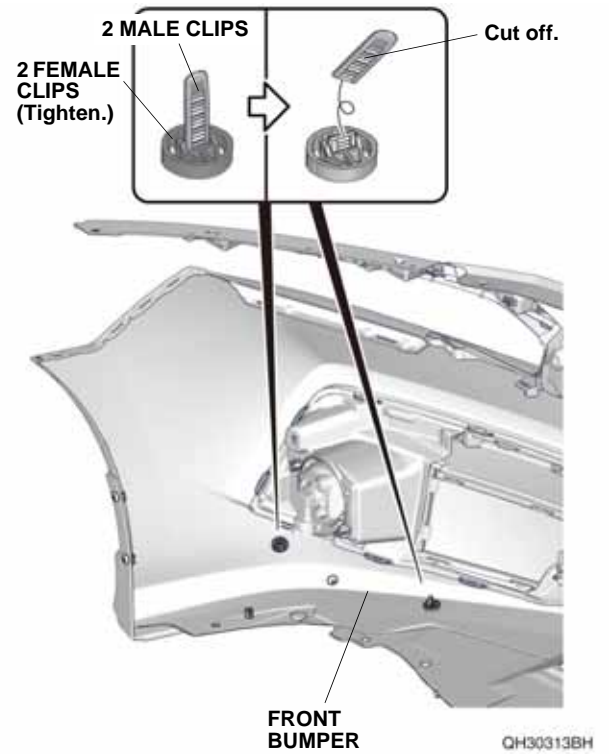




20. Tighten the one 5 x 12 mm self-tapping screw and two 5 x 18 mm self-tapping screws loosely installed in step 16.

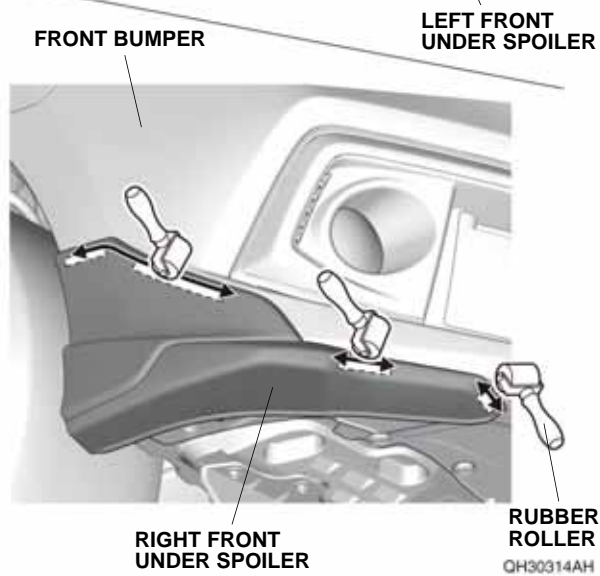
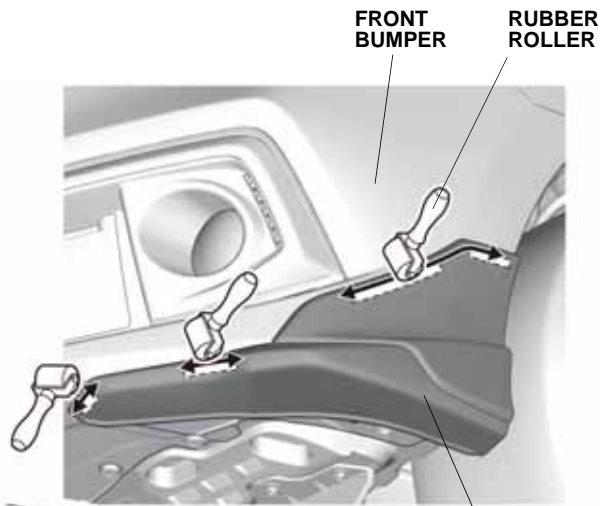


21. Tighten the two female clips loosely installed in step 17.  
NOTICE: Do not push the female clips too tight; you could deform the left front under spoiler. If necessary, readjust the female clips.



22. Repeat steps 3 through 21 on the right side of the front bumper.

23. With the help of an assistant, install the front bumper.



24. Using a rubber roller, apply firm pressure while rolling, especially at the ends, to set the adhesive.
25. Check that all wire harnesses are routed properly and all connectors are plugged in.
26. Install all removed parts.
27. Connect the negative cable to the battery.
28. Press and hold the audio unit power button for 2 seconds to restore the audio and navi (if equipped) system functions.
29. Set the clock on vehicles without navigation.

30. If necessary, restore the systems back to normal operation as described in the service information.

**Give a Copy of This Page to Your Customer**

- Before towing this vehicle, follow the instructions described in the vehicle Owner's manual.
- When using a towing hook, wind a towel or similar around the towing rope to prevent damage to the front under spoiler and vehicle.



QH30318AH