



## INSTALLATION INSTRUCTIONS

Accessory  
DOOR EDGE FILMS  
P/N 08P20-TBA-100A

Application  
2019 CIVIC  
4-DOOR

Publications No.  
**VERSION 1**  
Issue Date  
**SEP 2018**

### PARTS LIST

Left front door edge film  
(Identification mark: FR-L)



Right front door edge film  
(Identification mark: FR-R)



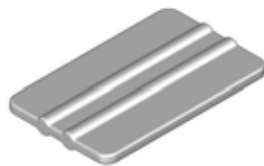
Left rear door edge film  
(Identification mark: RR-L)



Right rear door edge film  
(Identification mark: RR-R)



Applicator



Soft sleeve



2 Alcohol swabs



### TOOLS AND SUPPLIES REQUIRED

Shop towel  
Spray bottle  
3M Protective tape application solution  
Ruler

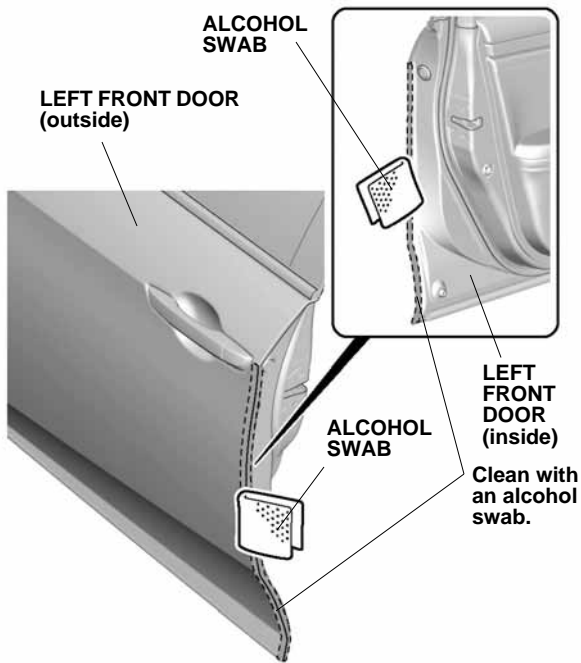
### INSTALLATION

#### NOTE:

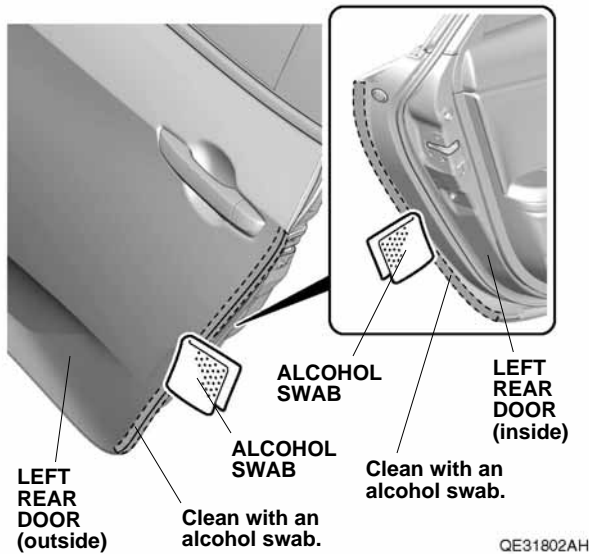
- If you are also installing side protectors (sold separately), install them after you install the door edge films.
- If you are also installing door lower trims (sold separately), install them after you install the door edge films.
- These instructions show the left door edge films being installed. The same procedure applies to installing the right door edge films.
- Identify each door edge film by referring to the identification marks.
- Be careful not to damage the paint finish.
- This door edge film kit should be installed only if the ambient air temperature is 15°C (60°F) or above.
- To allow the adhesive to cure, do not wash the vehicle for 24 hours. Make sure your customer is aware of this.

1. Open the left front door and left rear door. Using an alcohol swab, thoroughly clean the area where the left door edge films will attach.

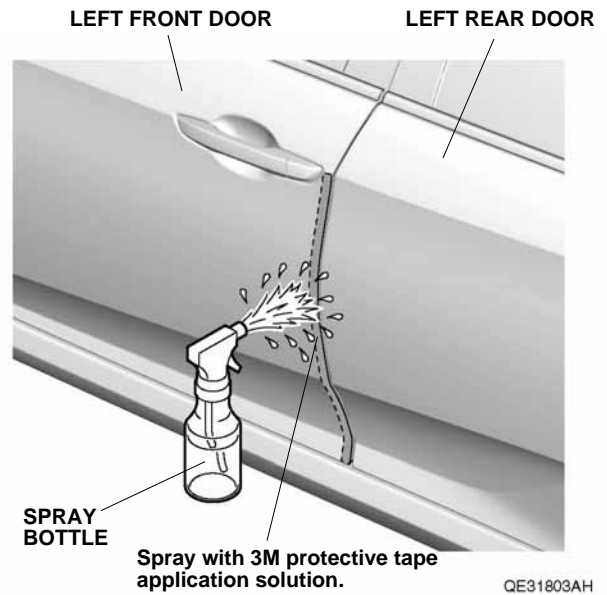
Left Front Door:



Left Rear Door:



2. Close the left front door and left rear door. Using a spray bottle with 3M protective tape application solution, spray the outer area where the left front door edge film will attach.  
NOTE: Do not spray the inner surface.

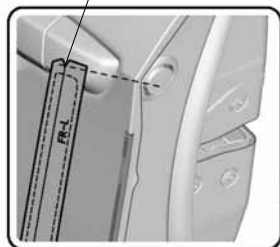


If the vehicle is equipped with side protectors, go to step 5; if not, continue to step 3.

## Without Side Protectors

- Open the left front door. Peel back about 50 mm (1.97 in.) of adhesive backing from the left front door edge film. Line up the V-notch with the bottom of the character line on the left front door as shown.

**V-NOTCH**  
(Line up with the bottom of the character line.)



**SIDE VIEW**

**LEFT FRONT DOOR EDGE FILM**  
(Identification mark: FR-L)



**CENTER LINE**  
(Line up with the edge of the left front door.)

**LEFT FRONT DOOR**

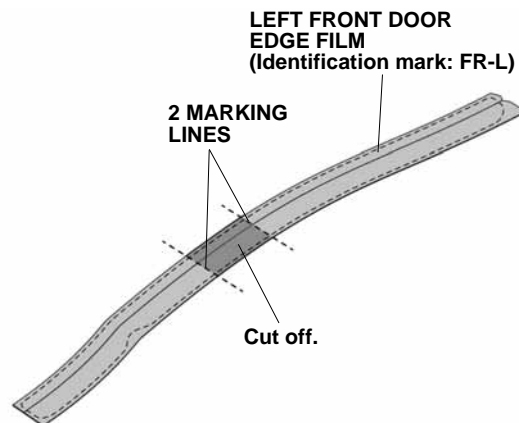
**ADHESIVE BACKING**  
(Remove.)

QE31804AH

- Line up the center line on the left front door edge film with the edge of the left front door. While applying light pressure carefully remove the adhesive backing and attach the left front door edge film to the left front door. Go to step 10.

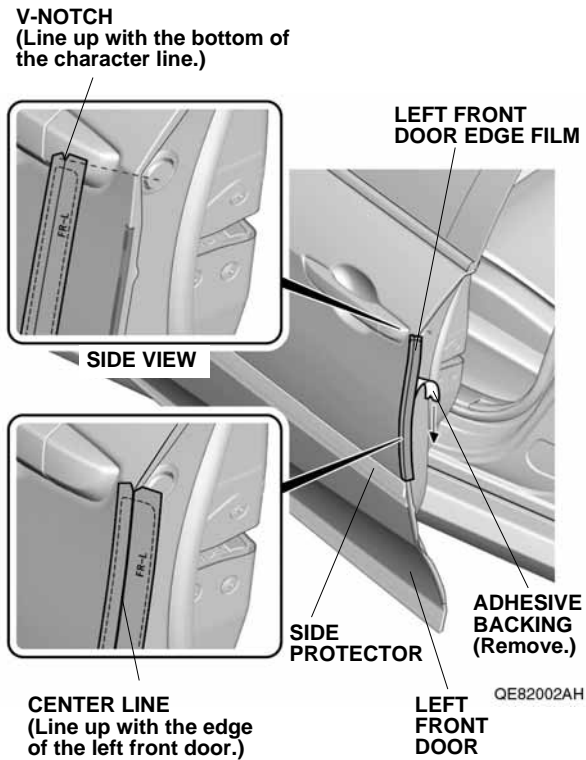
## With Side Protectors

- Using scissors, cut off the left front door edge film as shown.



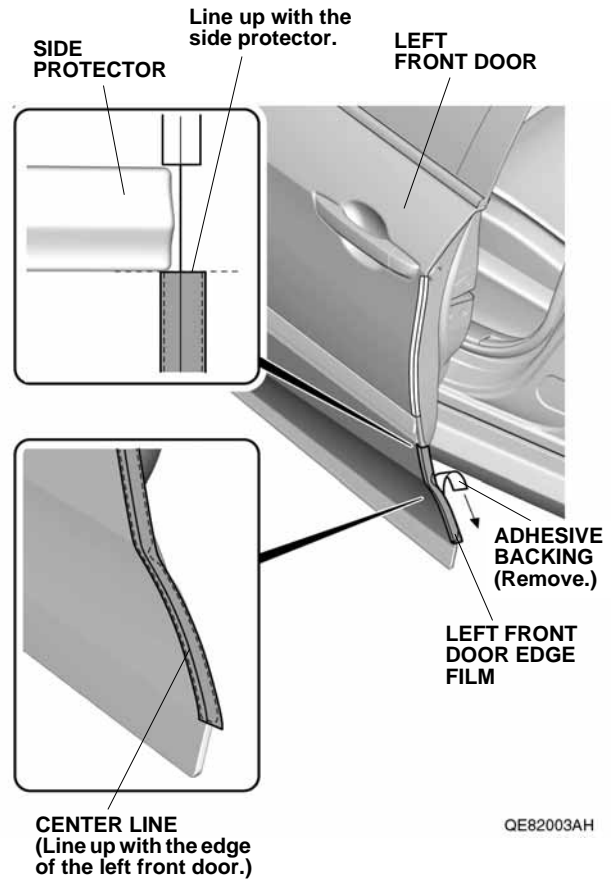
QE82001AH

6. Open the left front door. Peel back about 50 mm (1.97 in.) of adhesive backing from the upper part of left front door edge film. Line up the V-notch with the bottom of the character line on the left front door as shown.



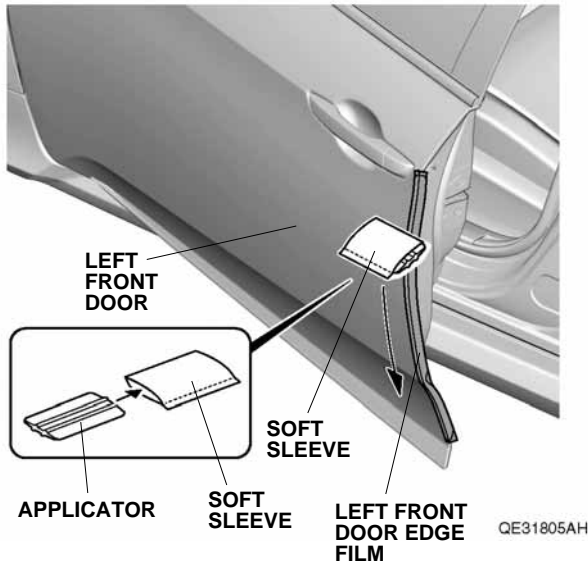
7. Line up the center line on the upper part of left front door edge film with the edge of the left front door. While applying light pressure, carefully remove the adhesive backing and attach the upper part of the left front door edge film to the left front door.

8. Peel back about 50 mm (1.97 in.) of adhesive backing from the lower part of left front door edge film. Line up the side protector on the left front door as shown.

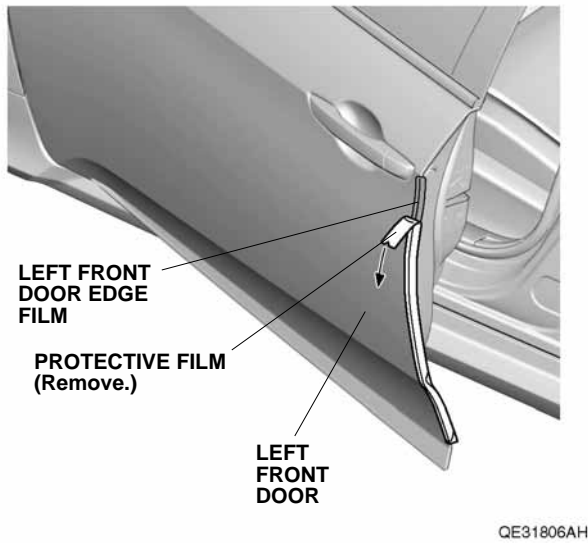


9. Line up the center line on the lower part of left front door edge film with the edge of the left front door. While applying light pressure, carefully remove the adhesive backing and attach the lower part of the left front door edge film to the left front door.

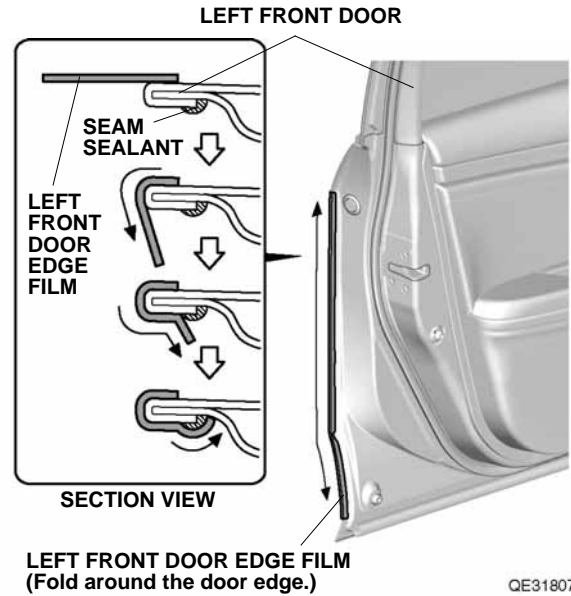
10. Insert the applicator into the soft sleeve. Starting from the top and working downward, use the soft sleeve to smooth the left front door edge film. Move the soft sleeve in one direction only.



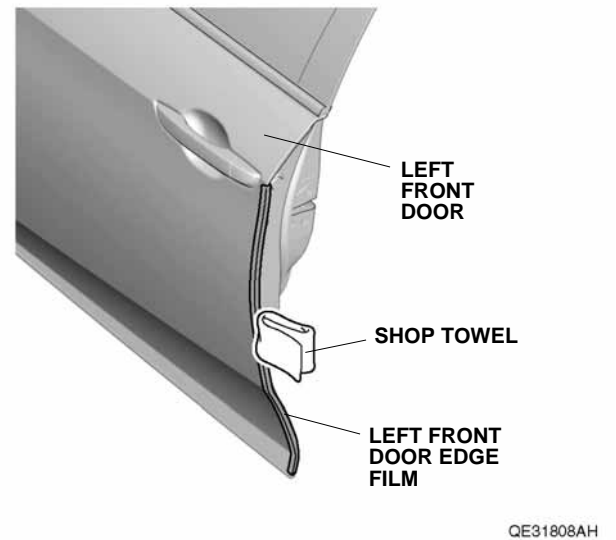
11. Slowly remove the protective film from the left front door edge film.



12. Starting from the center and working outward, use your fingers to fold the left front door edge film around the edge of the left front door as shown. Move your fingers in one direction only. Attach the left front door edge film over the seam sealant. Do not trim or damage the seam sealant.



13. Using a shop towel, wipe the excess 3M protective tape application solution from the left front door edge film. Allow the left front door edge film to dry thoroughly.



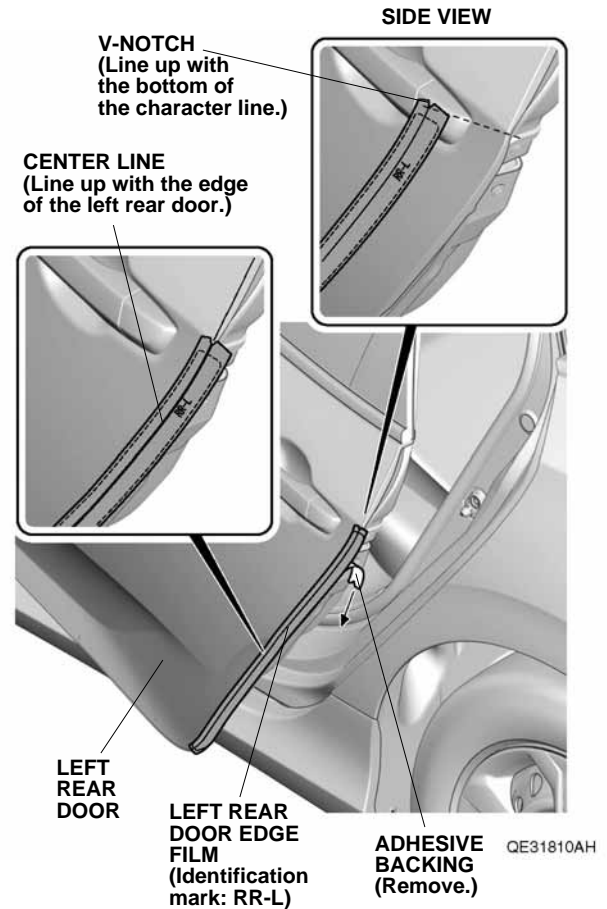
14. Using a spray bottle with 3M protective tape application solution, spray the outer area where the left rear door edge film will attach.  
NOTE: Do not spray the inner surface.



If the vehicle is equipped with door lower trims, go to step 18; if not, continue to step 15.

## Without Door Lower Trims

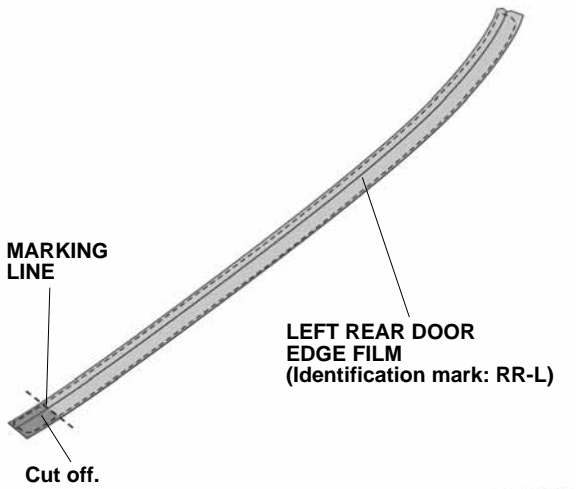
15. Open the left rear door. Peel back about 50 mm (1.97 in.) of adhesive backing from the left rear door edge film. Line up the V-notch with the bottom of the character line on the left rear door as shown.



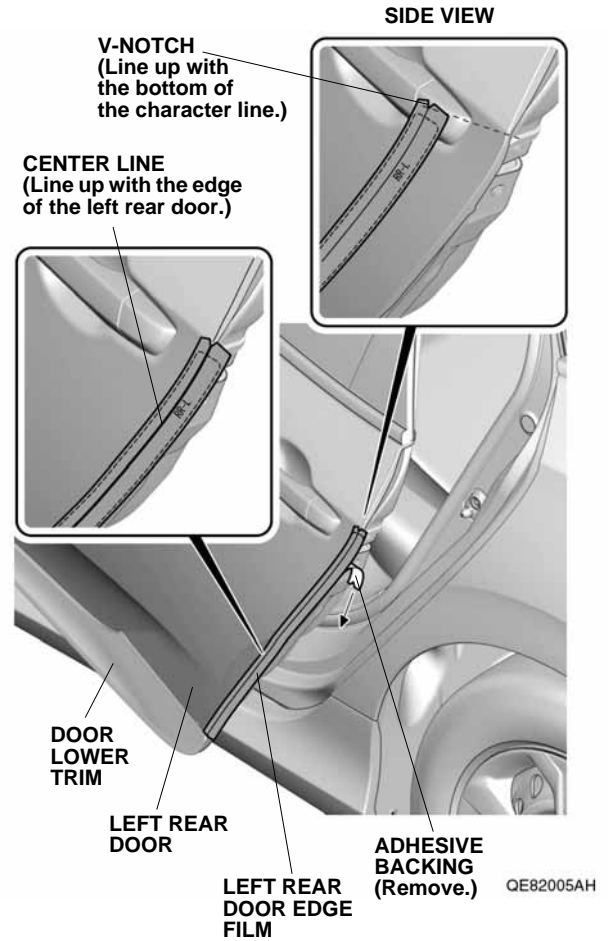
16. Line up the center line on the left rear door edge film with the edge of the left rear door. While applying light pressure, carefully remove the adhesive backing and attach the left rear door edge film to the left rear door. Go to step 20.

## With Door Lower Trims

- Using scissors, cut off the left rear door edge film as shown.

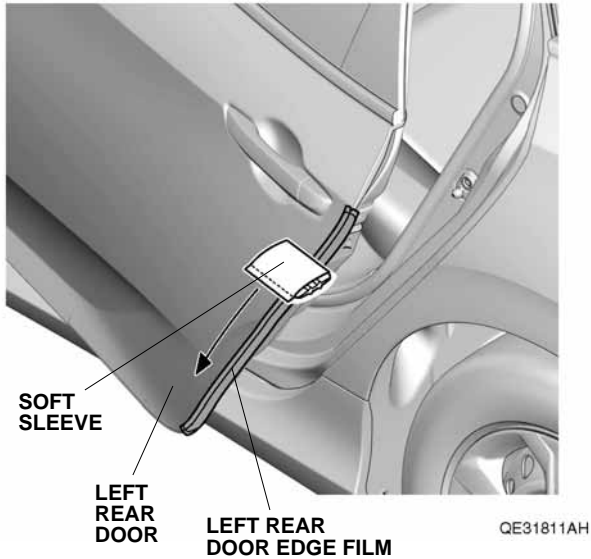


- Open the left rear door. Peel back about 50 mm (1.97 in.) of adhesive backing from the left rear door edge film. Line up the V-notch with the bottom of the character line on the left rear door as shown.

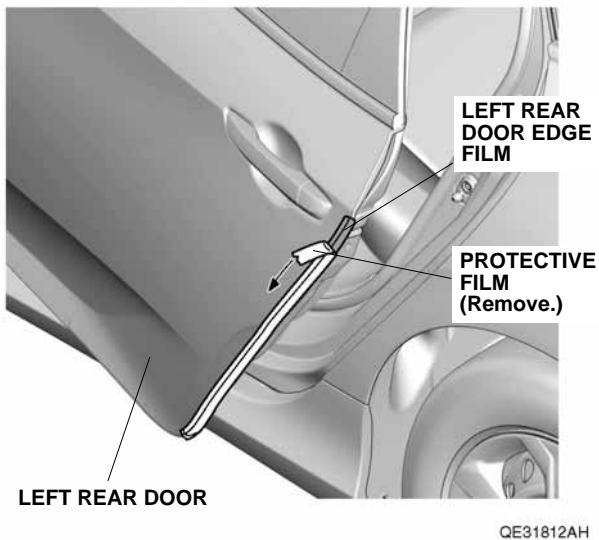


- Line up the center line on the left rear door edge film with the edge of the left rear door. While applying light pressure, carefully remove the adhesive backing and attach the left rear door edge film to the left rear door.

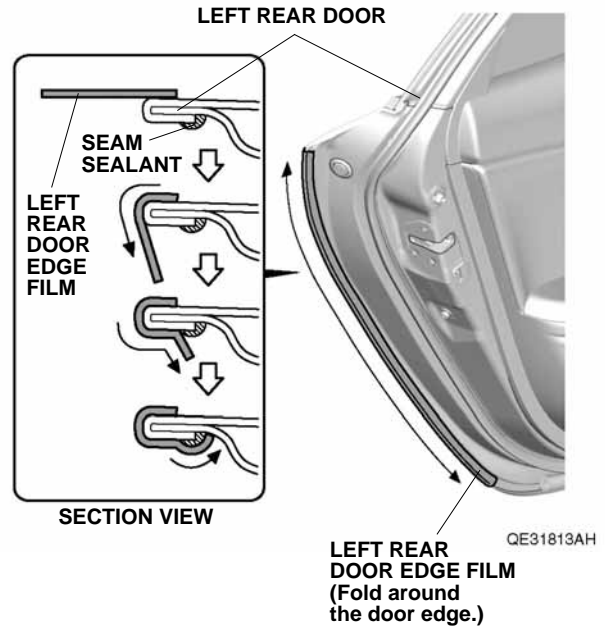
20. Starting from the top and working downward, use the soft sleeve to smooth the left rear door edge film. Move the soft sleeve in one direction only.



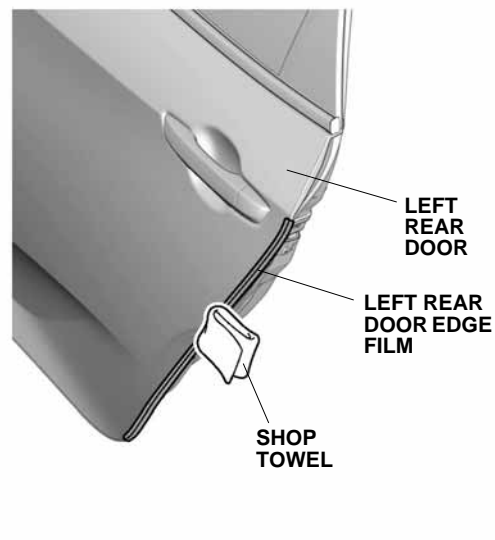
21. Slowly remove the protective film from the left rear door edge film.



22. Starting from the center and working outward, use your fingers to fold the left rear door edge film around the edge of the left rear door as shown. Move your fingers in one direction only. Attach the left rear door edge film over the seam sealant. Do not trim or damage the seam sealant.



23. Using a shop towel, wipe the excess 3M protective tape application solution from the left rear door edge film. Allow the left rear door edge film to dry thoroughly.



24. Repeat steps 1 through 23 to install the right door edge films.