



INSTALLATION INSTRUCTIONS

Accessory	Application	Publications No.
SPLASH GUARDS P/N 08P00-TBJ-100	2019 CIVIC Si 2-DOOR	VERSION 1
		Issue Date SEP 2018

PARTS LIST

Left front splash guard



Right front splash guard



Left rear splash guard



Right rear splash guard



10 Self-tapping screws



2 Spring nuts



2 Clips



TOOLS AND SUPPLIES REQUIRED

Phillips screwdriver

Stubby Phillips screwdriver

Pushpin

The following tools are available through the Honda Tool and Equipment Program. On the iN, click on Service > Service Bay > Tool and Equipment Program, then enter the number under "Search." Or, call 888-424-6857.

- Trim Tool Set (T/N SOJATP2014)
- Plastic Trim Tool (T/N SILTRIMTL10)

INSTALLATION

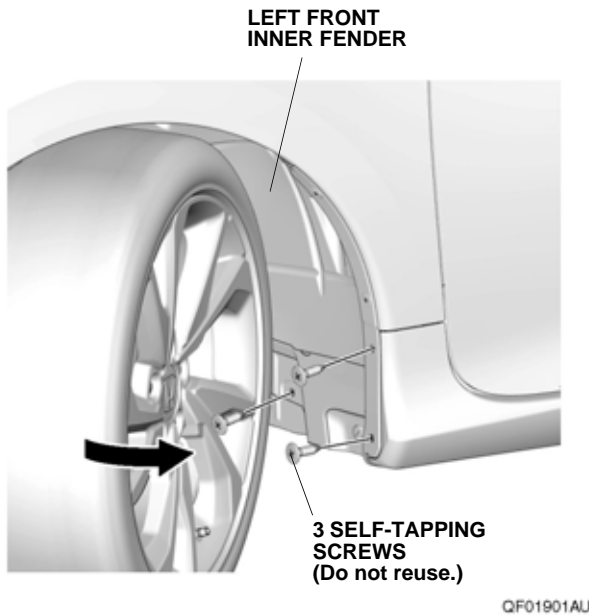
Customer Information: The information in this installation instruction is intended for use only by skilled technicians who have the proper tools, equipment, and training to correctly and safely add equipment to your vehicle. These procedures should not be attempted by "do-it-yourselfers."

NOTE:

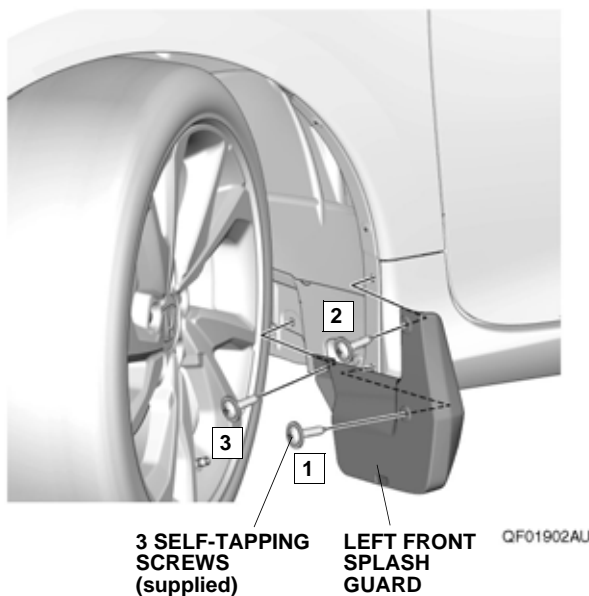
- Be careful not to damage the paint finish.
- Clean the areas to be covered.

Installing the Front Splash Guards

1. Turn the steering wheel fully counterclockwise.

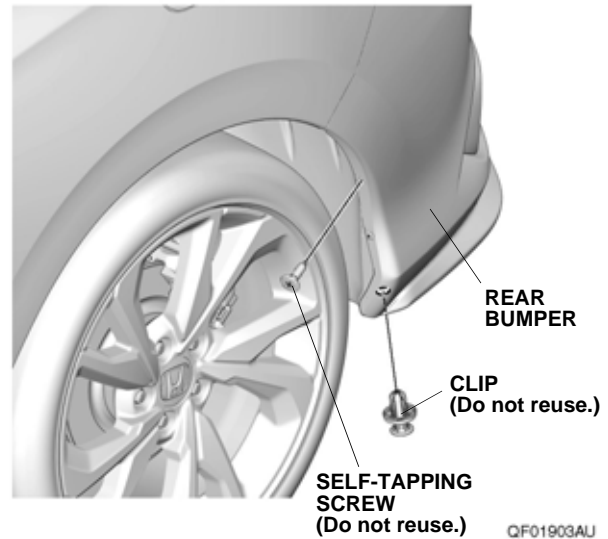


2. Remove the three self-tapping screws from the left front inner fender.
3. Secure the left front splash guard with three self-tapping screws in the order shown below.
NOTE: Make sure there is no gap between the left front splash guard and the vehicle body. If there is a gap, loosen the self-tapping screws, hold the splash guard against the body, and retighten the self-tapping screws.

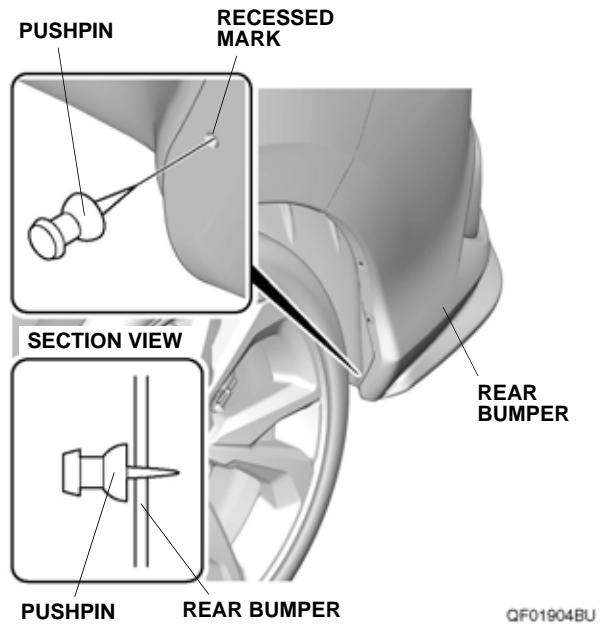


Installing the Rear Splash Guards

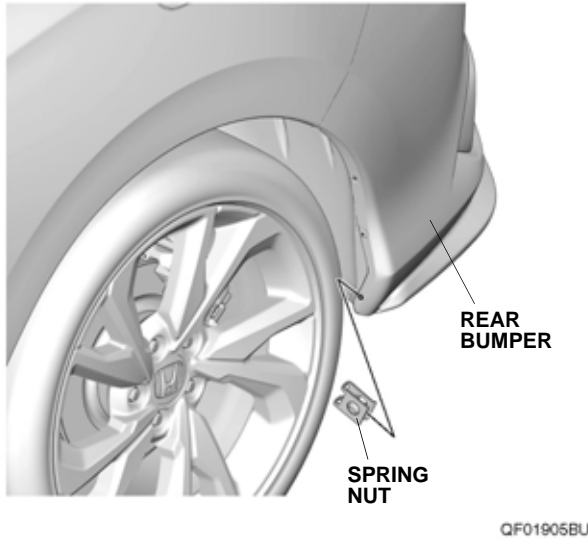
4. Remove the self-tapping screw and clip from the rear bumper.



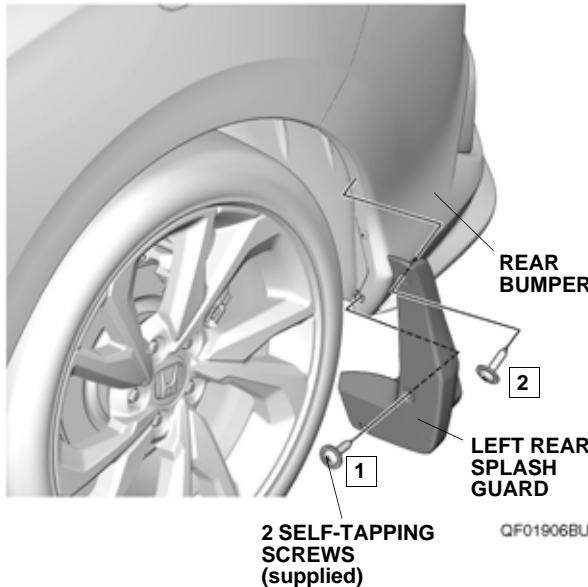
5. Locate the recessed mark. Using a pushpin, pierce the rear bumper at the recessed mark.



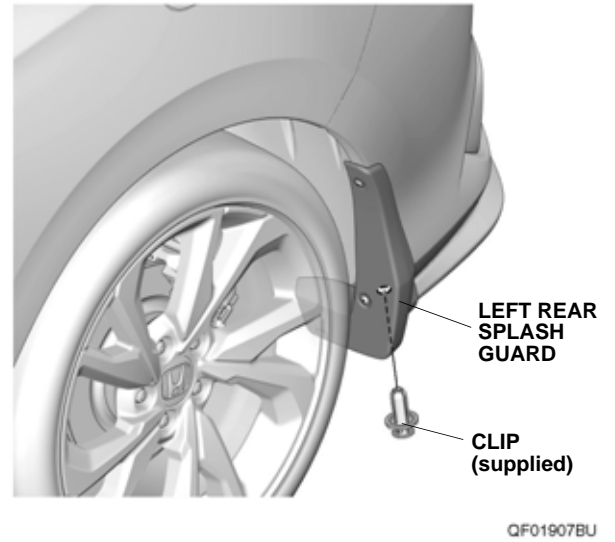
6. Install the spring nut on the rear bumper. Make sure to install the spring nut in the correct position and orientation.



7. Secure the left rear splash guard with two self-tapping screws in the order shown below.
NOTE: Make sure there is no gap between the left rear splash guard and the bumper. If there is a gap, loosen the self-tapping screws, hold the splash guard against the bumper, and retighten the self-tapping screws.



8. Secure the left rear splash guard with one clip.



9. Turn the steering wheel fully clockwise and repeat steps 2 through 8 to install the right splash guards.