



## INSTALLATION INSTRUCTIONS

Accessory  
**CARGO TRAY**  
 P/N 08U45-TGG-100A

Application  
**2018 CIVIC**  
**5-DOOR (SPORT)**

Publications No.  
**VERSION 1**  
 Issue Date  
**AUG 2017**

### PARTS LIST

Cargo tray

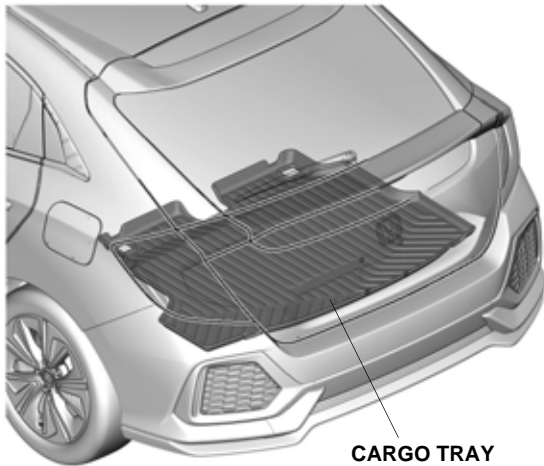


### TOOLS AND SUPPLIES REQUIRED

Utility knife

File

*Illustration of the Cargo Tray Installed in the Vehicle*



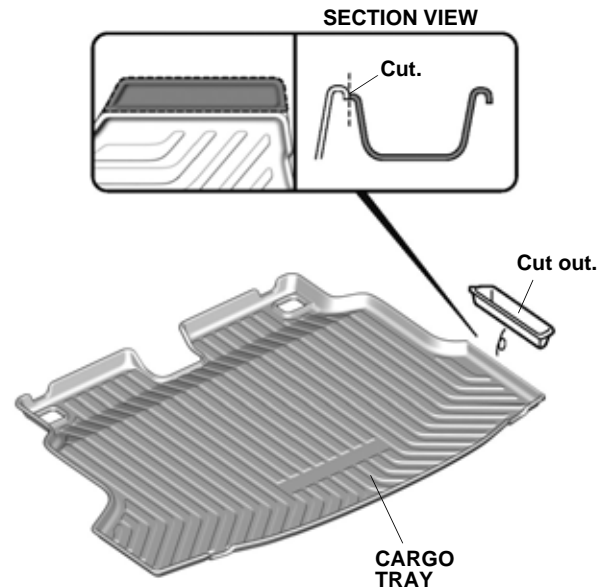
CARGO TRAY

QF20901AJ

### INSTALLATION

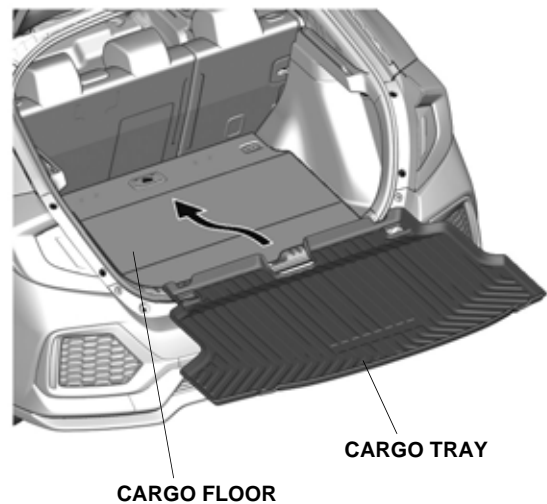
If the vehicle is equipped with premium audio, continue with step 1; if not, go to step 2.

- Using a utility knife, cut out the cargo tray as shown. Remove any burrs.



QF20902AJ

- Open the tailgate. Place the cargo tray on the cargo floor.



QF20903AJ