



## INSTALLATION INSTRUCTIONS

Accessory	Application	Publications No.
INTERIOR PANELS P/N 08Z03-TEA-100	2017 CIVIC TYPE R	VERSION 1
		Issue Date OCT 2017

### PARTS LIST

Driver's outer panel



Driver's inner panel



Passenger's panel



Escutcheon panel



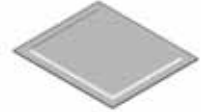
Left front door panel



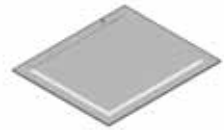
Right front door panel



2 Alcohol wipes



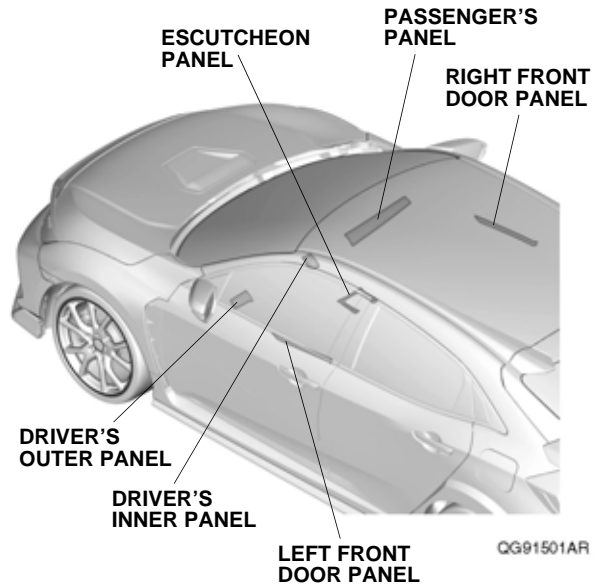
2 Primers



### TOOLS AND SUPPLIES REQUIRED

Masking tape

*Illustration of the Interior Panels Installed in the Vehicle*

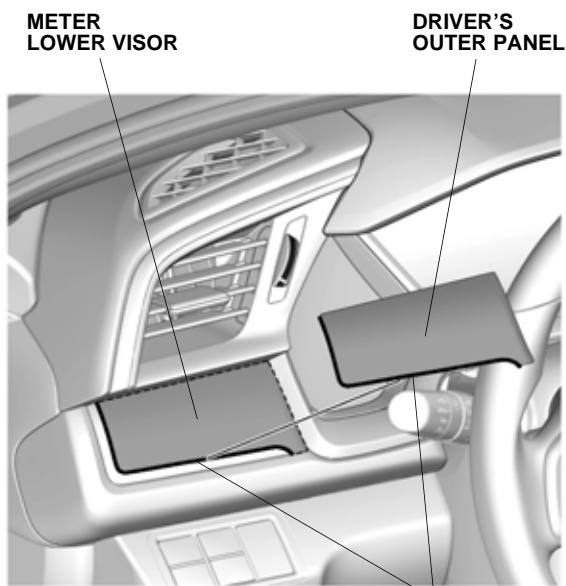


## INSTALLATION

**Customer Information:** The information in this installation instruction is intended for use only by skilled technicians who have the proper tools, equipment, and training to correctly and safely add equipment to your vehicle. These procedures should not be attempted by “do-it-yourselfers.”

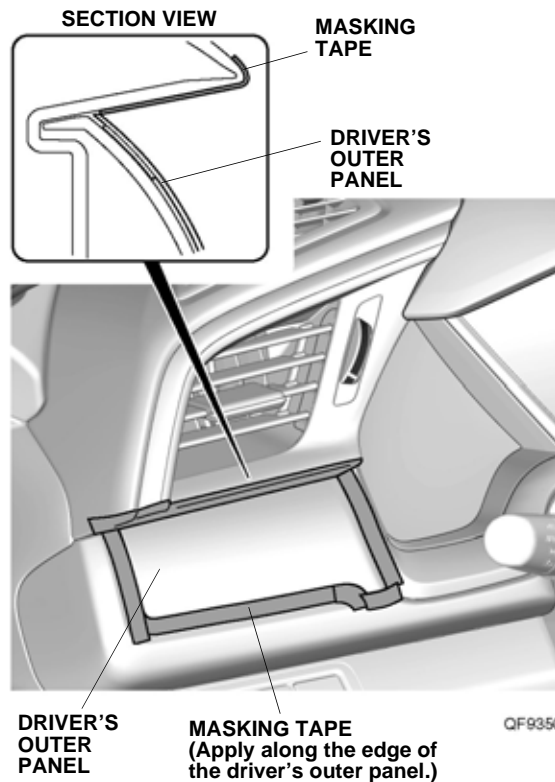
**NOTE:** This kit should be installed only if the ambient air temperature is 15°C (60°F) or above.

1. Line up the driver's outer panel with the meter lower visor.

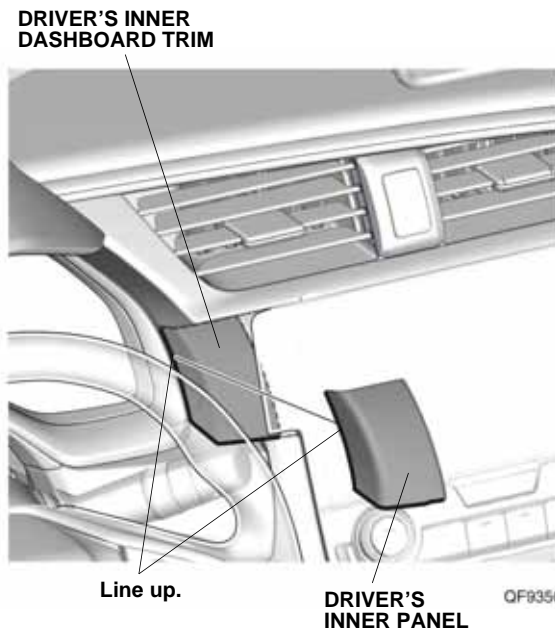


Line up. QF93501BH

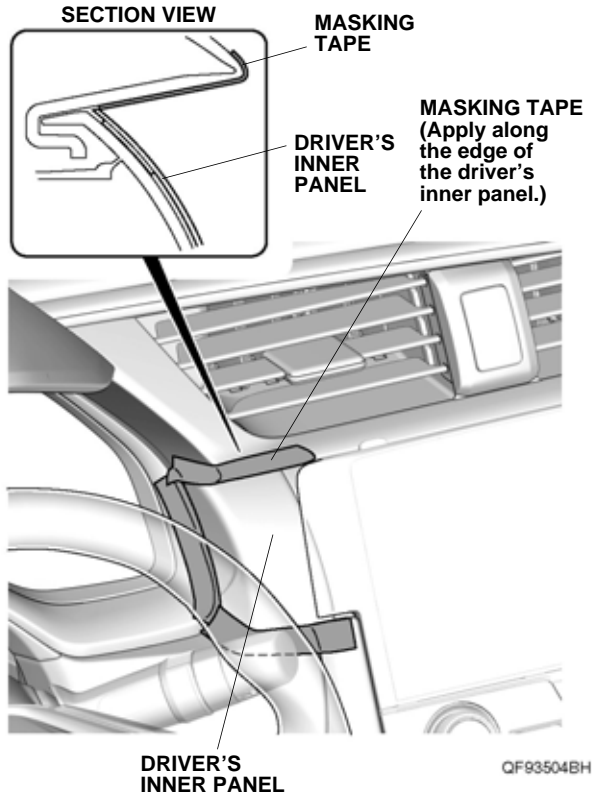
2. Apply masking tape as shown.



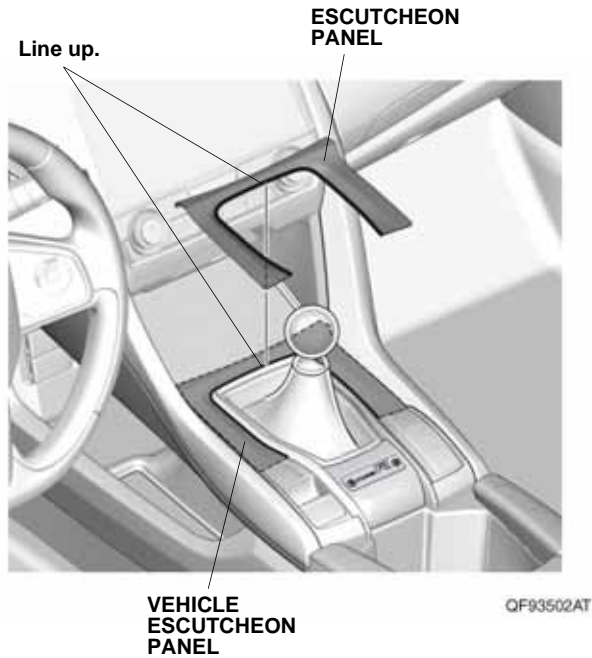
3. Remove the driver's outer panel.
4. Line up the driver's inner panel with the driver's inner dashboard trim.



5. Apply masking tape as shown.



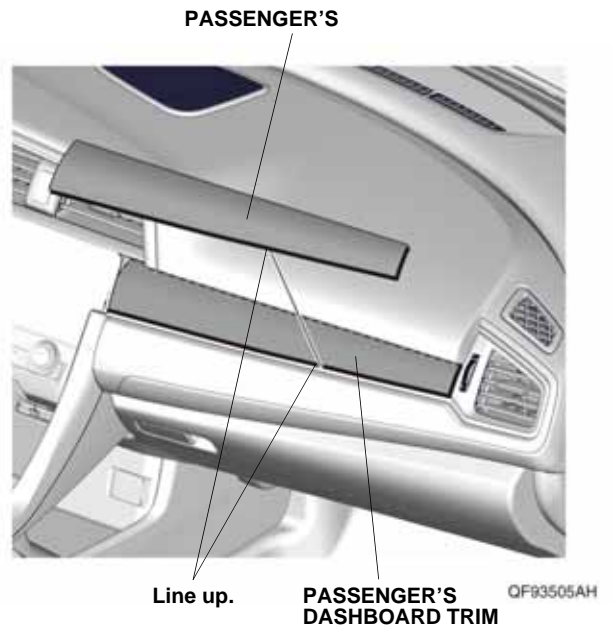
6. Remove the driver's inner panel.
7. Line up the escutcheon panel with the vehicle escutcheon panel.



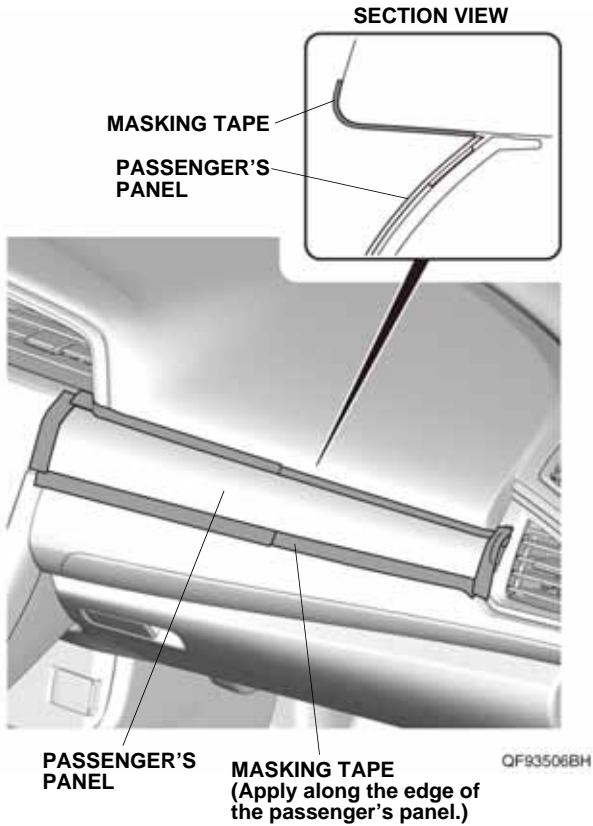
8. Apply masking tape as shown.



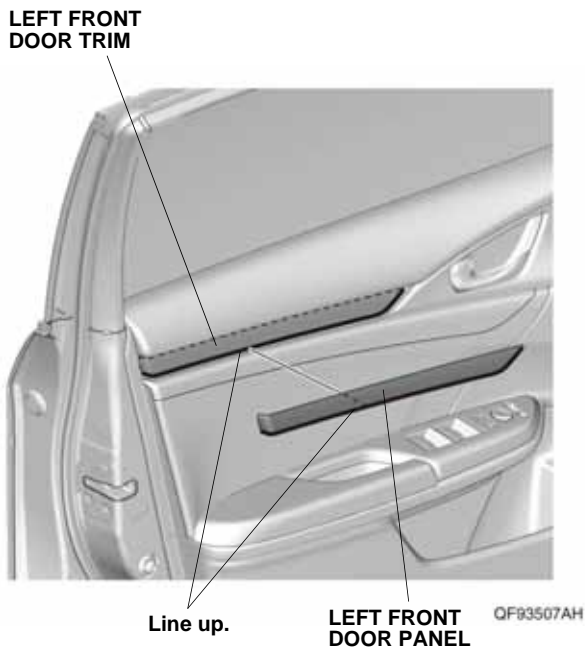
9. Remove the escutcheon panel.
10. Line up the passenger's panel with the passenger's dashboard trim.



11. Apply masking tape as shown.



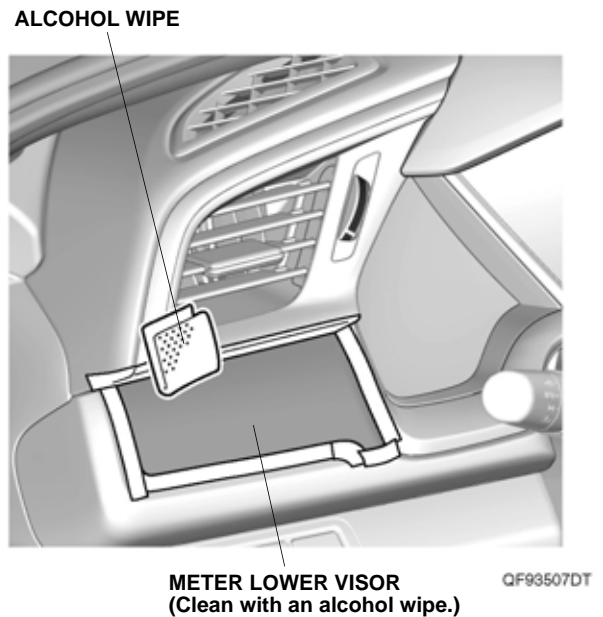
12. Remove the passenger's panel.  
13. Line up the left front door panel with the left front door trim panel.



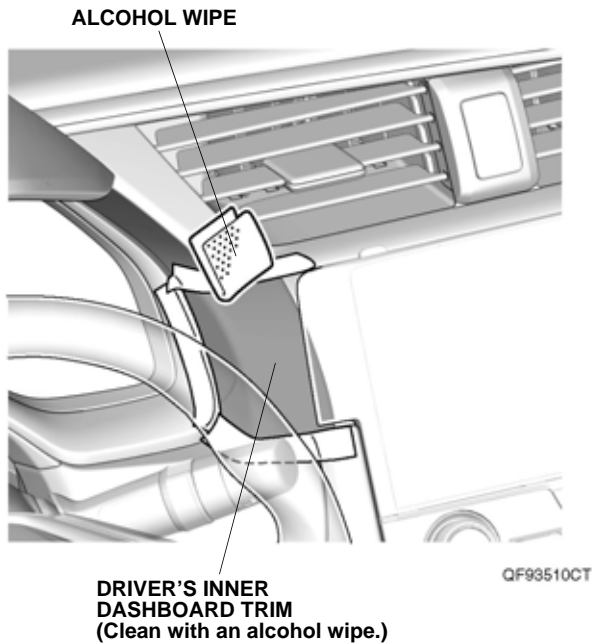
14. Apply masking tape as shown.



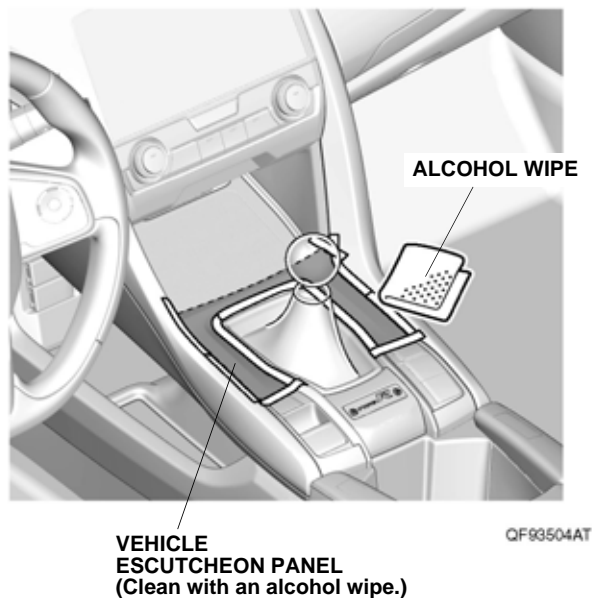
15. Remove the left front door panel.  
16. Repeat steps 13 through 15 on the right side of the vehicle.  
17. Using an alcohol wipe, thoroughly clean the meter lower visor where the driver's outer panel will attach.



18. Using an alcohol wipe, thoroughly clean the driver's inner dashboard trim where the driver's inner panel will attach.



19. Using an alcohol wipe, thoroughly clean the vehicle escutcheon panel where the escutcheon panel will attach.



20. Using an alcohol wipe, thoroughly clean the passenger's dashboard trim where the passenger's panel will attach.



21. Using an alcohol wipe, thoroughly clean the left front door trim panel where the left front door panel will attach.



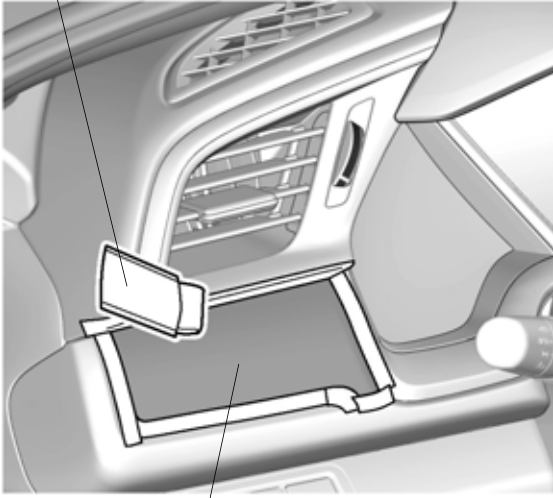
22. Repeat step 21 on the right side of the vehicle.

23. Apply the primer to the meter lower visor where the driver's outer panel will attach.

**NOTE:**

- Apply the primer evenly.
- Be careful not to apply the primer anywhere except to the indicated area.
- Do not apply additional primer.
- Wait 10 minutes for the primer to dry before attaching the driver's outer panel.
- Do not use an expired primer.

**PRIMER**



**METER LOWER VISOR**  
(Wait 10 minutes for  
the primer to dry.)

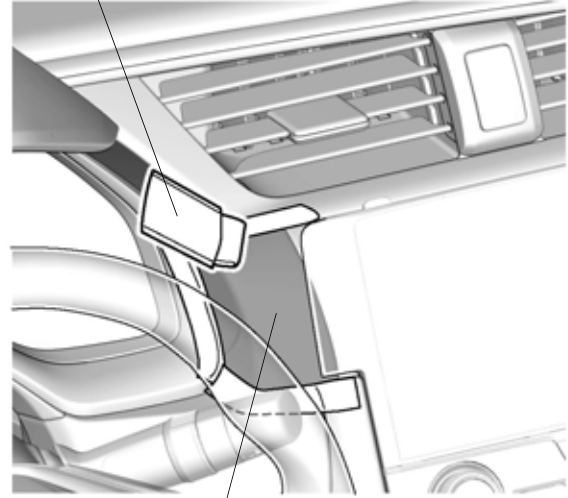
QF93523AH

24. Apply the primer to the driver's inner dashboard trim where the driver's inner panel will attach.

**NOTE:**

- Apply the primer evenly.
- Be careful not to apply the primer anywhere except to the indicated area.
- Do not apply additional primer.
- Wait 10 minutes for the primer to dry before attaching the driver's inner panel.
- Do not use an expired primer.

**PRIMER**



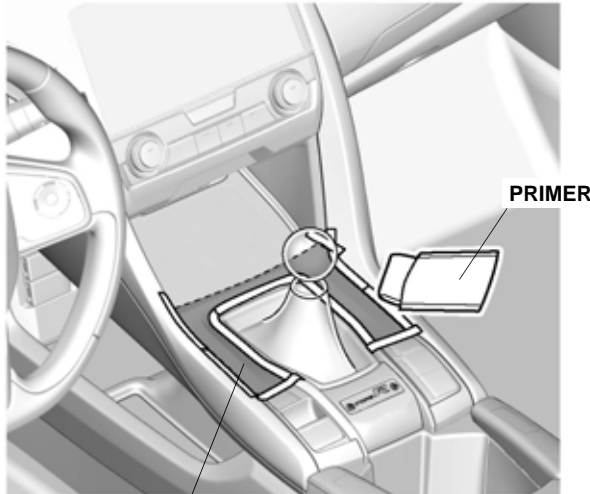
**DRIVER'S INNER  
DASHBOARD TRIM**  
(Wait 10 minutes for  
the primer to dry.)

QF93524AH

25. Apply the primer to the vehicle escutcheon panel where the escutcheon panel will attach.

NOTE:

- Apply the primer evenly.
- Be careful not to apply the primer anywhere except to the indicated area.
- Do not apply additional primer.
- Wait 10 minutes for the primer to dry before attaching the escutcheon panel.
- Do not use an expired primer.



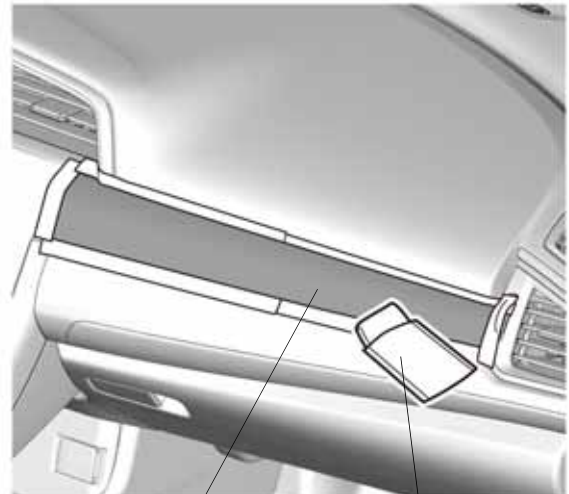
**VEHICLE  
ESCUTCHEON PANEL**  
(Wait 10 minutes for  
the primer to dry.)

QF93505AT

26. Apply the primer to the passenger's dashboard trim where the passenger's panel will attach.

NOTE:

- Apply the primer evenly.
- Be careful not to apply the primer anywhere except to the indicated area.
- Do not apply additional primer.
- Wait 10 minutes for the primer to dry before attaching the passenger's panel.
- Do not use an expired primer.



**PASSENGER'S  
DASHBOARD TRIM**  
(Wait 10 minutes for  
the primer to dry.)

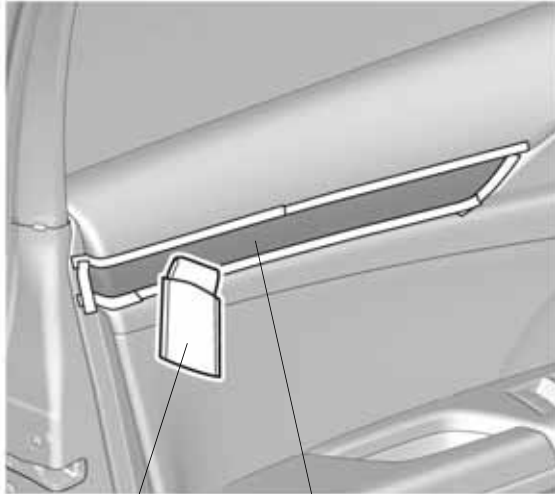
**PRIMER**

QF93521AH

27. Apply the primer to the left front door trim panel where the left front door panel will attach.

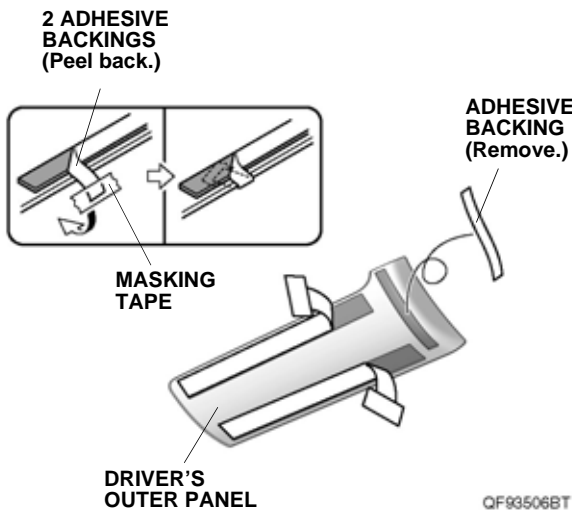
NOTE:

- Apply the primer evenly.
- Be careful not to apply the primer anywhere except to the indicated area.
- Do not apply additional primer.
- Wait 10 minutes for the primer to dry before attaching the left front door panel.
- Do not use an expired primer.

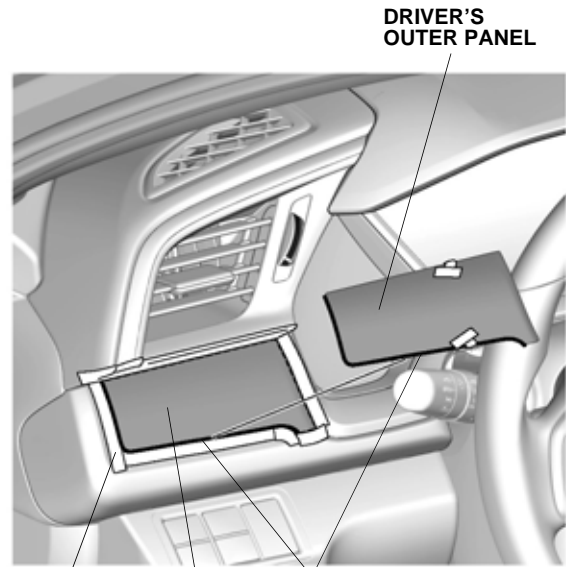


**PRIMER**  
**LEFT FRONT DOOR TRIM PANEL**  
(Wait 10 minutes for the primer to dry.)  
QF93522AH

28. Repeat step 27 on the right side of the vehicle.  
29. Peel back the adhesive backings, and tape them to the front surface of the driver's outer panel with masking tape. Remove the other adhesive backing.

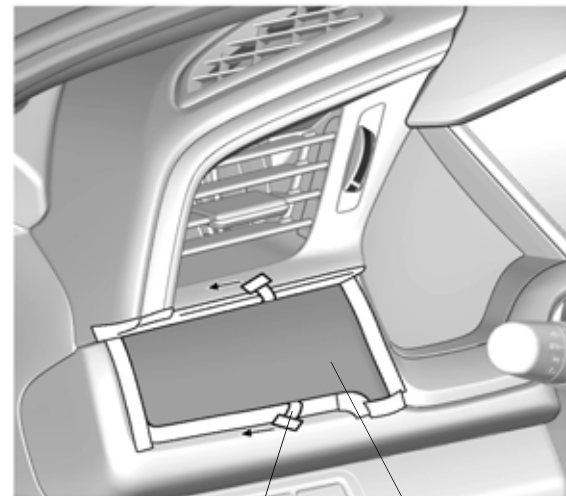


30. Line up the driver's outer panel with masking tape as shown.



**DRIVER'S OUTER PANEL**  
**MASKING TAPE**  
**METER LOWER VISOR**  
Line up.  
QF93525AH

31. While applying light pressure against the driver's outer panel, carefully remove the adhesive backings.

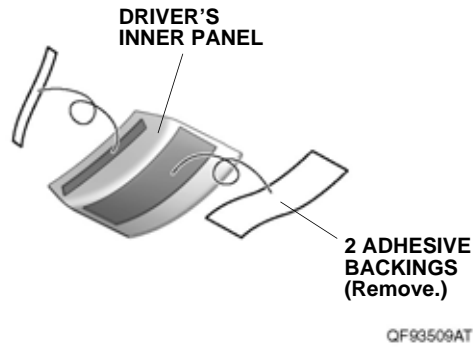


**2 ADHESIVE BACKINGS (Remove.)**  
**DRIVER'S OUTER PANEL**  
QF93508DT

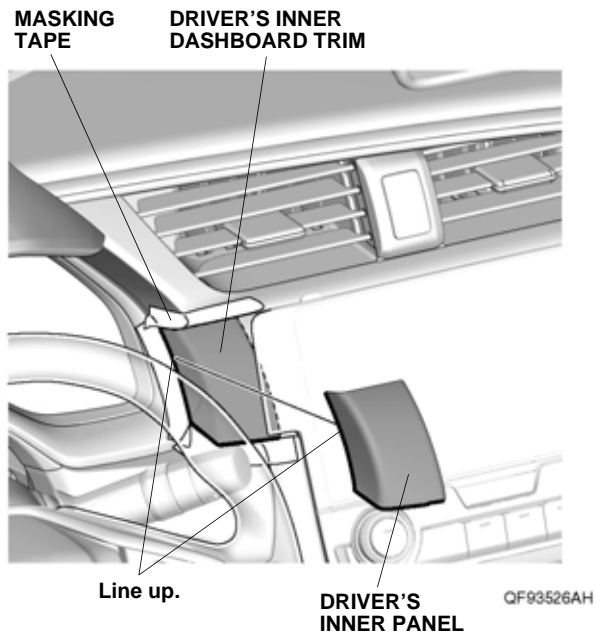
32. Using the palm of your hand, firmly press the driver's outer panel against the meter lower visor for 30 seconds.  
33. Remove the masking tape.



34. Remove the adhesive backings.

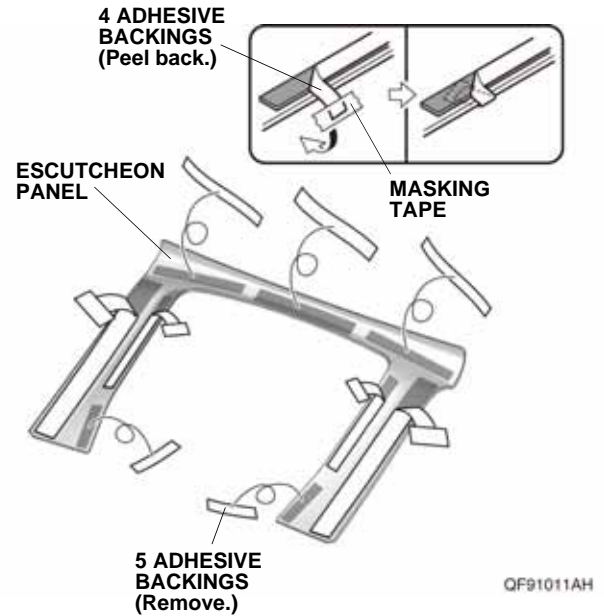


35. Line up the driver's inner panel with masking tape as shown.

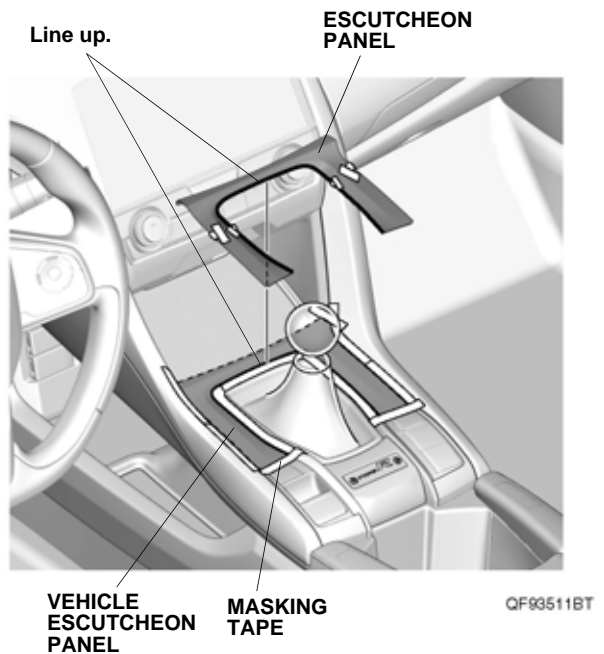


36. Using the palm of your hand, firmly press the driver's inner panel against the driver's inner dashboard trim for 30 seconds.
37. Remove the masking tape.

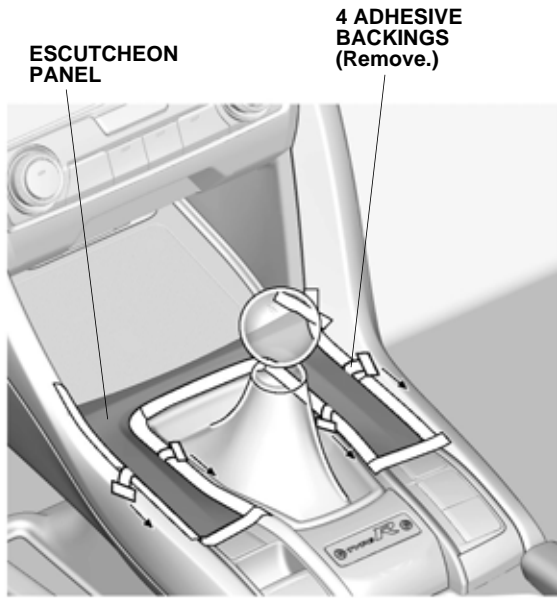
38. Peel back the adhesive backings, and tape them to the front surface of the escutcheon panel with masking tape. Remove the other adhesive backings.



39. Line up the escutcheon panel with masking tape as shown.

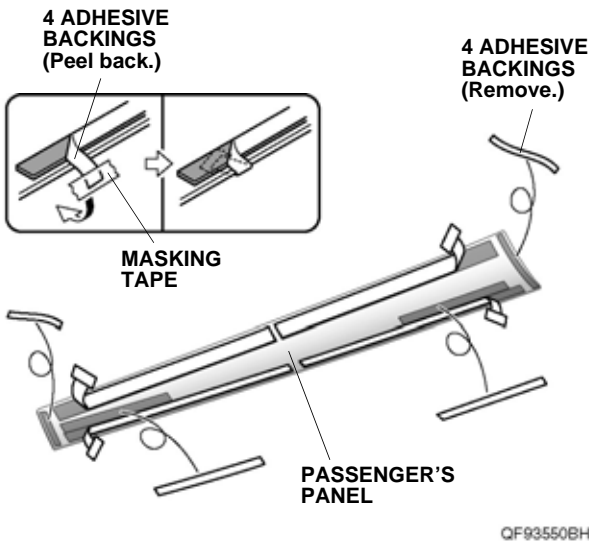


40. While applying light pressure against the escutcheon panel, carefully remove the adhesive backings.



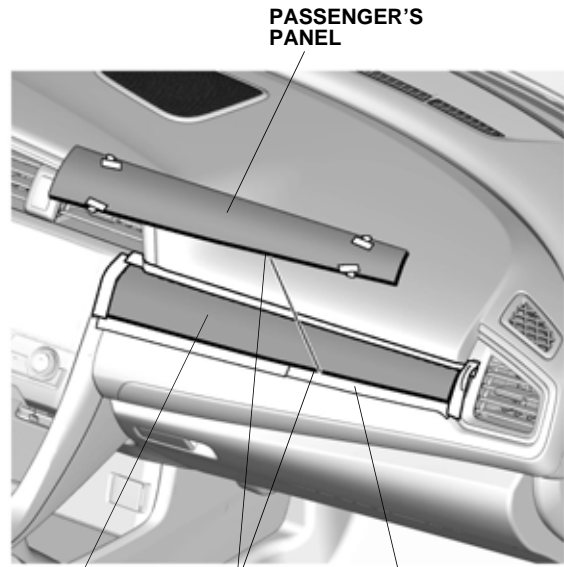
QF93512BT

41. Using the palm of your hand, firmly press the escutcheon panel against the vehicle escutcheon panel for 30 seconds.
42. Remove the masking tape.
43. Peel back the adhesive backings, and tape them to the front surface of the passenger's panel with masking tape. Remove the other adhesive backings.



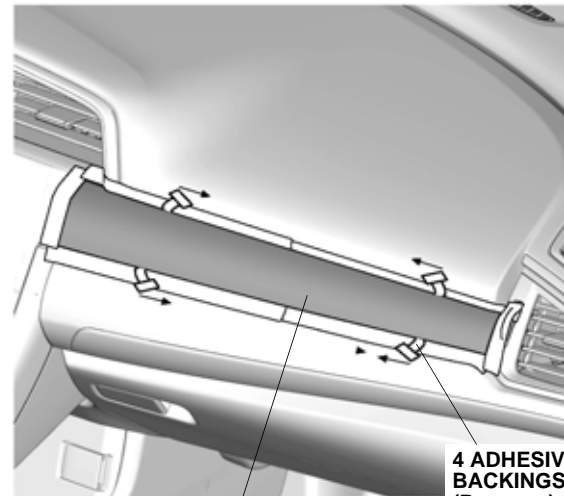
QF93550BH

44. Line up the passenger's panel with masking tape as shown.



QF93514DT

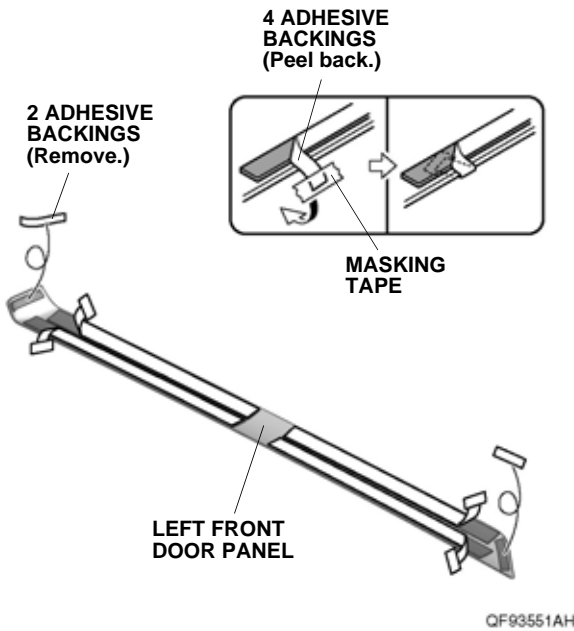
45. While applying light pressure against the passenger's panel, carefully remove the adhesive backings.



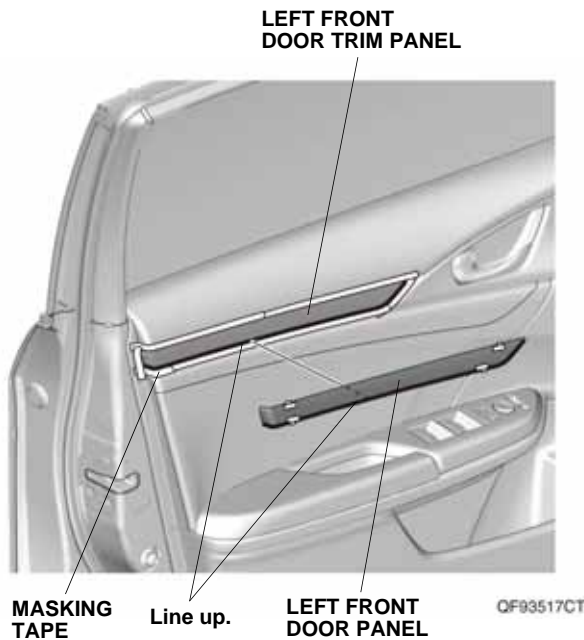
QF93515DT

46. Using the palm of your hand, firmly press the passenger's panel against the passenger's dashboard trim for 30 seconds.
47. Remove the masking tape.

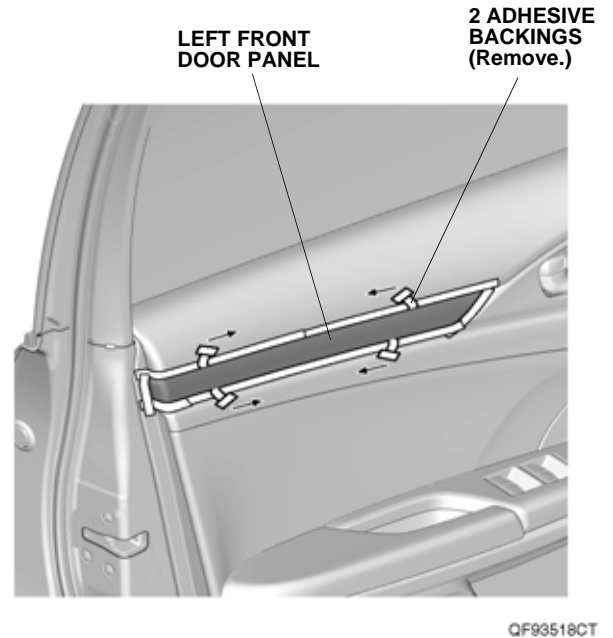
48. Peel back the adhesive backings, and tape them to the front surface of the left front door panel with masking tape. Remove the other adhesive backings.



49. Line up the left front door panel with masking tape as shown.



50. While applying light pressure against the left front door panel, carefully remove the adhesive backings.



51. Using the palm of your hand, firmly press the left front door panel against the left front door trim panel for 30 seconds.
52. Remove the masking tape.
53. Repeat steps 48 through 52 on the right side of the vehicle.