



## INSTALLATION INSTRUCTIONS

Accessory  
**SIDE UNDER SPOILERS**  
 P/N 08F04-TEA-100

Application  
**2017 CIVIC**  
**5-DOOR**

Publications No.  
**VERSION 1**

---

Issue Date  
**SEP 2016**

### PARTS LIST

Left spoiler



Right spoiler



18 Self-tapping screws



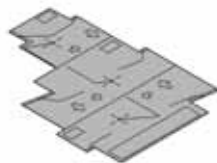
18 Spring nuts



6 Clips



Template A



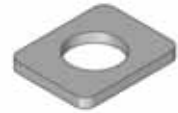
Template B



Template C



22 Seals



4 Alcohol swabs



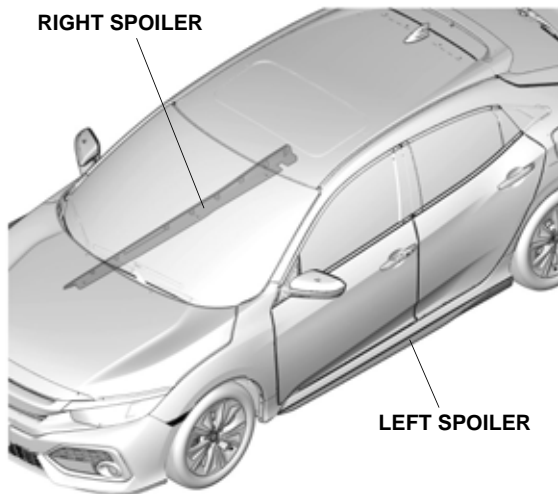
## TOOL AND SUPPLIES REQUIRED

- Phillips screwdriver
- Stubby Phillips screwdriver
- Drill
- 3 mm, 6 mm, 8 mm, and 10 mm Drill bits
- File
- Masking tape
- Pushpin
- Eye protection (face shield, safety goggles, etc.)
- Ruler
- Scissors

The following tools are available through the Honda Tool and Equipment Program. On the iN, click on Service > Service Bay > Tool and Equipment Program, then enter the number under "Search." Or, call 888-424-6857.

- Plastic Trim Tool (T/N SILTRIMTL10)
- Trim Tool Set (T/N SOJATP2014)

## Illustration of the Side Under Spoilers Installed on the Vehicle



QF21001AT

## INSTALLATION

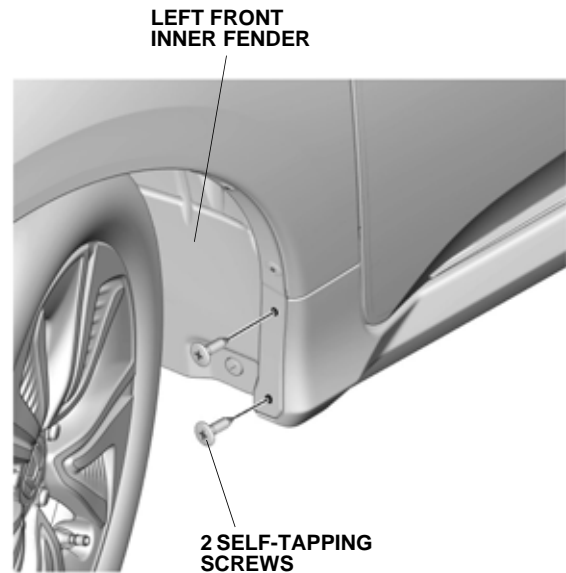
**Customer Information:** The information in this installation instruction is intended for use only by skilled technicians who have the proper tools, equipment, and training to correctly and safely add equipment to your vehicle. These procedures should not be attempted by "do-it-yourselfers."

### NOTE:

- Be careful not to damage the body paint finish.

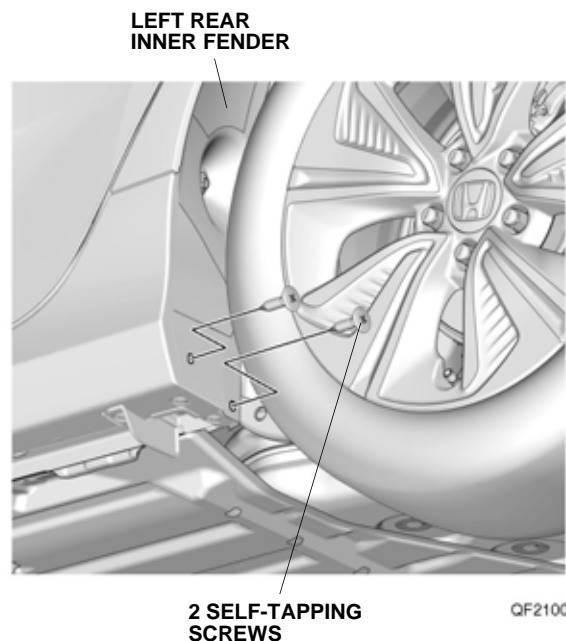
## Removing the Vehicle Parts

1. Turn the steering wheel fully counterclockwise.



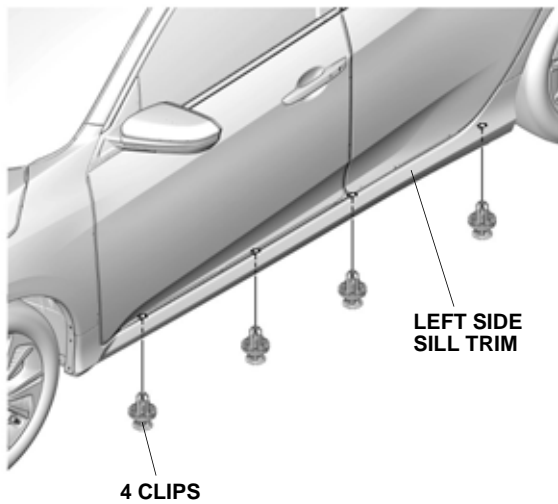
QF21002AT

2. Remove the two self-tapping screws shown above.
3. Remove the two self-tapping screws shown below.



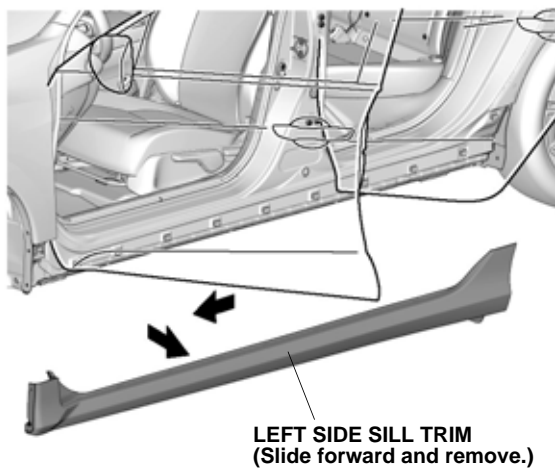
QF21003AT

4. Remove the four clips from the left side sill trim.



QF21004BT

5. Open the left front and rear doors.

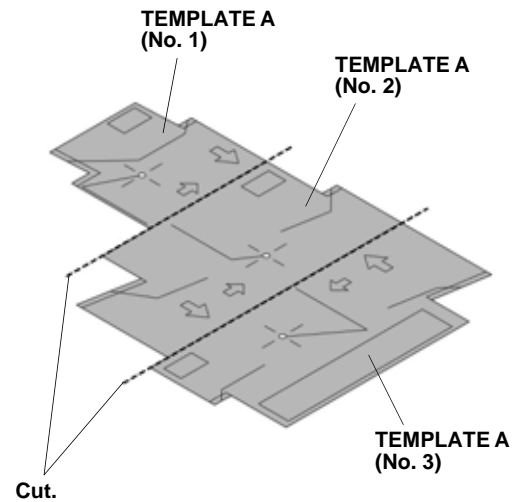


QF21005BT

6. Remove the left side sill trim. Close the left front and rear doors.

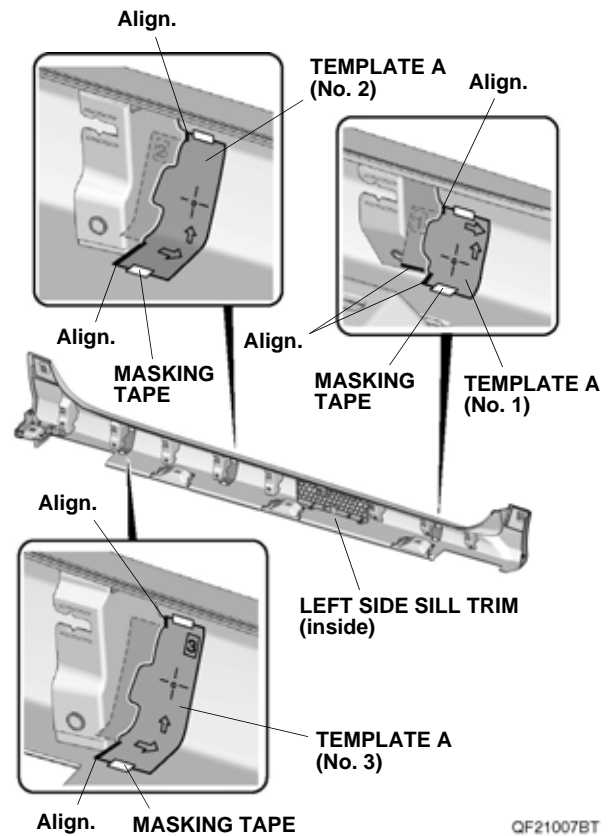
## Installing the Spoilers

7. Using scissors, cut template A into three pieces as shown.



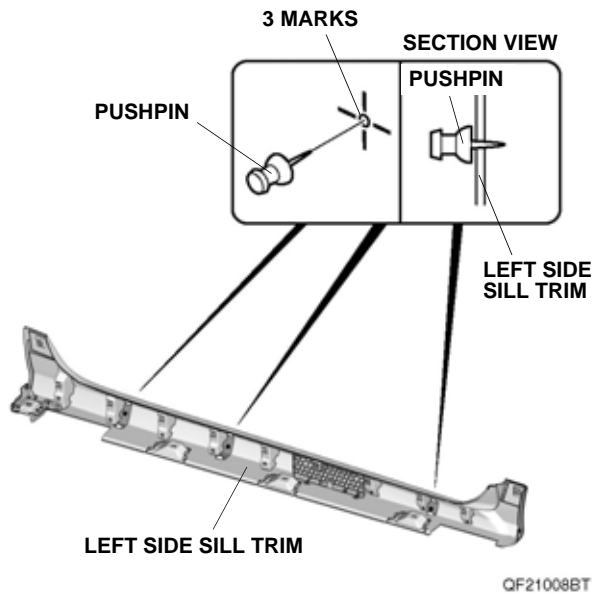
QF21006AT

8. Line up template A No. 1, No. 2, and No. 3 with the left side sill trim as shown and attach them to the left side sill trim using masking tape.



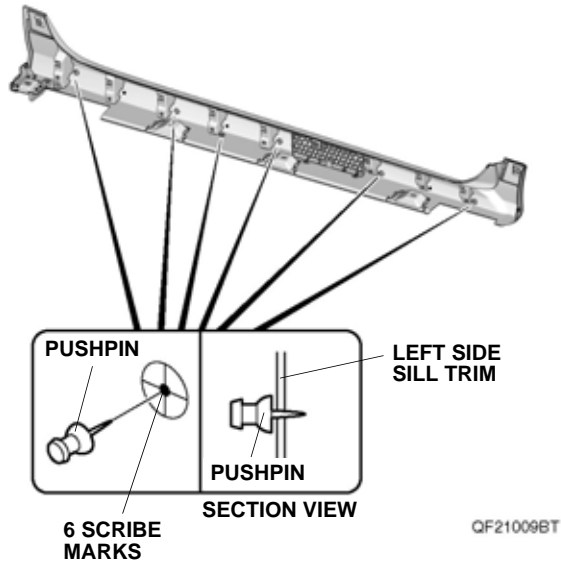
QF21007BT

9. Using a pushpin, pierce the center of the mark on each template A.



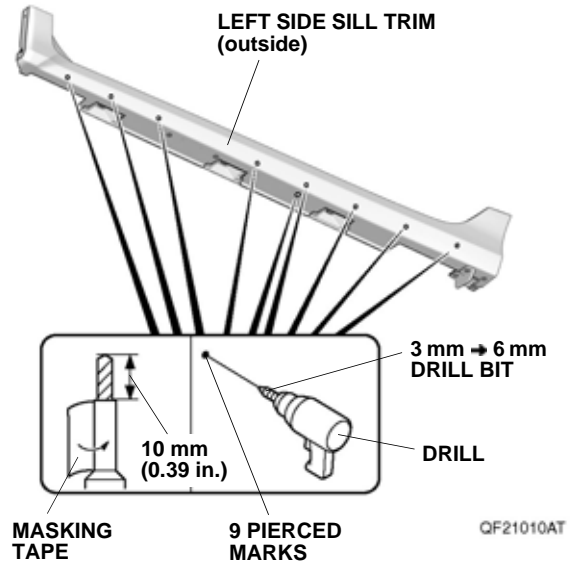
10. Remove templates A.

11. Using a pushpin, pierce the center of the six scribe marks on the left side sill trim.



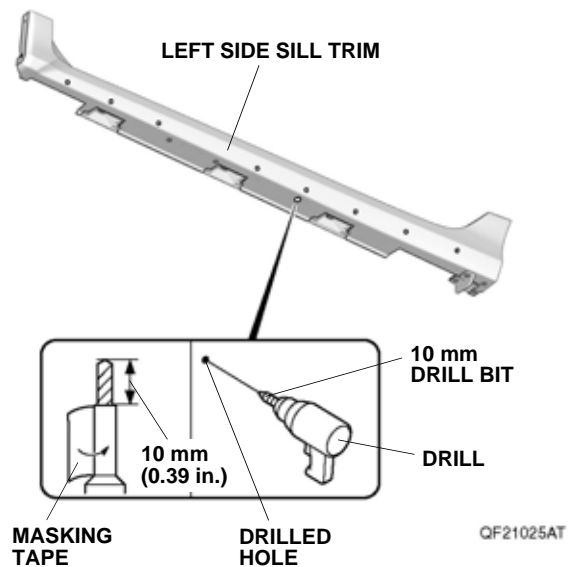
12. While wearing eye protection, drill the nine pierced marks to 6 mm:

- Wrap masking tape around each drill bit 10 mm (0.39 in.) away from the tip or use a drill stop.
- First; drill with a 3 mm drill bit, then follow with a 6 mm drill bit.



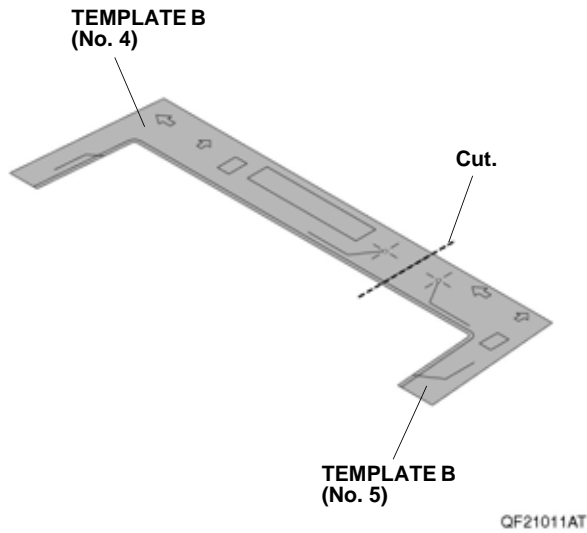
13. While wearing eye protection, drill the hole shown below to 10 mm:

- Wrap masking tape around the drill bit 10 mm (0.39 in.) away from the tip or use a drill stop.

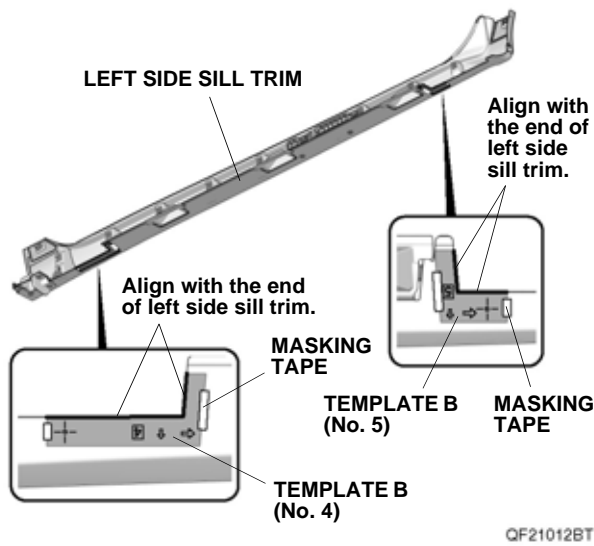


14. Using a file, remove any burrs from the holes.

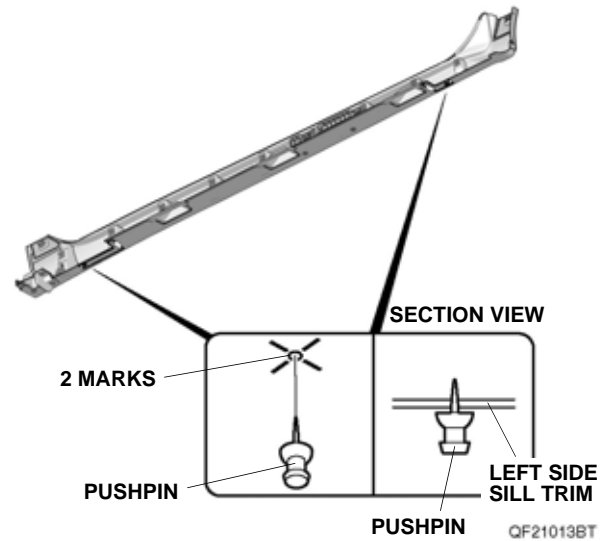
15. Using scissors, cut template B into two pieces as shown.



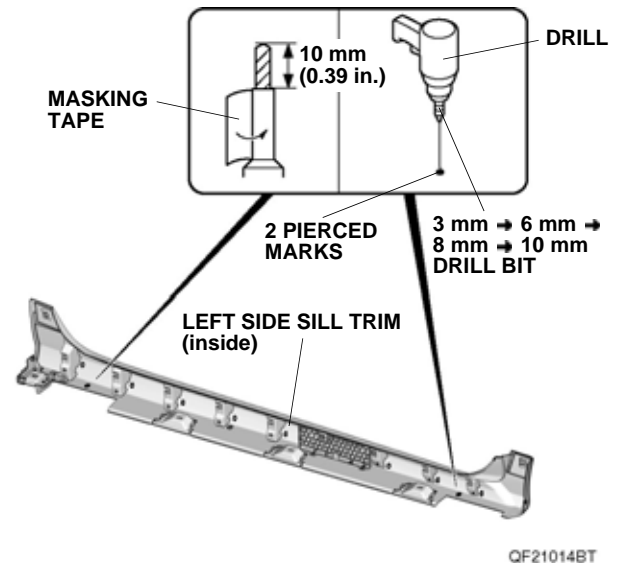
16. Line up template B No. 4 and No. 5 with the left side sill trim as shown and attach them to the left side sill trim using masking tape.



17. Using a pushpin, pierce the center of the mark on each template B.

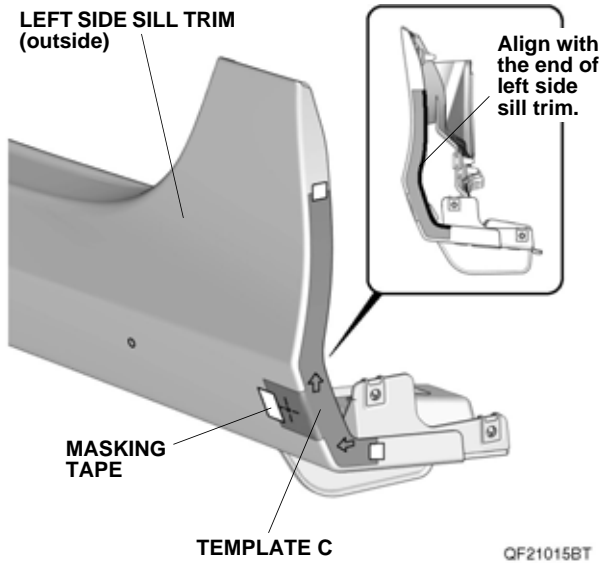


18. Remove templates B.
19. While wearing eye protection, drill the two pierced marks to 10 mm.
- Wrap masking tape around each drill bit 10 mm (0.39 in.) away from the tip or use a drill stop.
  - First, drill with a 3 mm drill bit, then follow with a 6 mm drill bit, an 8 mm drill bit, and finish with a 10 mm drill bit.

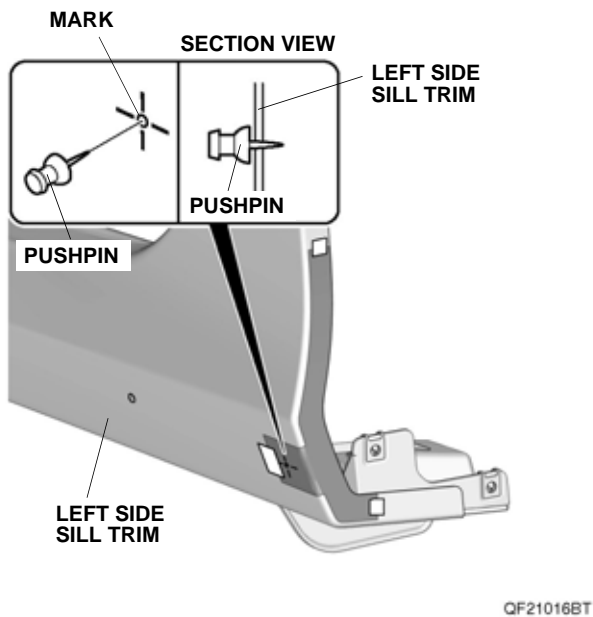


20. Using a file, remove any burrs from the holes.

21. Line up template C with the left side sill trim as shown. Attach template C to the left side sill trim using masking tape.



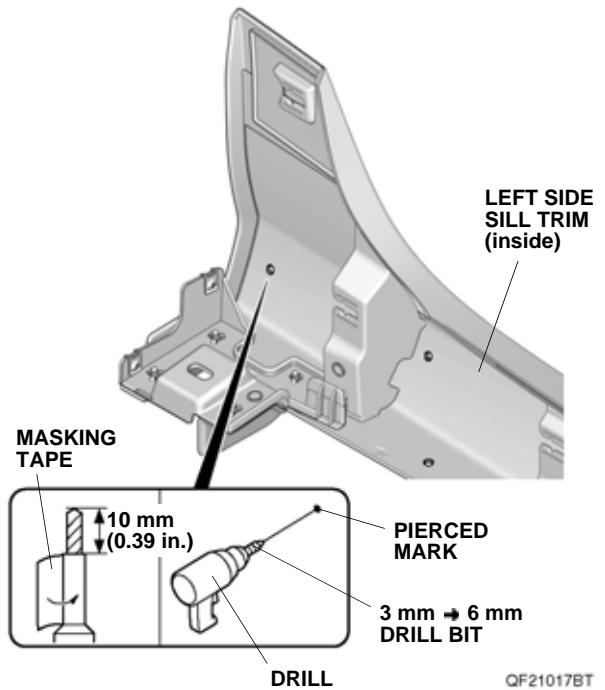
22. Using a pushpin, pierce the center of the mark on template C.



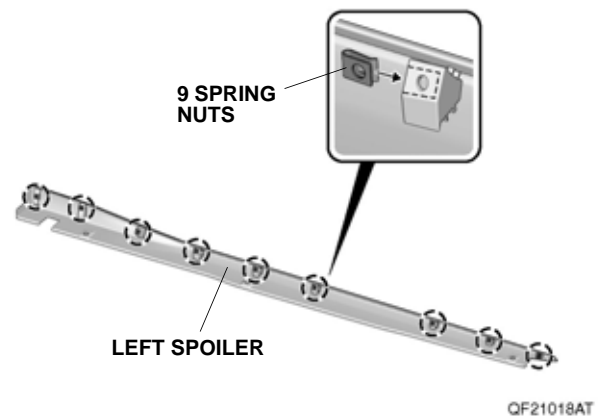
23. Remove template C.

24. While wearing eye protection, drill the pierced mark to 6 mm:

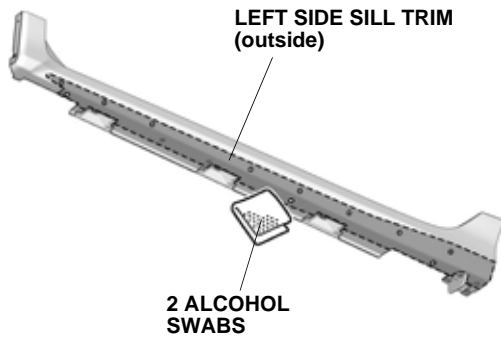
- Wrap masking tape around each drill bit 10 mm (0.39 in.) away from the tip or use a drill stop.
- First, drill with a 3 mm drill bit, then follow with a 6 mm drill bit.



25. Using a file, remove any burrs from the hole.
26. Install nine spring nuts on the left spoiler.

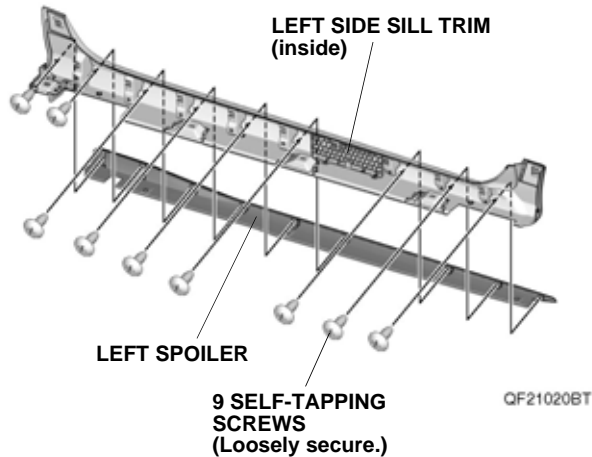


27. Using two alcohol swabs, thoroughly clean the area where the left spoiler will attach.



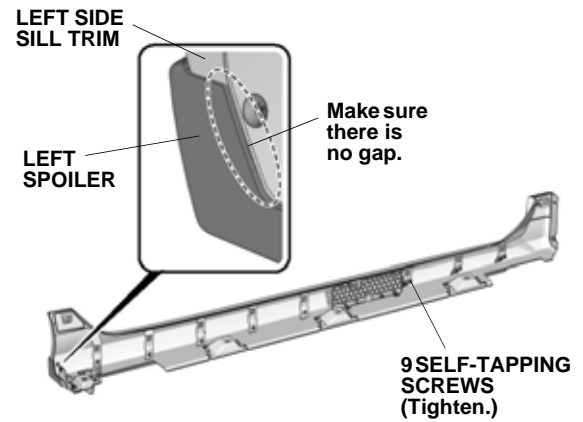
QF21019AT

28. Loosely secure the left spoiler with nine self-tapping screws.



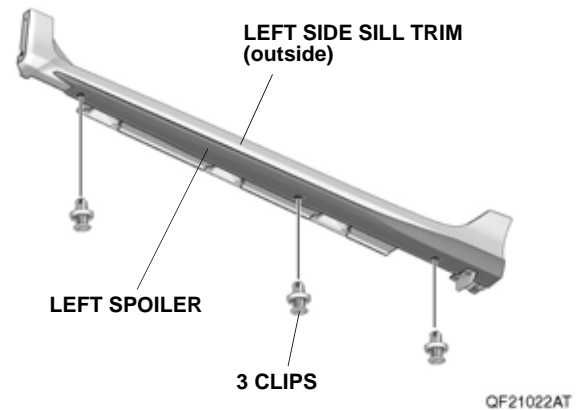
QF21020BT

29. Lightly tap the left spoiler to remove any gaps between the left spoiler and the left side sill trim. Tighten the left spoiler with the nine self-tapping screws.



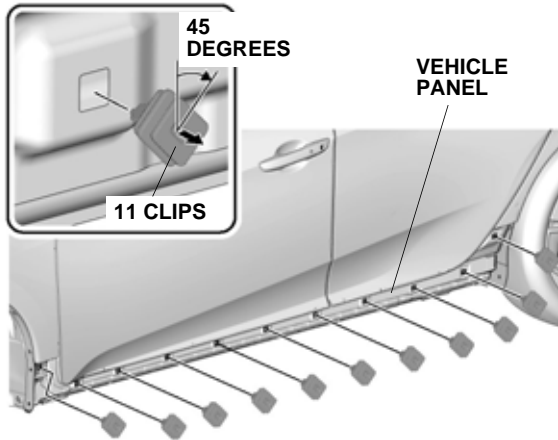
QF21021BT

30. Install the three clips on the left spoiler.



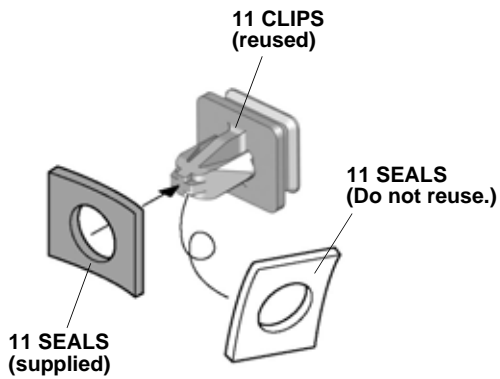
QF21022AT

31. Remove the 11 clips from vehicle panel.



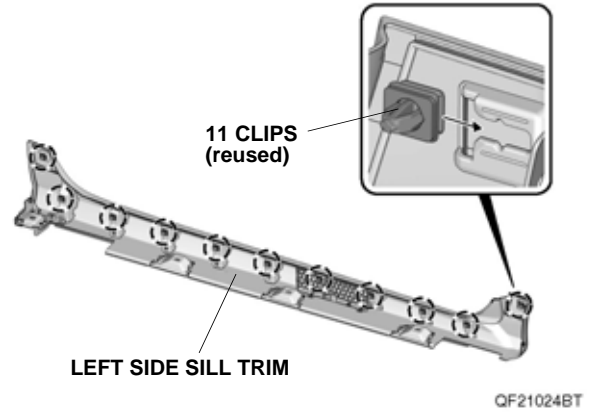
QF21023AT

32. Replace 11 seals.



QE32425BH

33. Install the 11 clips removed in step 31 on the left spoiler as shown.



34. Turn the steering wheel fully clockwise.
35. Turn the templates over and repeat steps 2 through 33 to install the right spoiler.
36. Install all removed parts.