



## INSTALLATION INSTRUCTIONS

Accessory  
**AMBIENT LIGHTING KIT**

Application  
**2017 CIVIC**

Publications No.  
**VERSION 1**

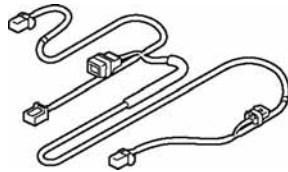
Issue Date  
**SEP 2016**

### PARTS LIST

2 Ambient lights



Ambient light harness



Wire tie with clip  
(May not be used)



10 Wire ties



Fuse label



2 Self-tapping screws



### TOOLS AND SUPPLIES REQUIRED

Phillips screwdriver

10 mm Open end wrench

Ratchet

10 mm Socket

Diagonal cutters

Isopropyl alcohol

Shop towel

Tape

Pushpin

Drill

3 mm, 5 mm, 6 mm, 8 mm, and 12 mm Drill bits

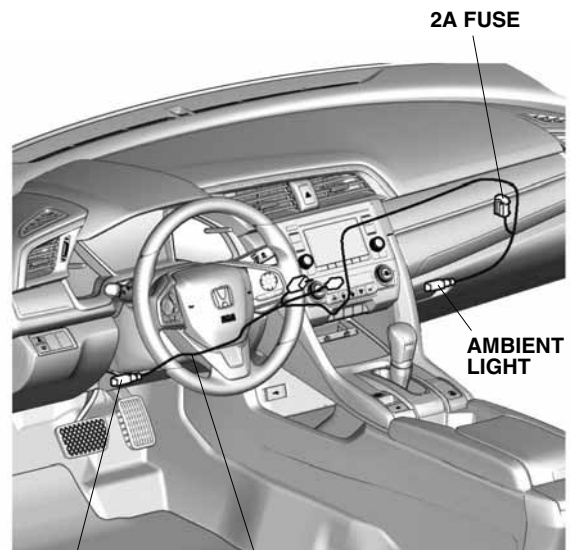
File

Eye protection (face shield, safety goggles, etc.)

*The following tools are available through the Honda Tool and Equipment Program. On the iN, click on Service > Service Bay > Tool and Equipment Program, then enter the number under "Search." Or, call 888-424-6857.*

- Trim Tool Set (T/N SOJATP2014)
- Plastic Trim Tool (T/N SILTRIMTL10)

### Illustration of the Ambient Lighting kit in the Vehicle



AMBIENT LIGHT

AMBIENT LIGHT HARNESS

2A FUSE

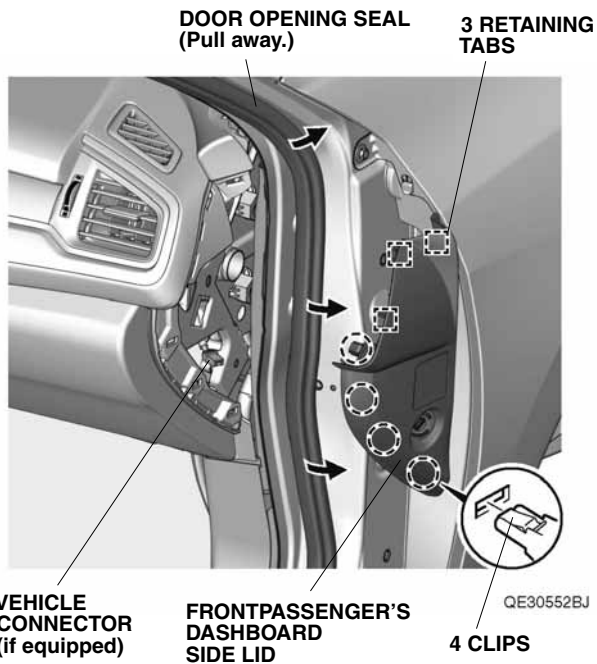
AMBIENT LIGHT

QE32301AJ

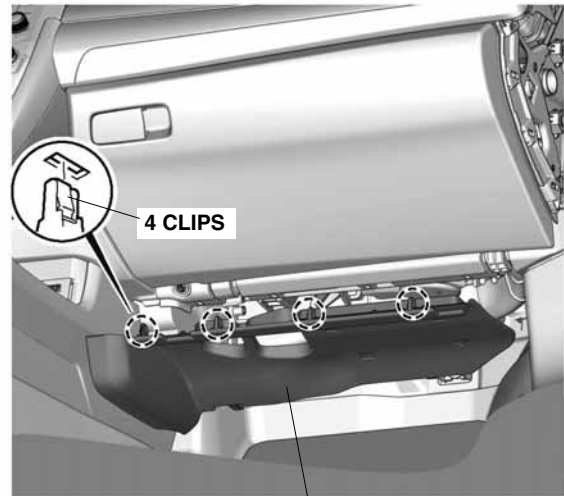
## INSTALLATION

**Customer Information:** The information in this installation instruction is intended for use only by skilled technicians who have the proper tools, equipment, and training to correctly and safely add equipment to your vehicle. These procedures should not be attempted by “do-it-yourselfers.”

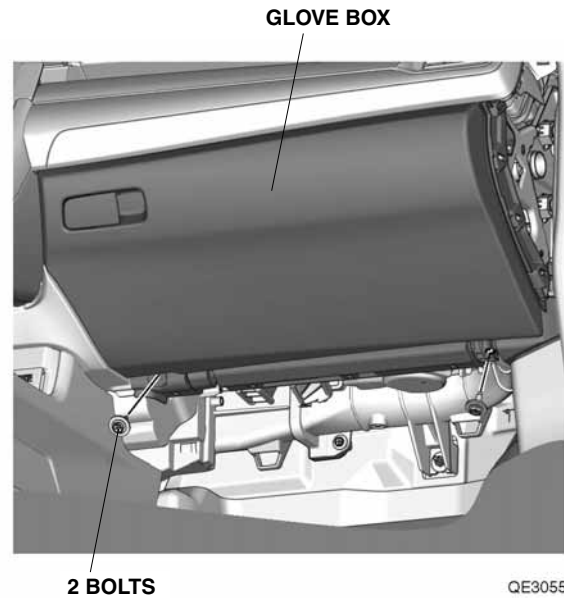
1. Disconnect the negative cable from the battery, then wait at least 3 minutes before starting work.
2. Remove the front passenger's dashboard side lid and unplug the vehicle connector (if equipped). Then, pull away the door opening seal.



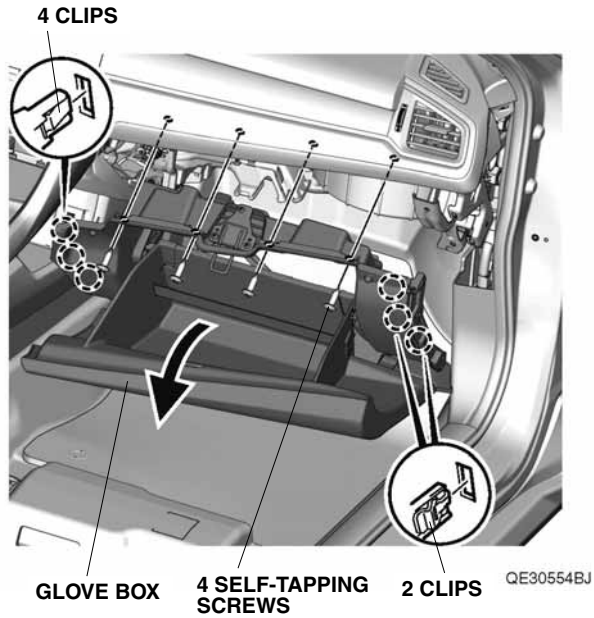
3. Remove the front passenger's under cover.



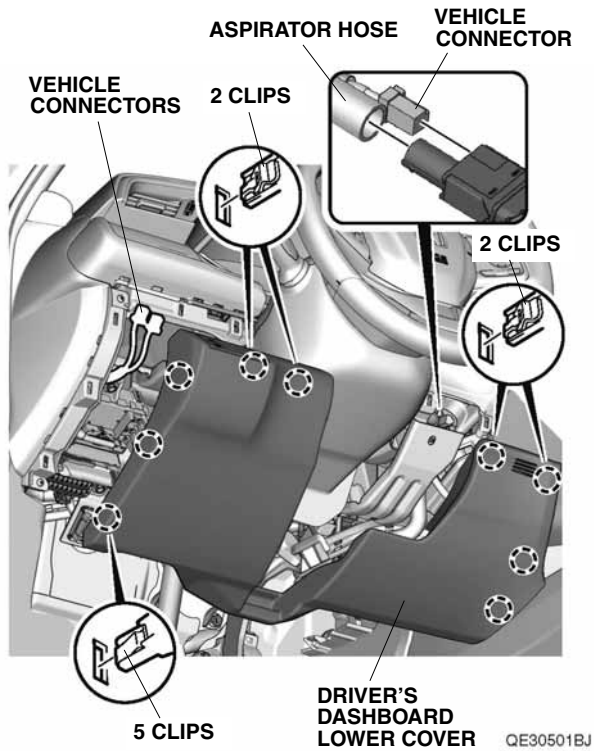
4. Remove two bolts from the glove box.



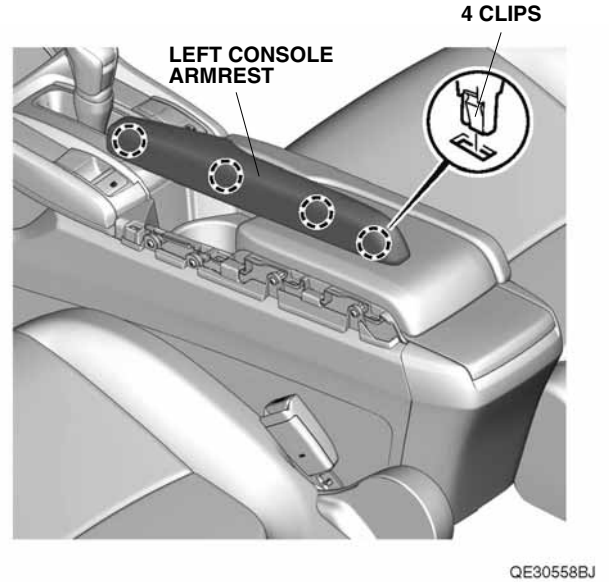
5. Open the glove box and remove it.



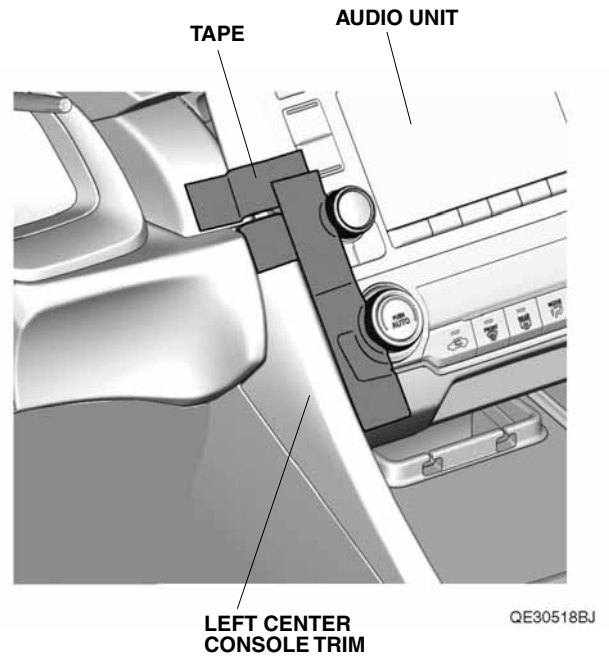
6. Remove the driver's dashboard lower cover, then unplug the vehicle connectors and aspirator hose.



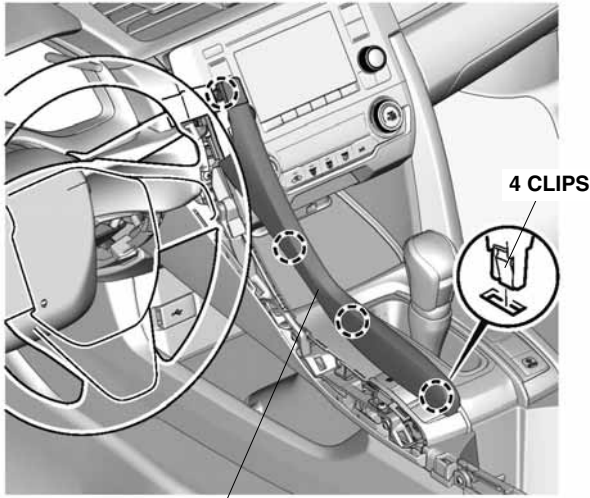
7. Remove the left console armrest.



8. Apply tape as shown.



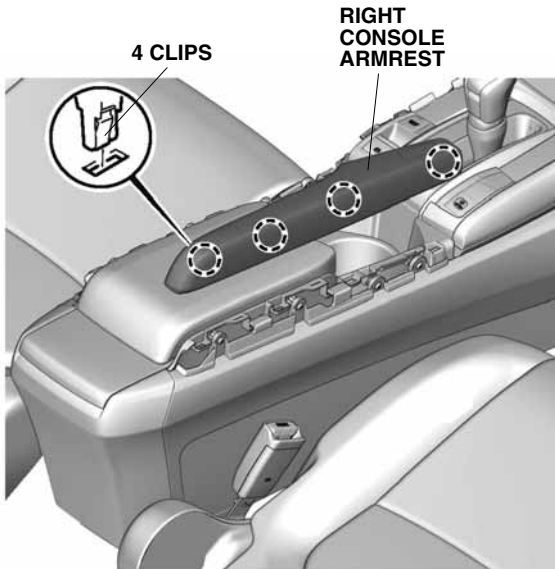
9. Remove the left center console trim.



**LEFT CENTER  
CONSOLE TRIM**

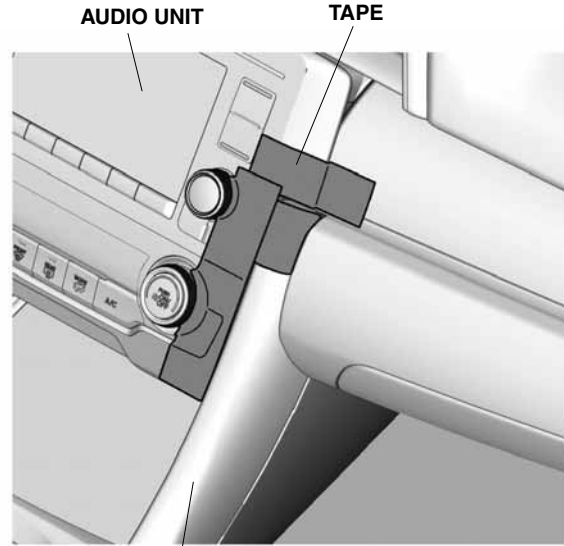
QE30521BJ

10. Remove the right console armrest.



QE30559CJ

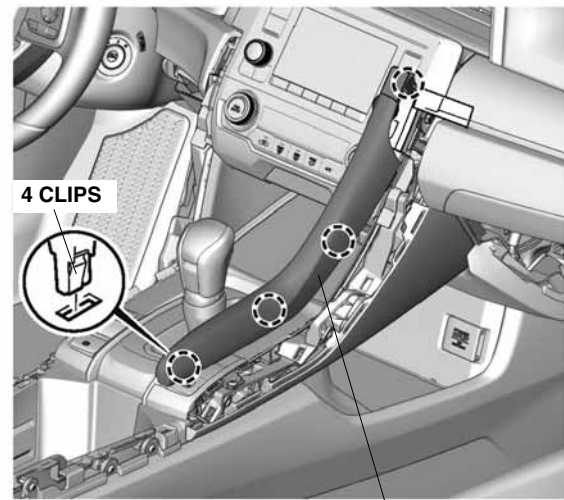
11. Apply tape as shown.



**RIGHT CENTER  
CONSOLE TRIM**

QE30514BJ

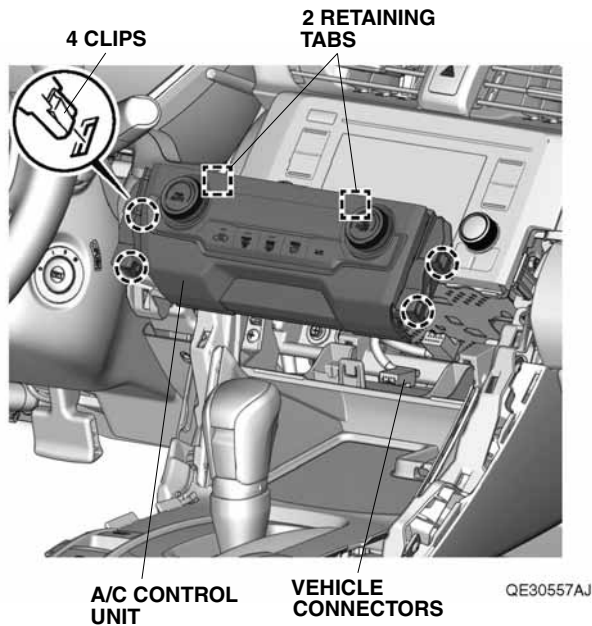
12. Remove the right center console trim.



**RIGHT CENTER  
CONSOLE TRIM**

QE30556BJ

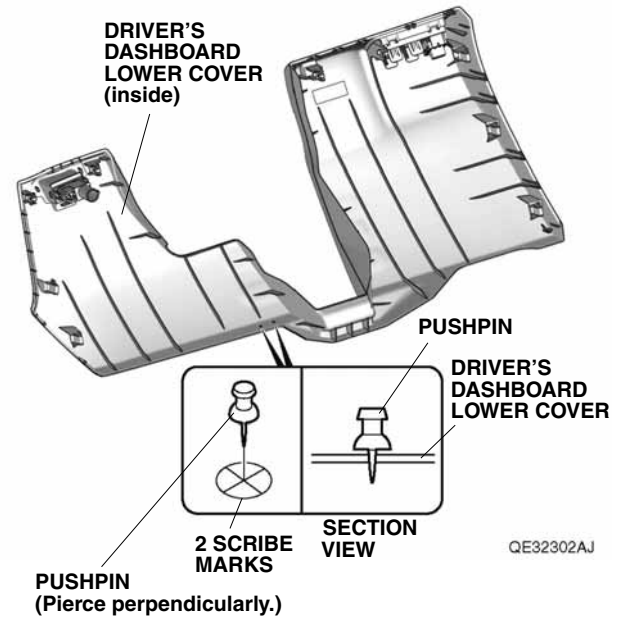
13. Remove the A/C control unit and unplug the vehicle connectors.



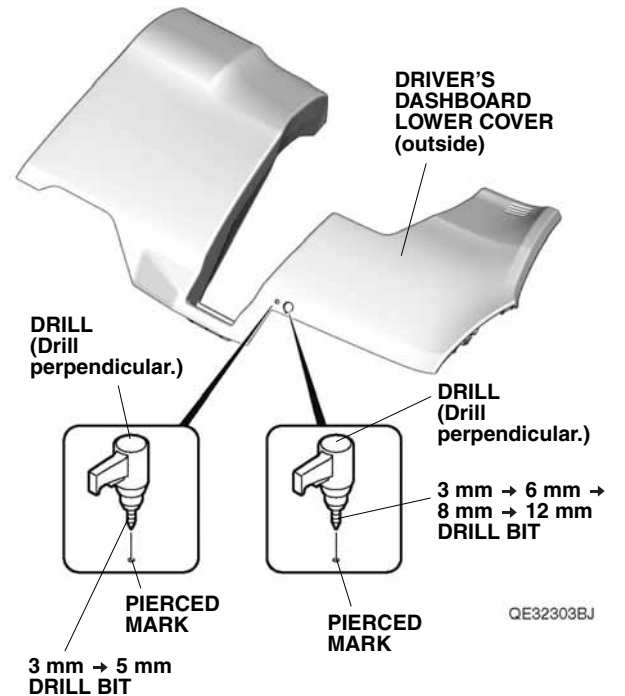
14. Remove the audio unit and unplug the vehicle connectors.



15. Using a pushpin, pierce the center of the two scribe marks on the driver's dashboard lower cover.



16. While wearing eye protection, drill one pierced mark with a 3 mm drill bit, then finish with a 5 mm drill bit.

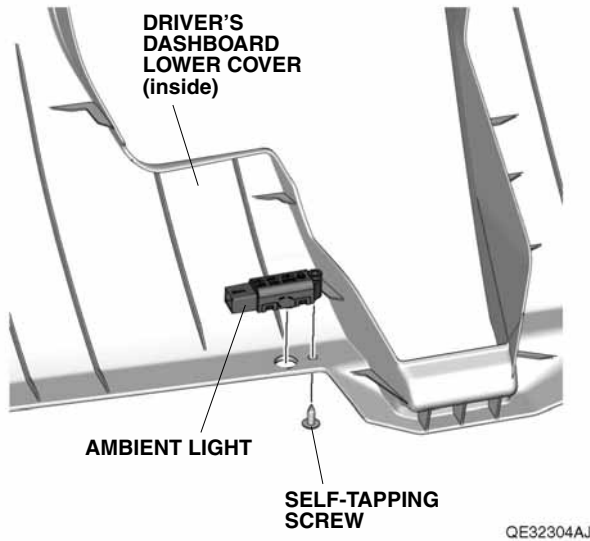


17. While wearing eye protection, drill the other pierced mark with a 3 mm drill bit, with a 6 mm drill bit, with an 8 mm drill bit, then finish with a 12 mm drill bit.

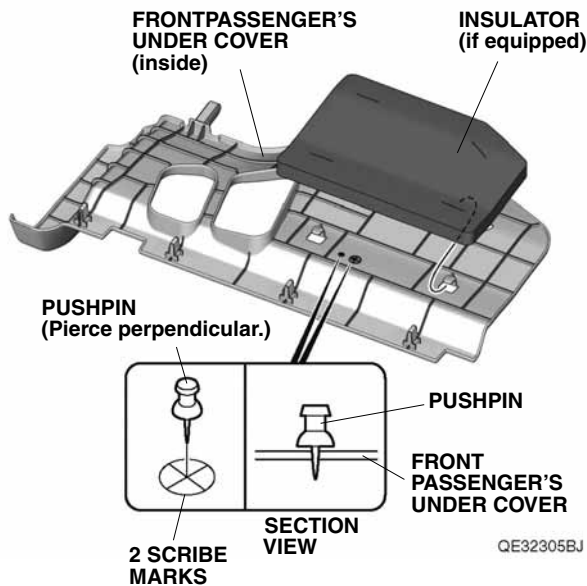
18. Using a file, remove any burrs from the holes.



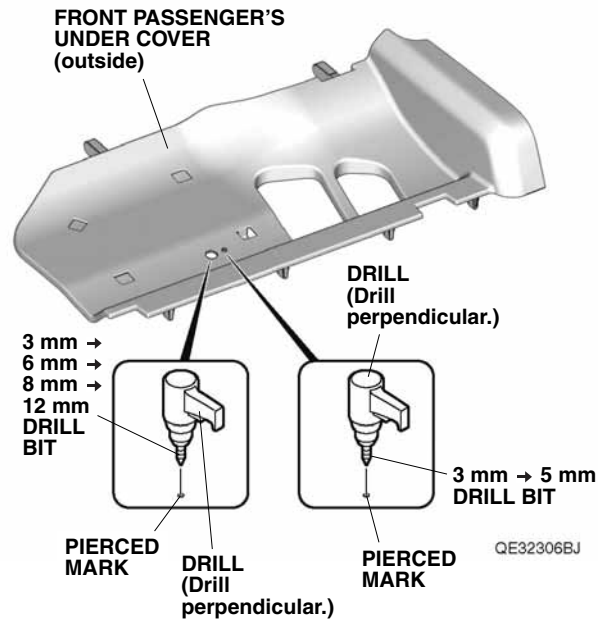
19. Install the ambient light to the driver's dashboard lower cover with one self-tapping screw.



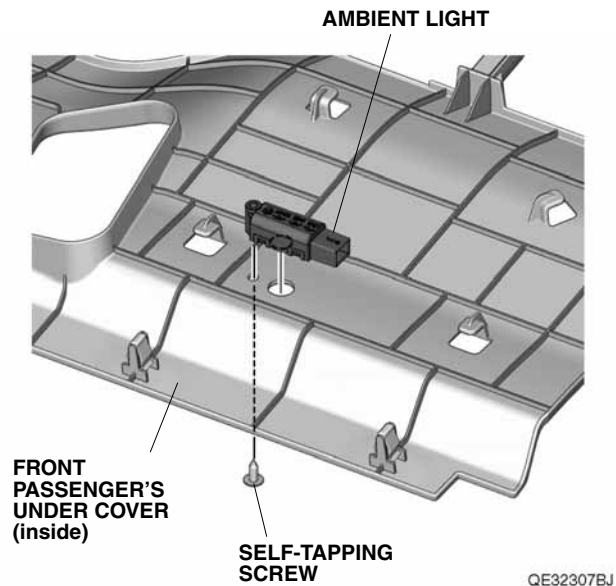
20. If equipped, remove the insulator. Using a pushpin, pierce the center of the two scribe marks on the front passenger's under cover.



21. While wearing eye protection, drill one pierced mark with a 3 mm drill bit, then finish with a 5 mm drill bit.

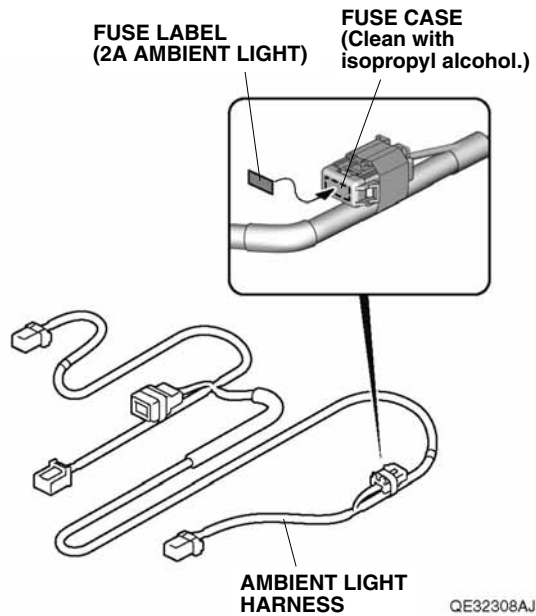


22. While wearing eye protection, drill the other pierced mark with a 3 mm drill bit, with a 6 mm drill bit, with an 8 mm drill bit, then finish with a 12 mm drill bit.
23. Using a file, remove any burrs from the holes.
24. Install the ambient light to the front passenger's under cover with one self-tapping screw.

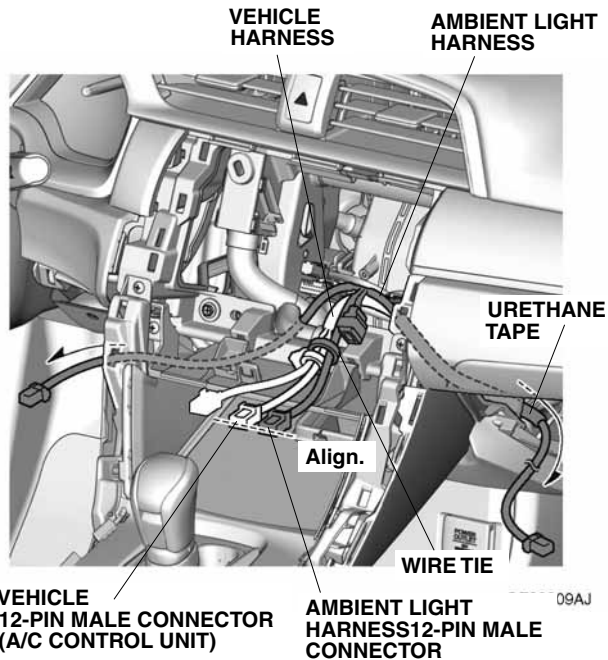


25. Install the insulator (If equipped).

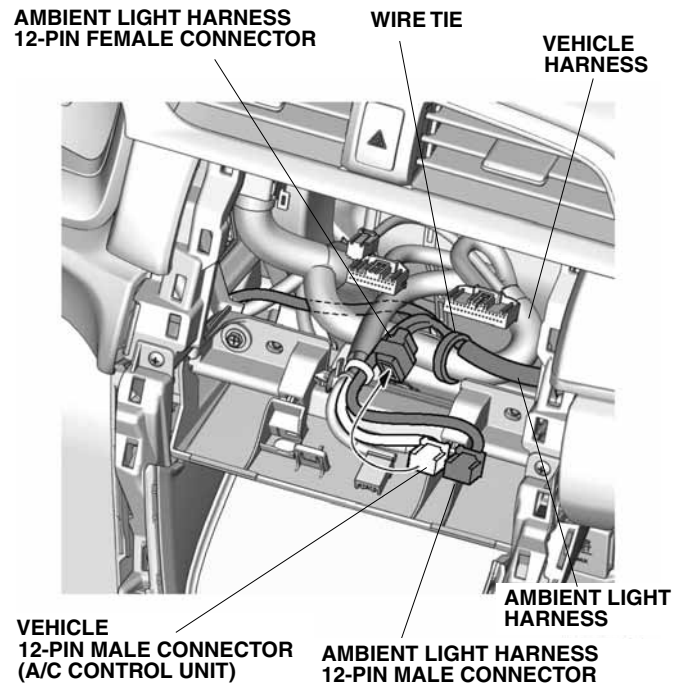
26. Using isopropyl alcohol on a shop towel, thoroughly clean the fuse case where the fuse label will attach.



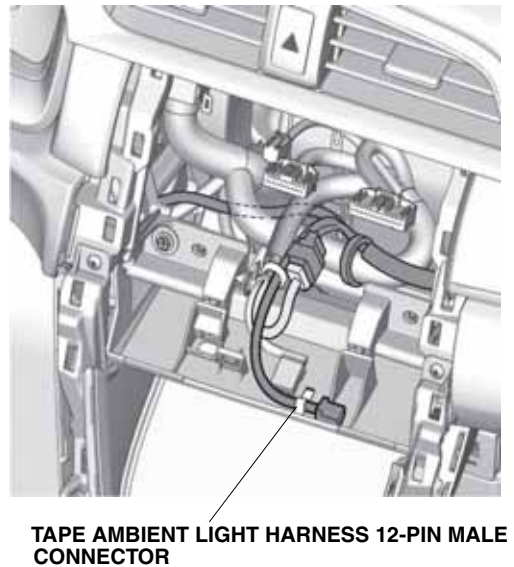
27. Attach the fuse label to the ambient light harness fuse case.
28. Route the ambient light harness as shown. Line up the ambient light harness 12-pin male connector with the vehicle 12-pin male connector and secure the ambient light harness to the vehicle harness with one wire tie.



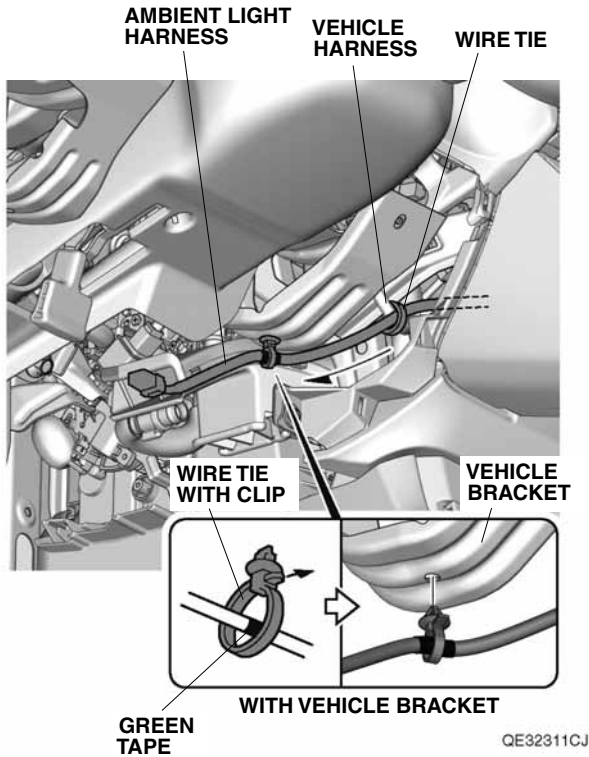
29. Plug the vehicle 12-pin male connector into the ambient light harness 12-pin female connector and secure the ambient light harness to the vehicle harness with one wire tie.



30. Using masking tape, secure the ambient light harness 12-pin male connector to the center dash as shown.

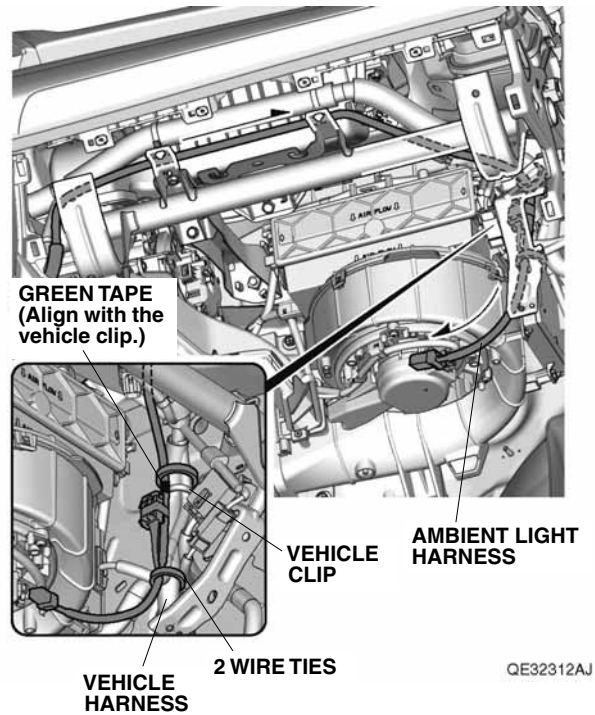


31. If equipped with the vehicle bracket, secure the green tape on the ambient light harness to the vehicle bracket with one wire tie with clip.

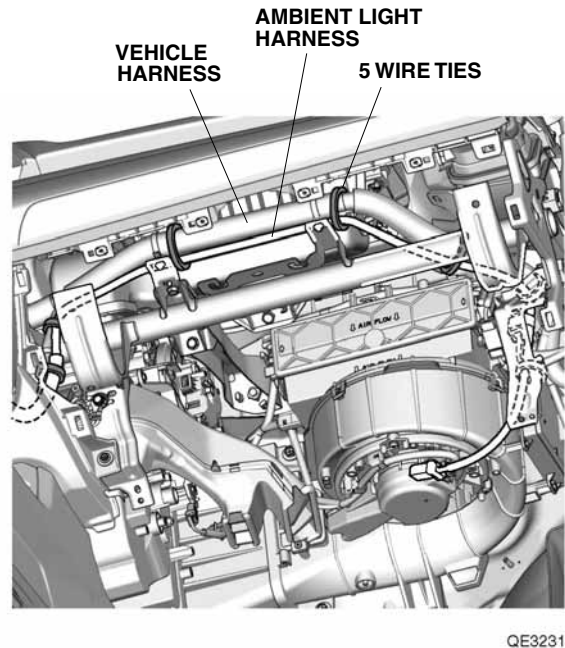


32. Secure the ambient light harness to the vehicle harness with one wire tie.

33. Route the ambient light harness as shown. Align the green tape on the ambient light harness with the vehicle clip and secure the ambient light harness to the vehicle harness with two wire ties.

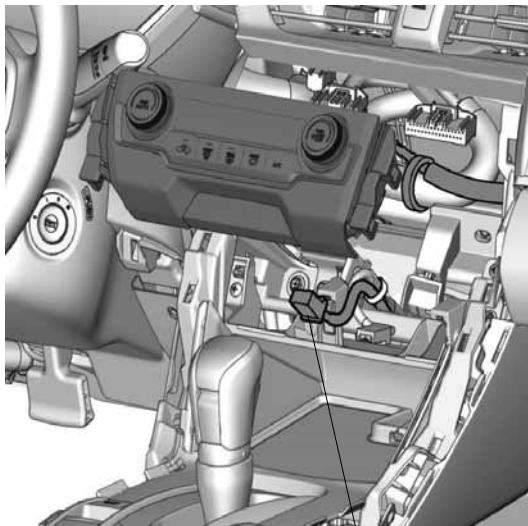


34. Secure the ambient light harness to the vehicle harness with five wire ties.



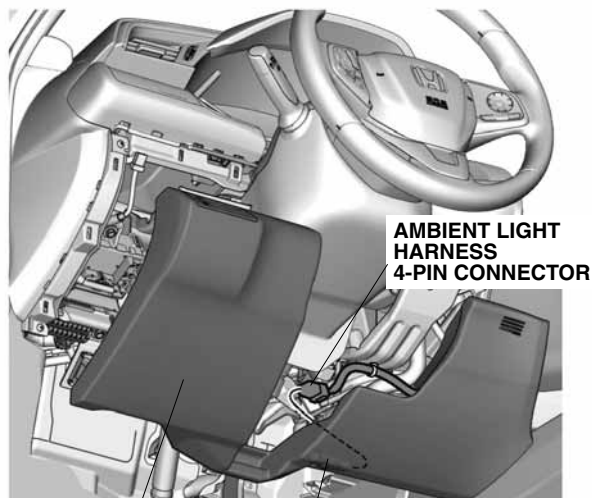


35. Remove the tape from the ambient light harness 12-pin male connector in step 30 and plug it into the A/C control unit.



**AMBIENT LIGHT HARNESS 12-PIN MALE CONNECTOR**

36. Install the audio unit and then the A/C control unit.  
37. Plug the ambient light harness 4-pin connector into the ambient light and install the driver's dashboard lower cover.



**DRIVER'S DASHBOARD LOWER COVER**

**AMBIENT LIGHT**

QE32315AJ

38. Install the glove box.



**AMBIENT LIGHT HARNESS 4-PIN CONNECTOR**

**FRONT PASSENGER'S UNDER COVER**

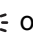

**AMBIENT LIGHT**

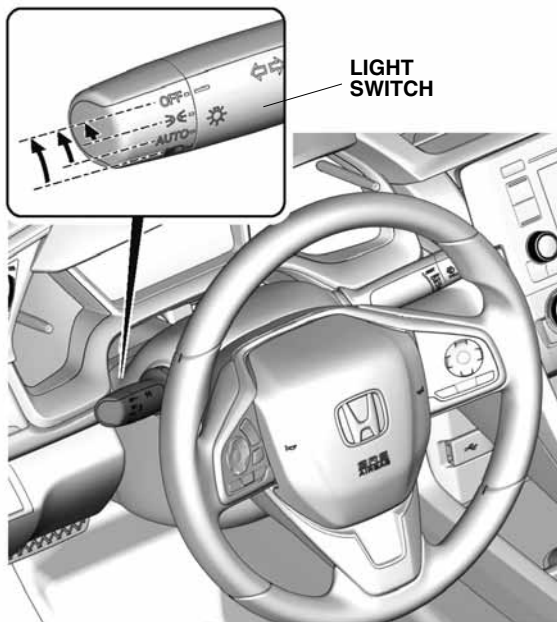
QE32316AJ

39. Plug the ambient light harness 4-pin connector into the ambient light and install the front passenger's under cover.

40. Check that all wire harnesses are routed properly and all connectors are plugged in.
41. Install all removed parts.
42. Connect the negative cable to the battery.
43. Turn the ignition to ON; the SRS indicator should come on for about 6 seconds and then go off.
44. Press and hold the audio unit power button for 2 seconds to restore the audio and navi (if equipped) system functions.
45. Set the clock on vehicles without.
46. If necessary, restore the systems back to normal operation as described in the service information.

### Check the Operation of the Interior Illumination

47. Set the light switch to the  or  position. The ambient lights should be on.
48. Set the headlight switch to the AUTO position. The ambient lights should be on with the parking lights or headlights.
49. Check that the interior illumination brightness varies along with the instrument panel brightness by turning the brightness control knob.
50. If the ambient lights do not come on, check the fuse and all the connectors.



QE32317AJ