



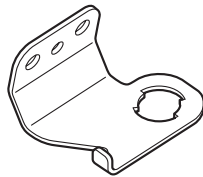
**INSTALLATION  
INSTRUCTIONS**

<b>Accessory</b>  <b>AMBIENT LIGHTS</b>	<b>Application</b>  2015 CIVIC 2 AND 4-DOOR	<b>Publications No.</b> <b>VERSION 1</b>
		<b>Issue Date</b> <b>SEPT 2014</b>

**PARTS LIST**

**Ambient Light Kit**  
**P/N 08E10-TR0-100C (Si models)**  
**P/N 08E10-TR0-100D (Non-Si models)**

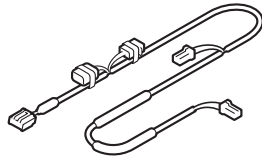
Left bracket



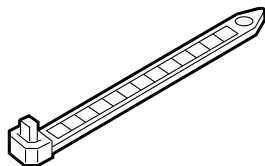
Right bracket



Ambient light harness



9 Wire ties



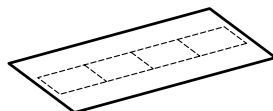
Self-tapping screw



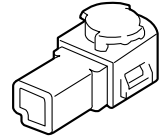
Flange nut



Fuse label



2 Ambient lights



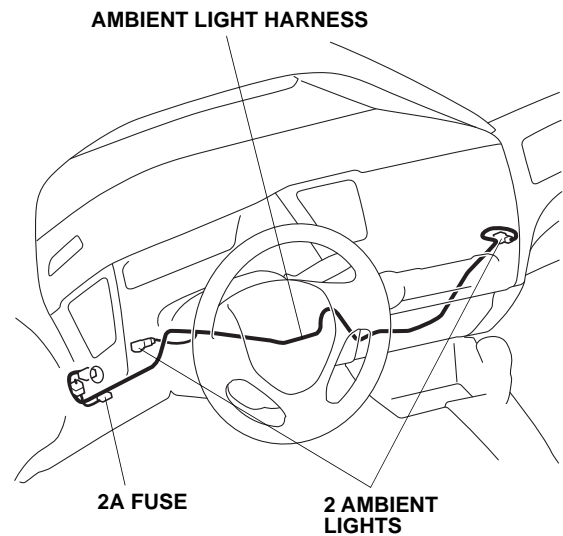
**TOOLS AND SUPPLIES REQUIRED**

- Phillips screwdriver
- Diagonal cutters
- 10 mm Open end wrench
- Isopropyl alcohol
- Shop towel
- File
- Hacksaw
- Ratchet
- 8 mm and 10 mm Sockets
- Felt-tip pen
- Tape

*The following tool is available through the Honda Tool and Equipment Program. On the iN, click on: Service > Service Bay > Tool and Equipment Program, then enter the number under "Search". Or, call 888-424-6857.*

- Trim Tool Set (T/N SOJATP2014)

**Illustration of the Ambient Lights in the Vehicle**

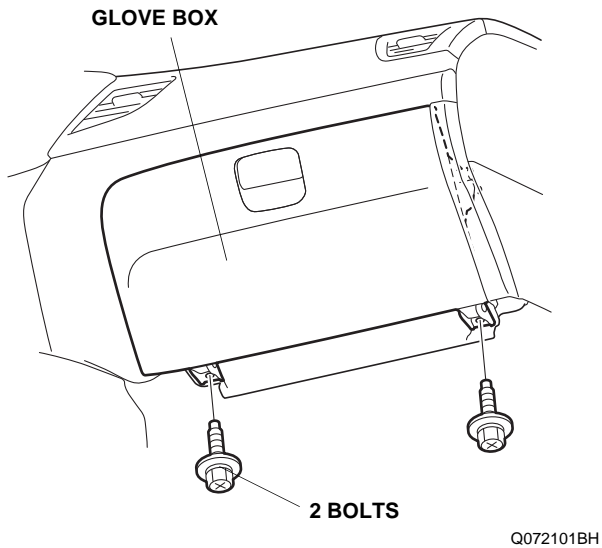


QB62501AJ

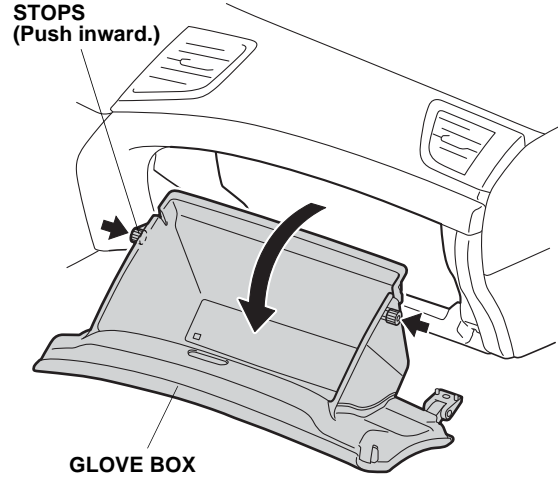
## INSTALLATION

**Customer Information:** The information in this installation instruction is intended for use only by skilled technicians who have the proper tools, equipment, and training to correctly and safely add equipment to your vehicle. These procedures should not be attempted by “do-it-yourselfers.”

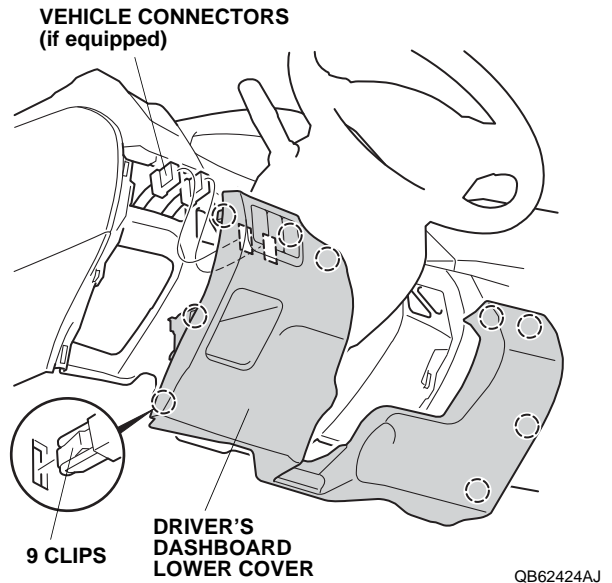
1. Disconnect the negative cable from the battery.
2. Remove the glove box:
  - Remove two bolts.



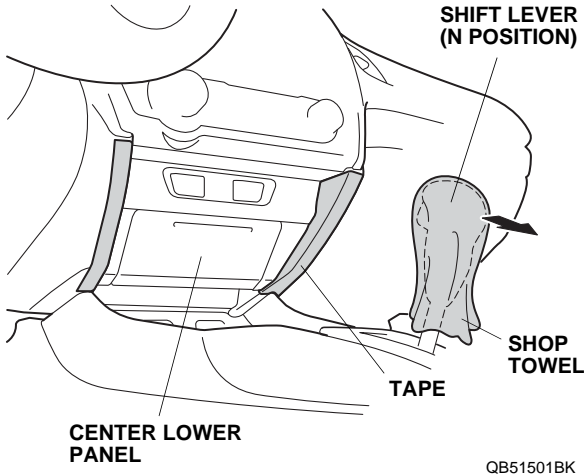
- Open the glove box, push inward on the stops, and remove the glove box.



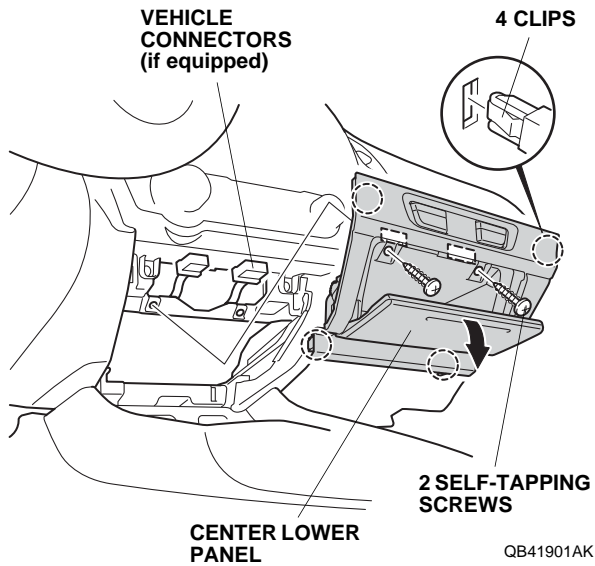
3. Remove the driver's dashboard lower cover (nine clips and unplug the vehicle connectors, if equipped).



- To protect the vehicle, attach tape to the dashboard in the areas shown. Move the shift lever to the N (neutral) position, and wrap a shop towel around the shift lever.

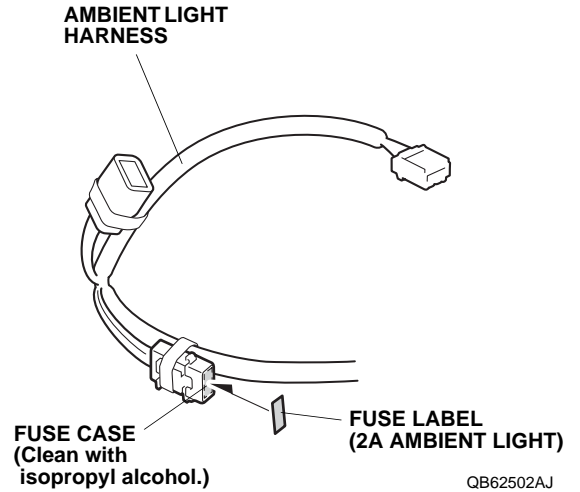


- Remove the center lower panel (two self-tapping screws, four clips, and unplug the vehicle connectors, if equipped).



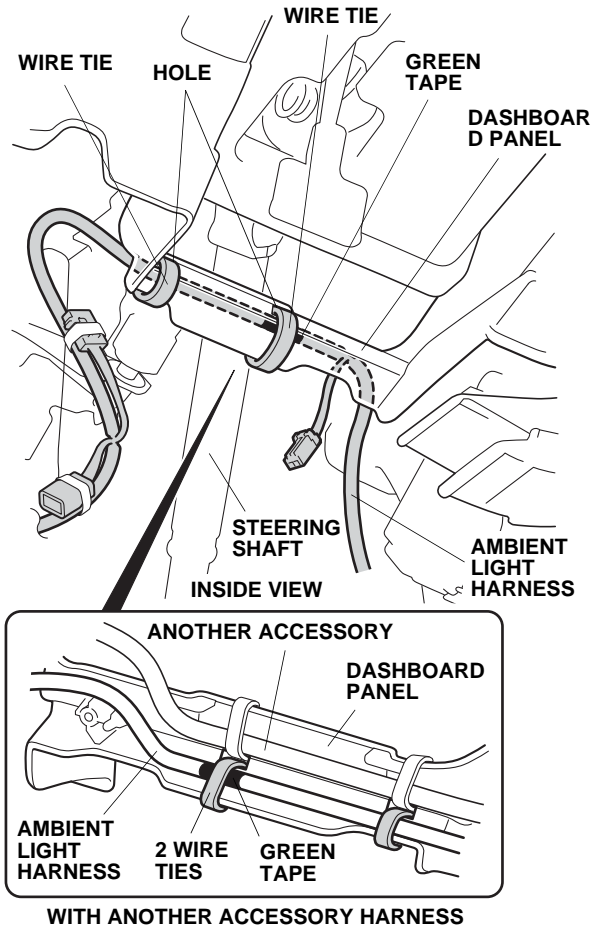
### Routing the Ambient Light Harness

- Get the ambient light harness. Using isopropyl alcohol on a shop towel, clean the fuse case where the fuse label will attach.



- Attach the fuse label (2A AMBIENT LIGHT) to the ambient light harness fuse case.

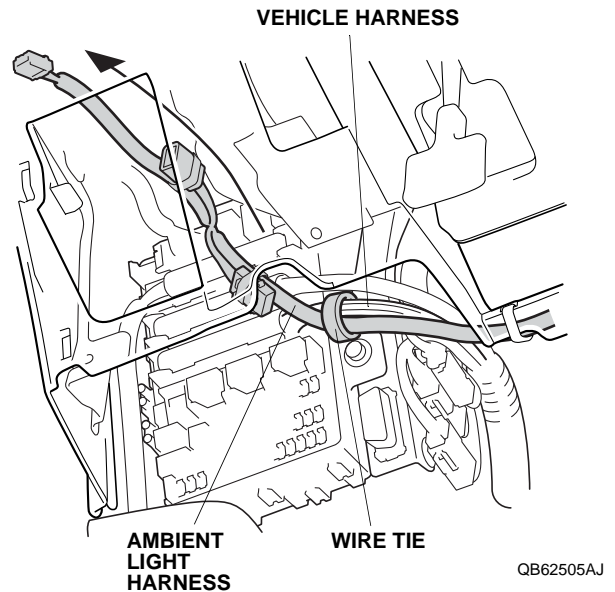
- Under the driver's dashboard, align the green tape on the ambient light harness with the hole in the dashboard panel. Secure the ambient light harness to the dashboard panel with one wire tie at the green tape. If another accessory harness is already attached to the dashboard panel, route and attach the ambient light harness below the other harness.



Q072106BH

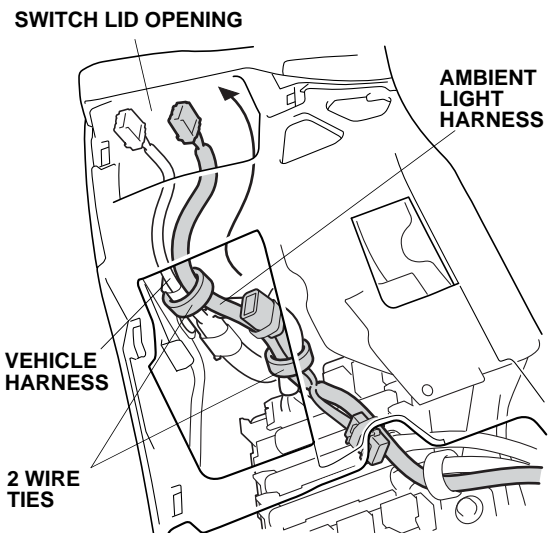
- Secure the ambient light harness with one additional wire tie in the other hole in the dashboard panel.

- Route the ambient light harness in the direction shown, and secure it to the vehicle harness with one wire tie.



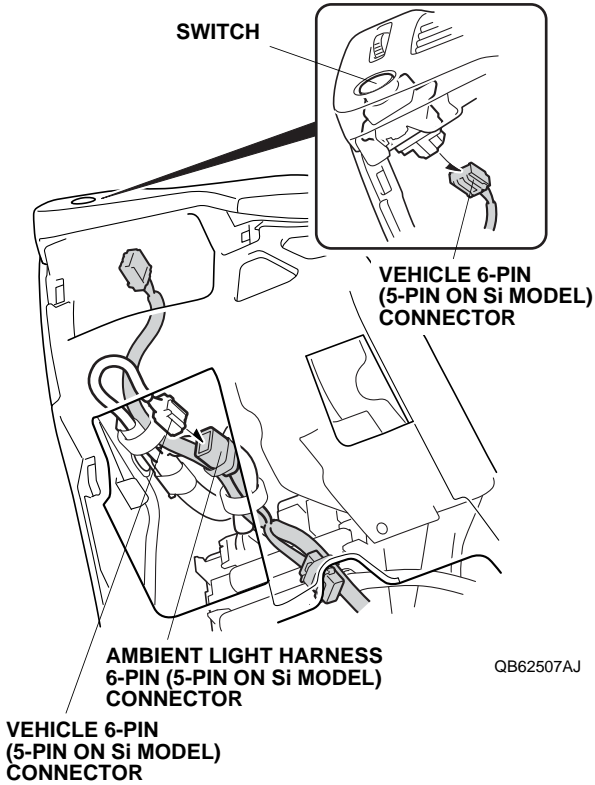
QB62505AJ

- Route the ambient light harness up to the switch lid opening, and secure it to the vehicle harness with two wire ties.

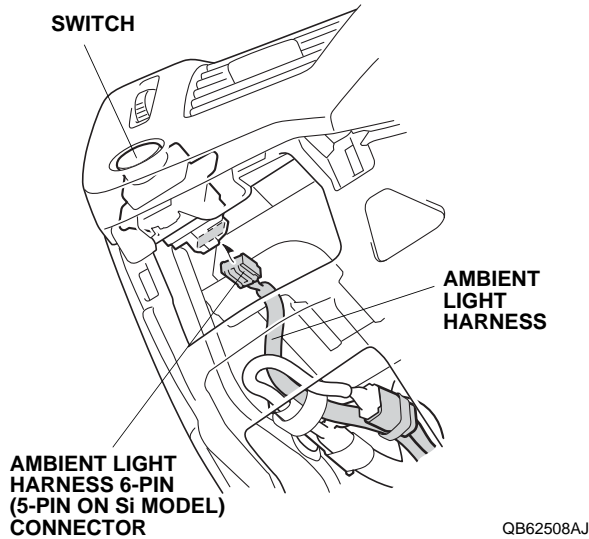


QB62506AJ

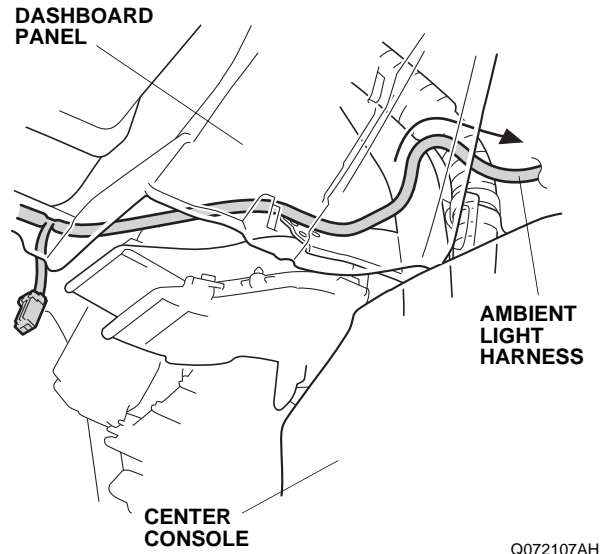
- 12. Unplug the vehicle 6-pin (5-pin on Si model) connector from the switch, and plug it into the ambient light harness 6-pin (5-pin on Si model) connector.



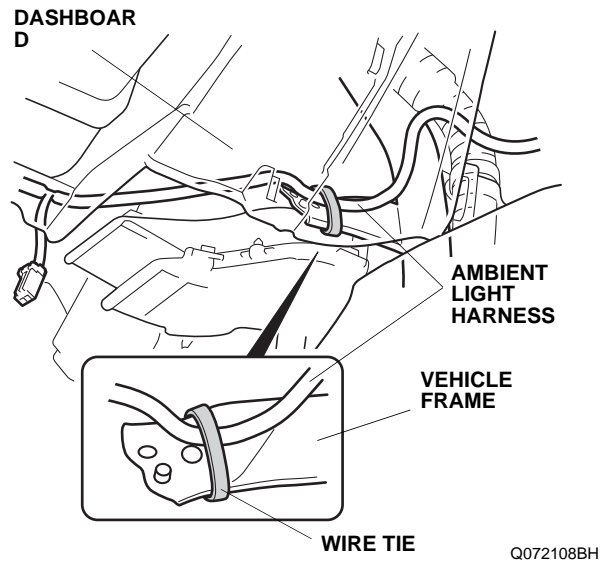
- 13. Plug the ambient light harness 6-pin (5-pin on Si model) connector into the switch.



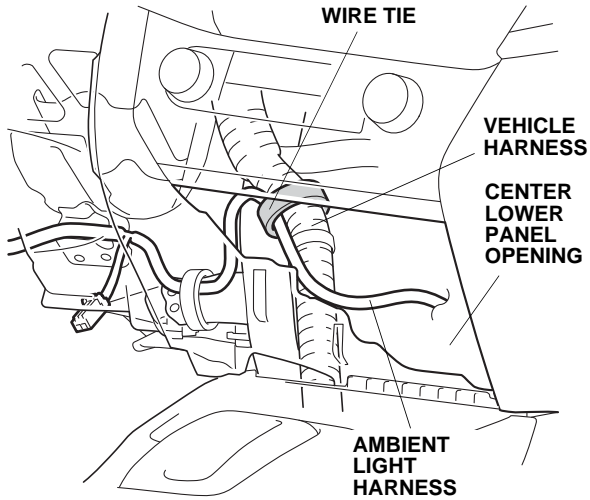
- 14. Route the ambient light harness 2-pin connector toward the passenger's side of the vehicle.



- 15. Secure the ambient light harness to the vehicle frame with one wire tie.

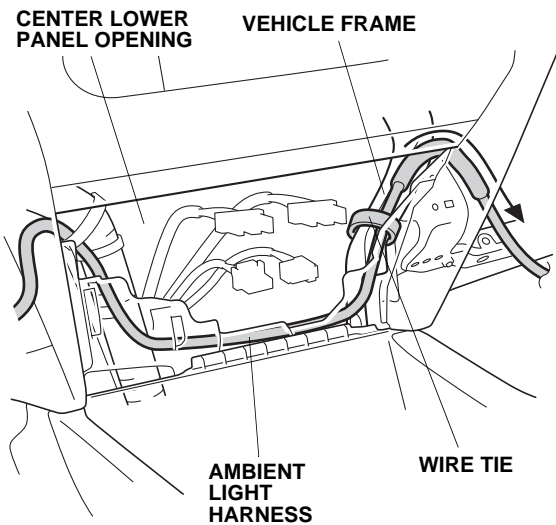


16. Inside the center lower panel opening, secure the ambient light harness to the vehicle harness with one wire tie.



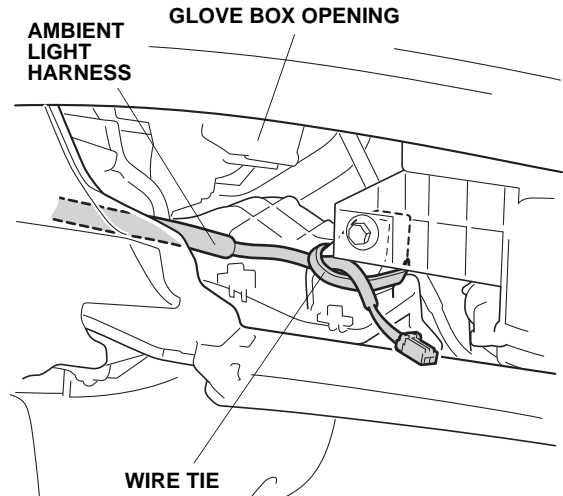
QB62503AJ

17. Continue routing the ambient light harness to the passenger's side of the vehicle, and secure the ambient light harness to the vehicle frame with one wire tie.



QB62504AJ

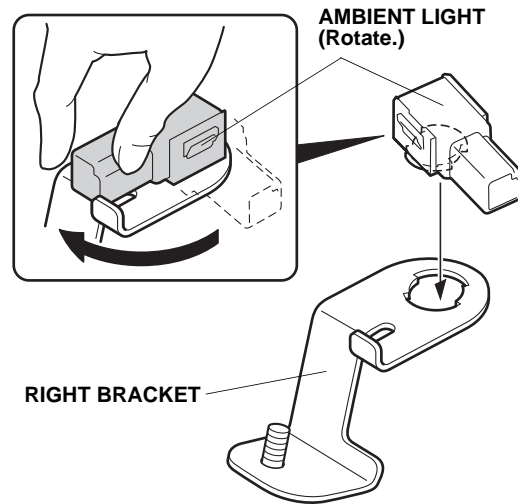
18. Inside the glove box opening, secure the ambient light harness with one wire tie at the location shown.



Q072111AH

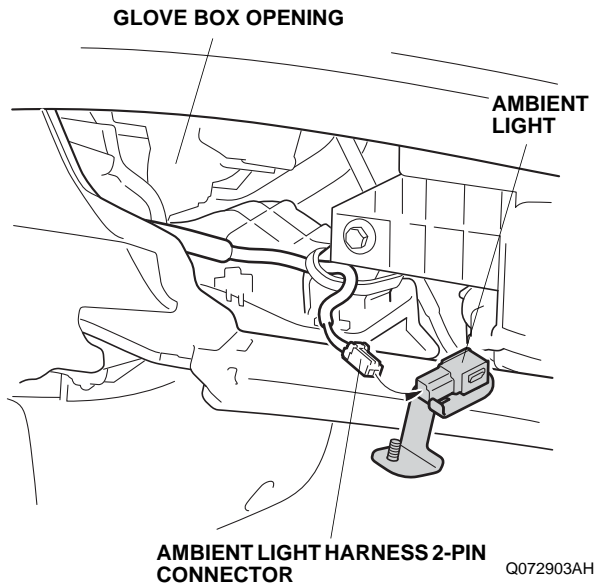
### Installing the Ambient Lights

19. Install the ambient light to the right bracket by rotating it into position.

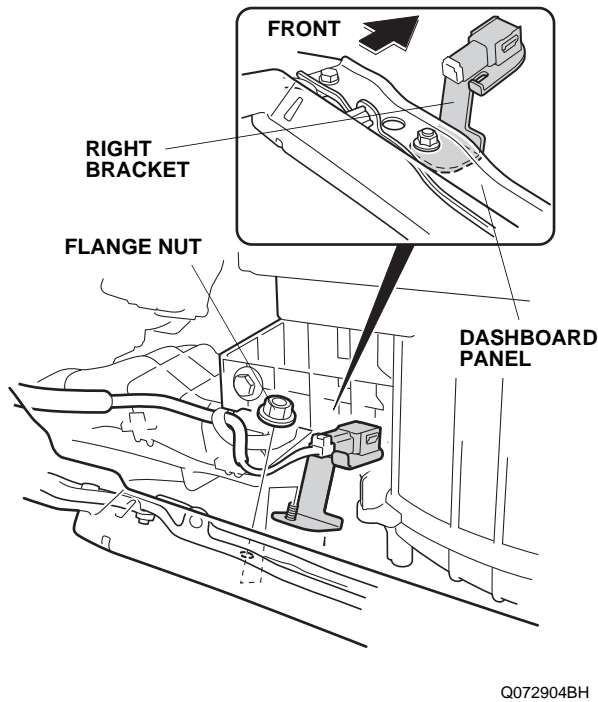


Q072902AH

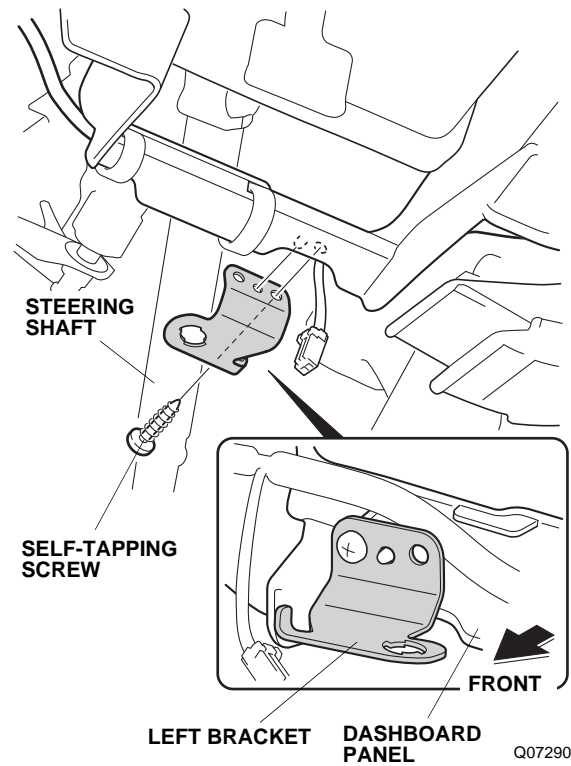
- 20. Plug the ambient light harness 2-pin connector into the ambient light.



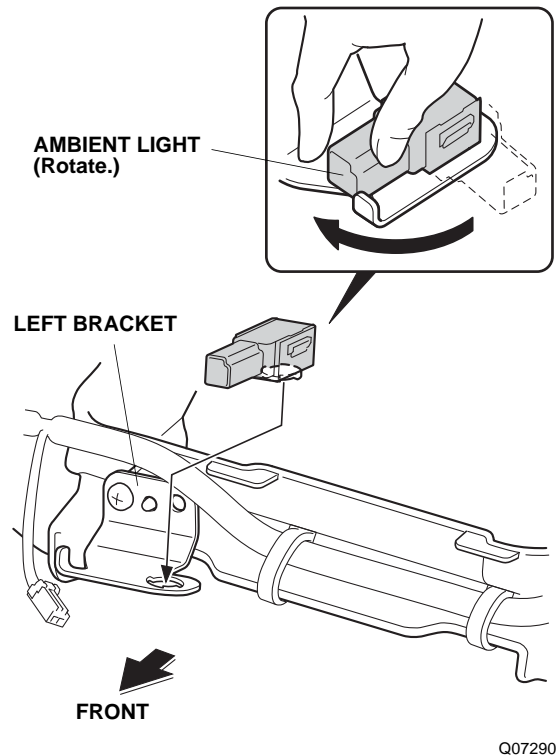
- 21. Install the right bracket through the hole in the dashboard panel and secure it with the flange nut.



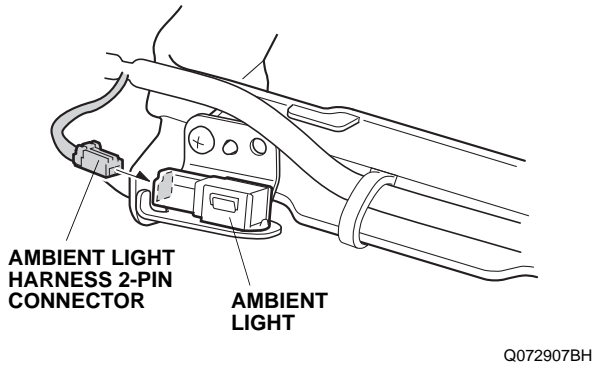
- 22. Install the left bracket to the dashboard panel and secure it with one self-tapping screw.



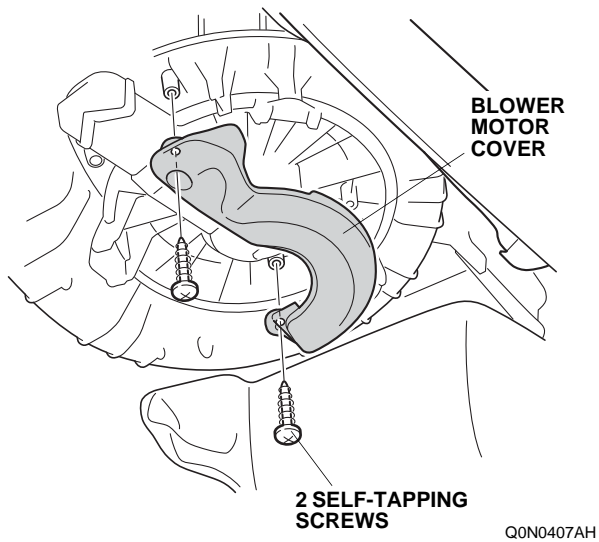
- 23. Install the ambient light to the left bracket by rotating it into position.



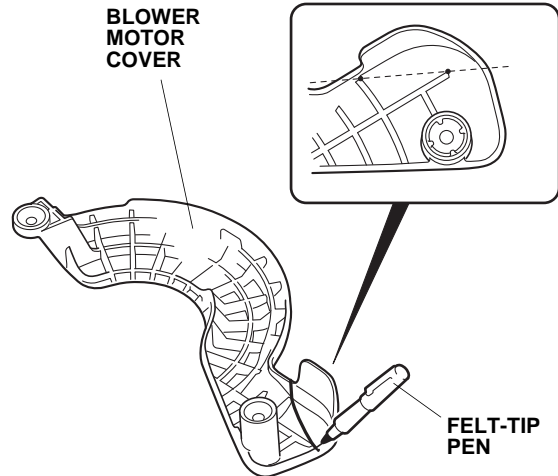
24. Plug the ambient light harness 2-pin connector into the ambient light.



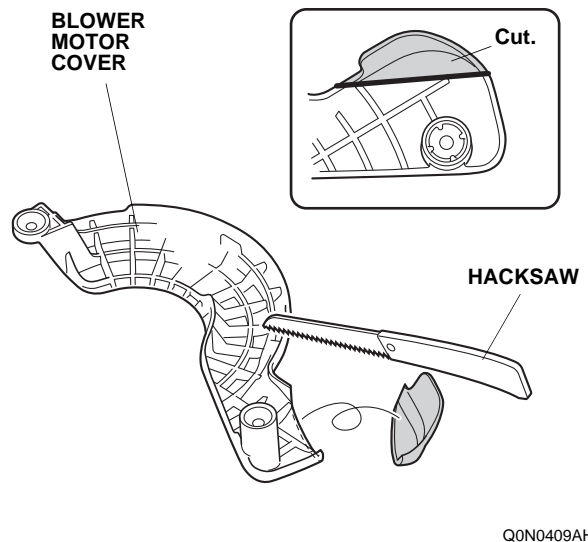
25. Remove the blower motor cover (two self-tapping screws).



26. Using a felt-tip pen, mark the blower motor cover at the location shown.



27. Using a hacksaw, cut the blower motor cover at the mark you made. Remove any burrs.

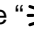
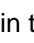


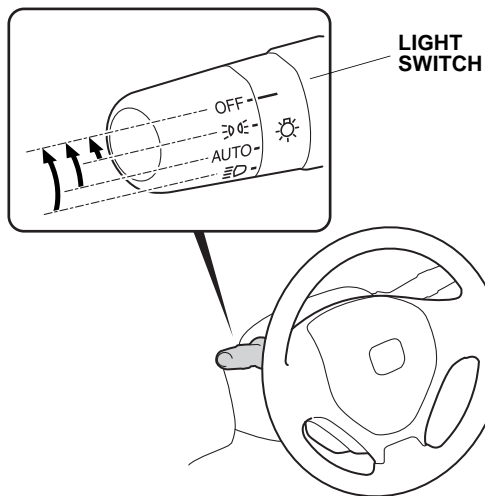
28. Reinstall the blower motor cover.



29. Check that all wire harnesses are routed properly and all connectors are plugged in.
30. Reinstall all removed parts.
31. Reconnect the negative cable to the battery.
32. Press and hold the radio power button for two seconds to restore the radio and navi (if equipped) system functions.
33. Reset the clock.
34. If the IMA battery level gauge is at zero, start the engine and hold the rpm between 3500 and 4000 (no load) in P or N position until the Charge/Assist meter indicates the IMA system has stopped charging the battery.

## HOW TO OPERATE

- With the light switch set to the “” or “” position, the ambient lights are on.
- When the headlight switch is in the “AUTO” position, the ambient lights are on with the parking lights or headlights.
- If the ambient lights do not come on, check the fuse and all the connectors.



QB62509AJ