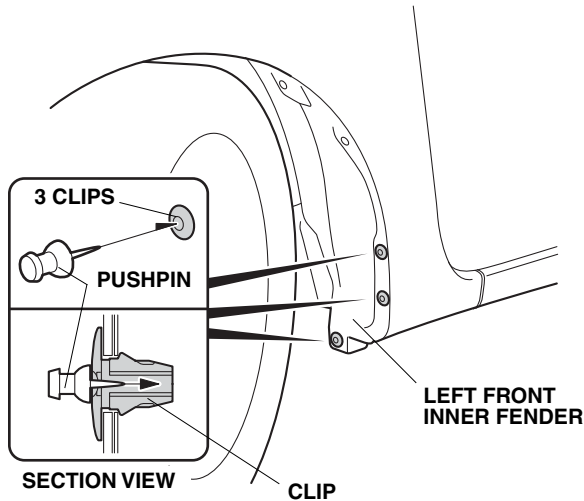




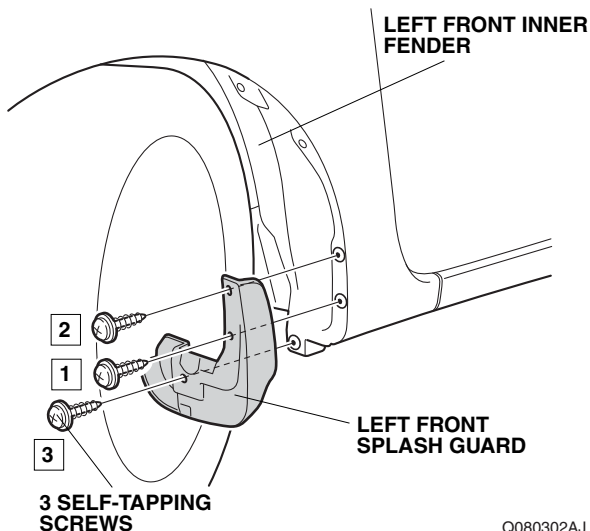
## Installing the Front Splash Guards

1. Turn the steering wheel fully counterclockwise.



Q080301BJ

2. Using a pushpin, pierce the centers of the three clips shown on the left front inner fender.
3. Secure the left front splash guard with three self-tapping screws in the order shown below.  
NOTE: Make sure there is no gap between the left front splash guard and the vehicle body. If there is a gap, loosen the self-tapping screws, hold the splash guard against the body, and retighten the screws.

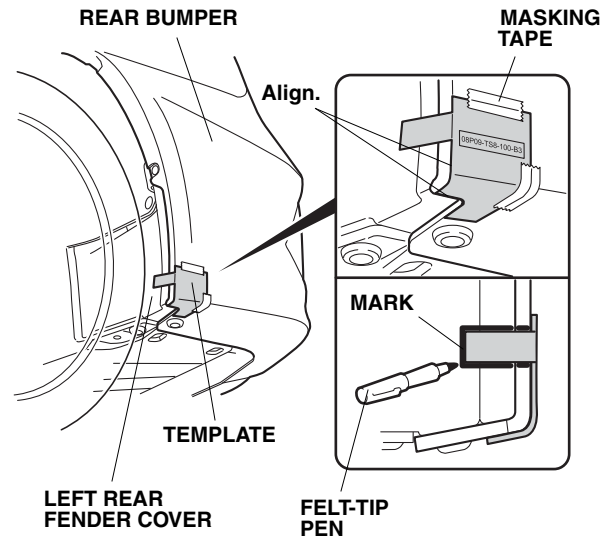


Q080302AJ

4. Turn the steering wheel fully clockwise, and repeat steps 2 and 3 to install the right front splash guard on the right side of the vehicle.

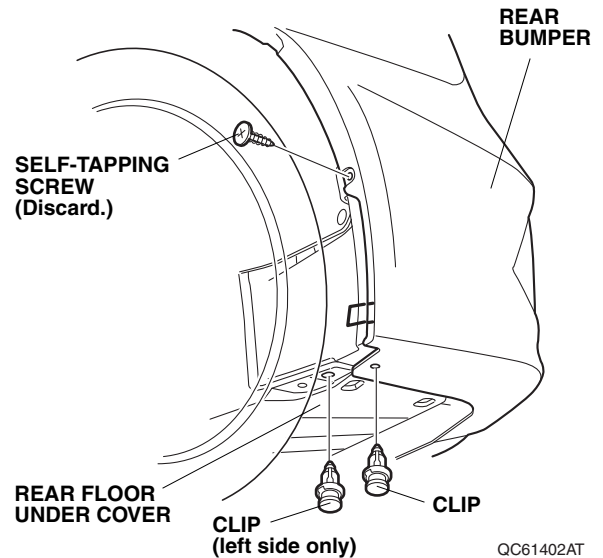
## Installing the Rear Splash Guards

5. Align template with the rear bumper, and attach template using strips of masking tape.



QC61401AT

6. Using a felt-tip pen, mark the rear bumper and the left rear fender cover as shown.
7. Remove template.  
NOTE: Do not damage the template. It is also used on the right side of the vehicle.
8. Remove one self-tapping screw and two clips from the rear bumper and the rear floor under cover.



QC61402AT

