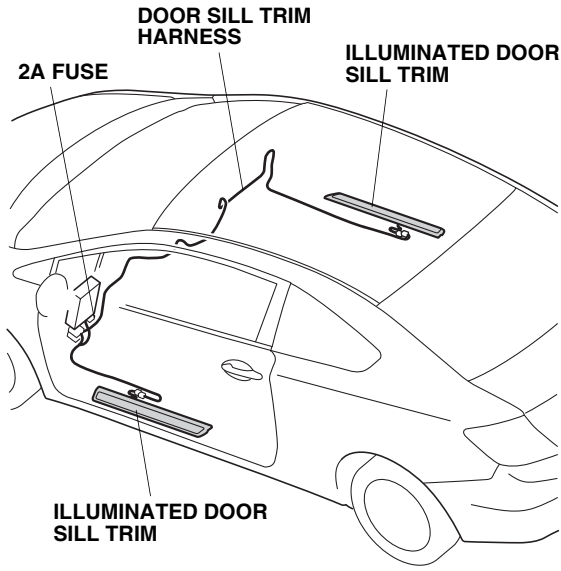




**Illustration of the Illuminated Door Sill Trim in the Vehicle**



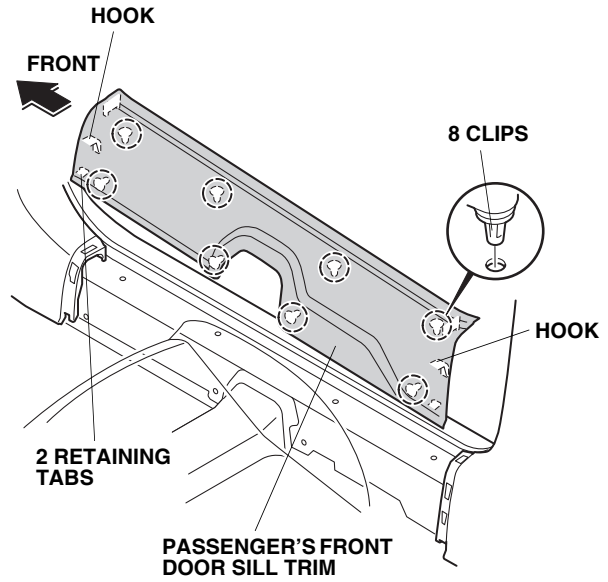
QC72301AT

**INSTALLATION**

**Customer Information:** The information in this installation instruction is intended for use only by skilled technicians who have the proper tools, equipment, and training to correctly and safely add equipment to your vehicle. These procedures should not be attempted by "do-it-yourselfers."

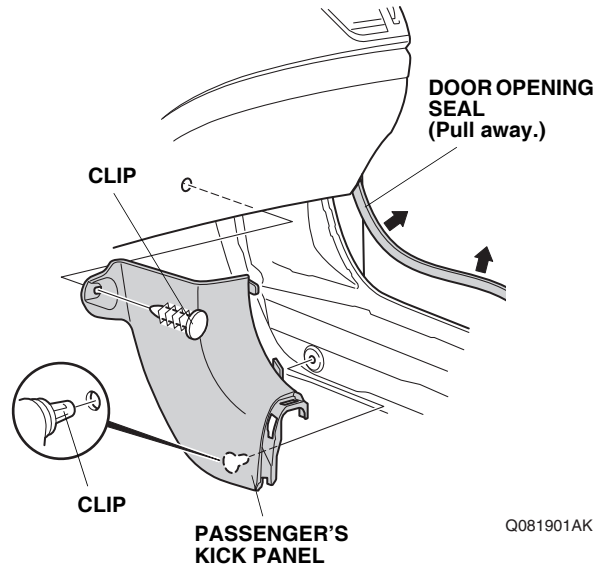
1. Disconnect the negative cable from the battery.

2. Release the passenger's front door sill trim (eight clips, two hooks, and two retaining tabs).



QC72326AT

3. Pull away the door opening seal, and remove the passenger's kick panel (two clips).



Q081901AK



































