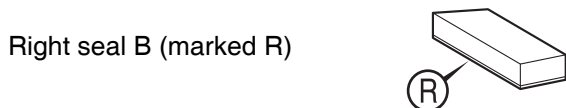
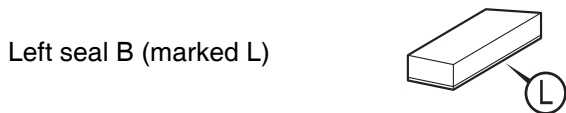




## INSTALLATION INSTRUCTIONS

<b>Accessory</b>  <b>DOOR VISORS</b> <b>P/N 08R04-TR0-100</b>	<b>Application</b>  <b>2013 CIVIC</b> <b>4-DOOR</b>	<b>Publications No.</b> <b>All 13075</b>
		<b>Issue Date</b> <b>NOV 2012</b>

### PARTS LIST



### TOOLS AND SUPPLIES REQUIRED

- Isopropyl alcohol
- Shop towel
- Soft towel
- Masking tape
- Ruler

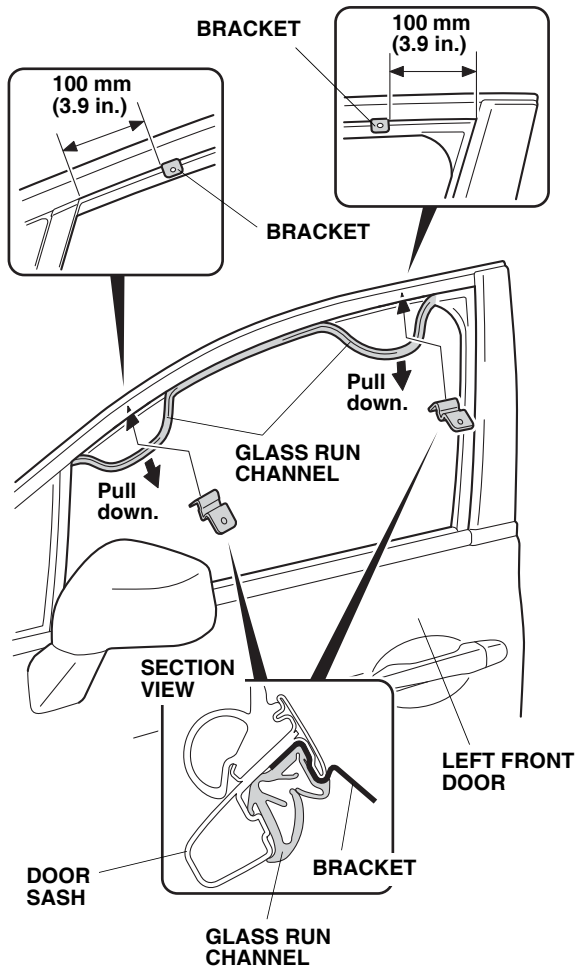
### INSTALLATION

#### NOTE:

- Visors may not be legal in all states. Please check the laws of your state.
- These instructions show the left door visors being installed. The same procedure applies to installing the right door visors.
- Be careful not to damage the body paint finish and glass run channels when installing the door visors.
- Handle the door visors with care. They are not designed to absorb shock or impact.
- This door visors kit should be installed only if the ambient air temperature is 15°C (60°F) or above.
- To allow the adhesive to cure, do not wash the vehicle for 24 hours. Please advise the customer.

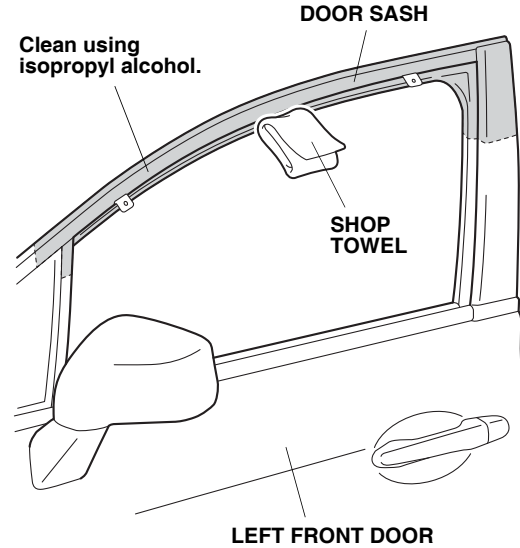
## Installing the Front Door Visors

1. Fully open the driver's window. Pull down the glass run channel in the areas shown.

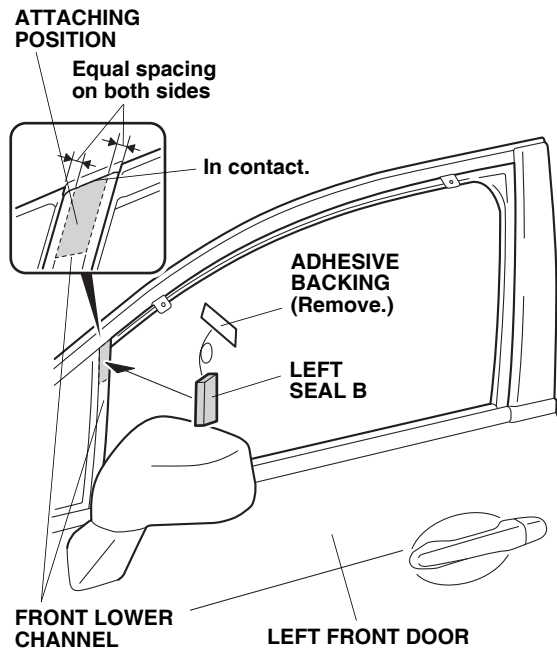


2. Install two brackets between the door sash and the glass run channel at the measurements shown. Seat the glass run channel properly around the brackets.

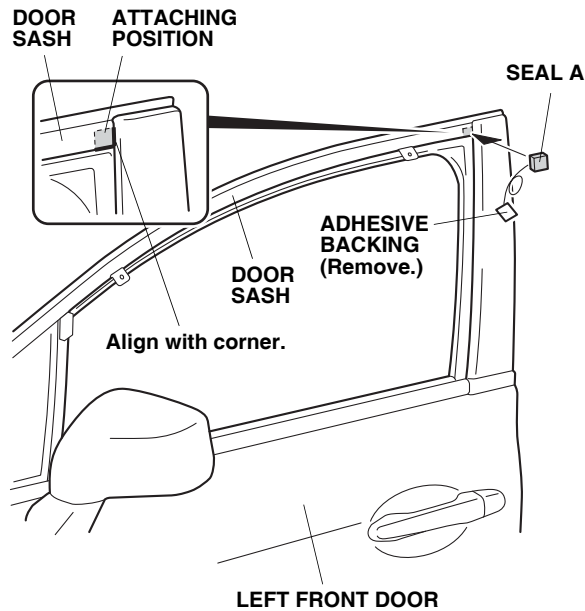
3. Using isopropyl alcohol on a shop towel, thoroughly clean the area where the left front door visor will attach.



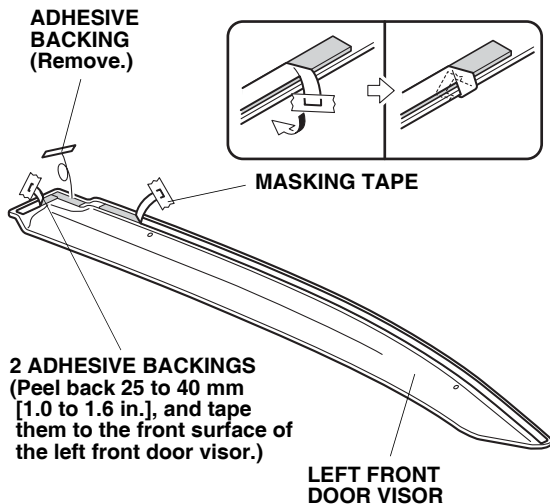
4. Adjust the position of the left seal B so there is equal spacing on both sides. Remove the adhesive backing from the left seal B, and attach it to the front lower channel.



5. Remove the adhesive backing from the seal A, and attach it to the door sash in the area shown.

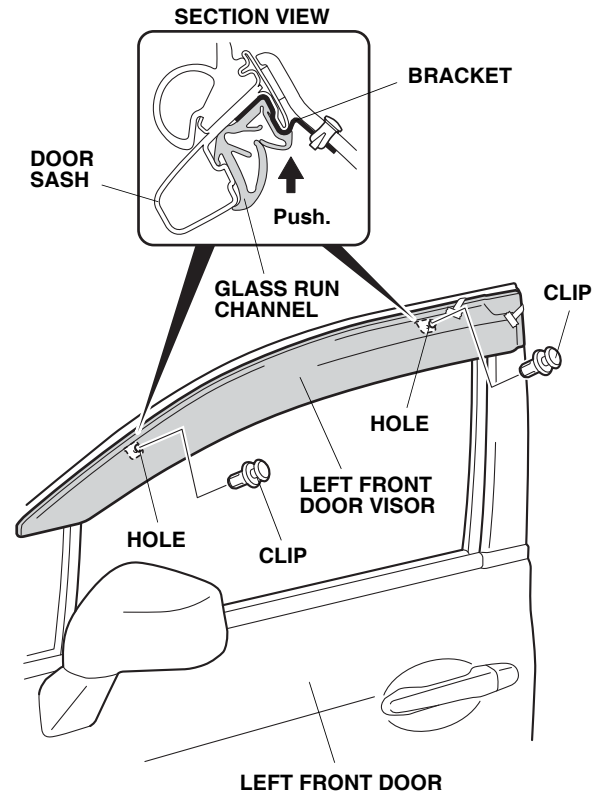


6. Peel back about 25 to 40 mm (1.0 to 1.6 in.) of adhesive backing from each adhesive tape, and tape the ends to the front surface of the left front door visor. Remove the other adhesive backing.

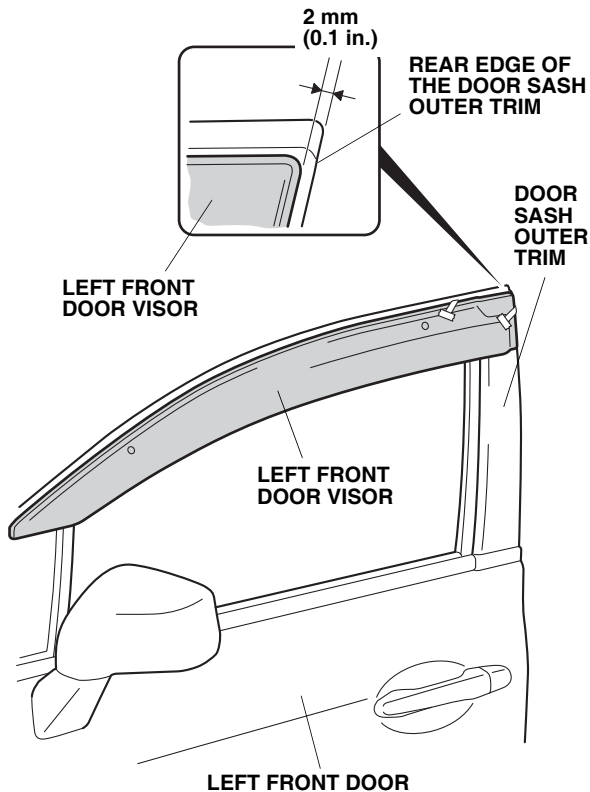


7. Align the clip holes in the left front door visor with the bracket holes, and install the two clips. There should be no clearance between the brackets and the door sash.

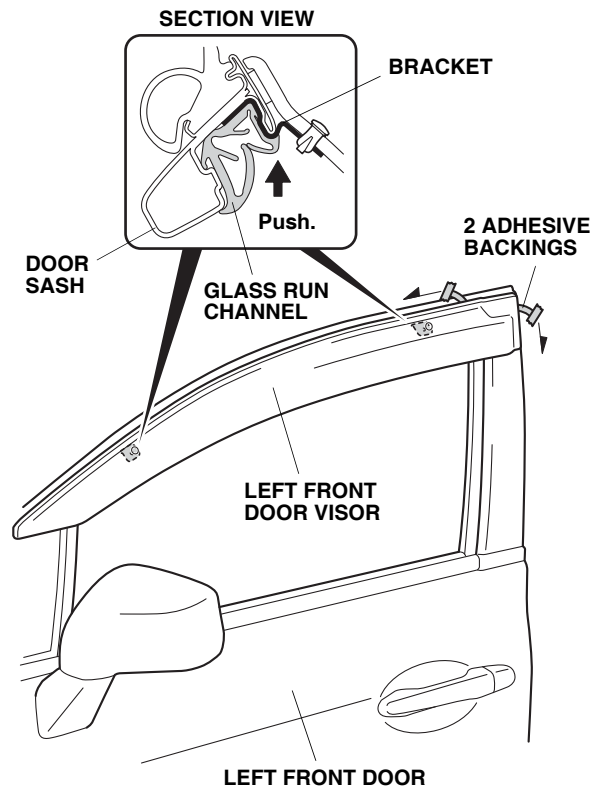
NOTE: Be extremely careful when installing the clips, they cannot be reinstalled after installation.



8. Adjust the left front door visor to the position shown.



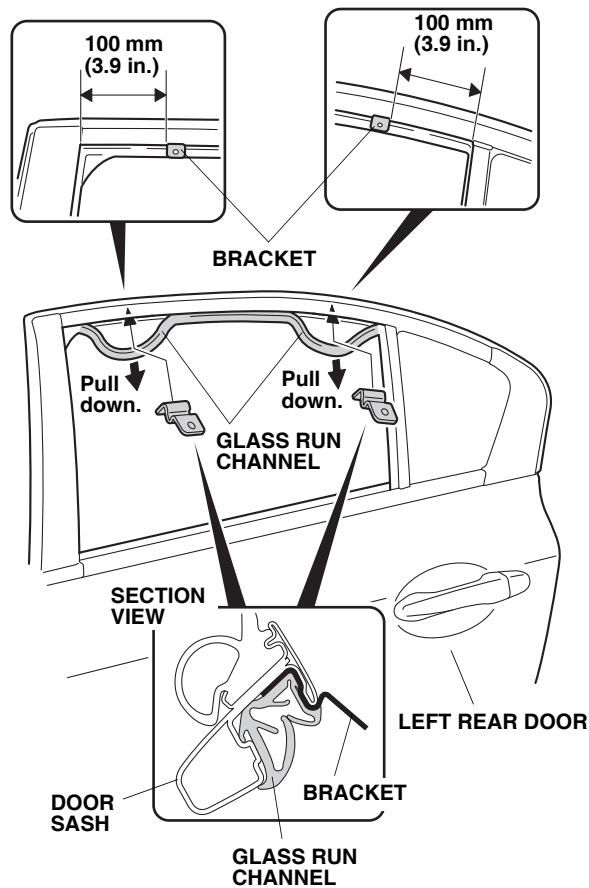
9. While applying light pressure against the left front door visor, carefully remove the adhesive backings. Use your finger to push up each bracket so there is no gap between the brackets and the door sash.



10. Using a soft towel, press and hold the left front door visor against the door sash for 30 seconds.
11. Repeat steps 1 through 10 to install the right front door visor on the right side of the vehicle.

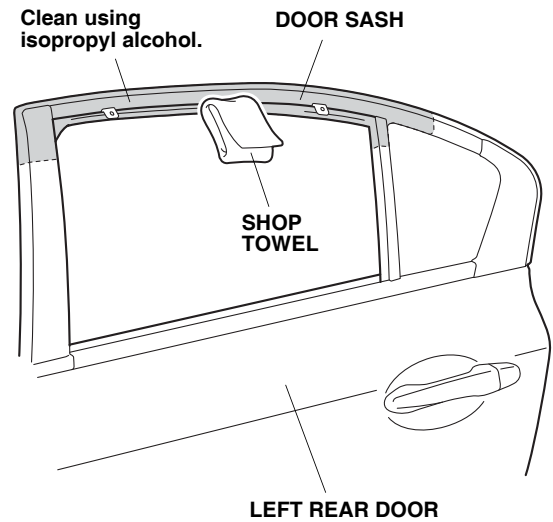
## Installing the Rear Door Visors

12. Fully open the left rear window. Pull down the glass run channel in the areas shown.

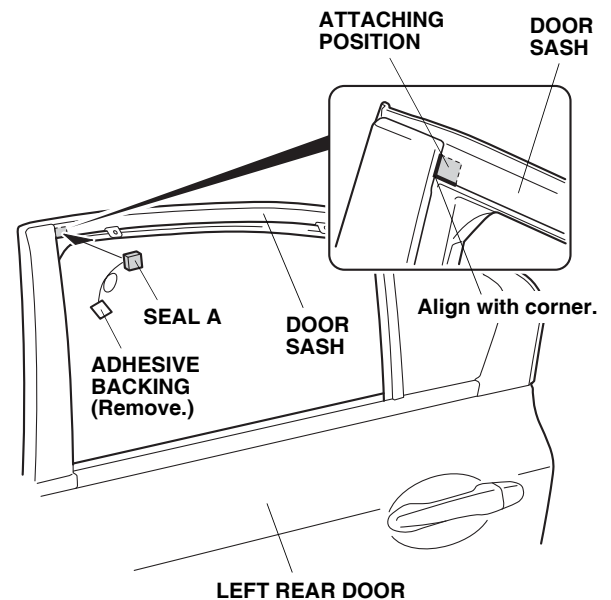


13. Install two brackets between the door sash and the glass run channel at the measurements shown. Seat the glass run channel properly around the brackets.

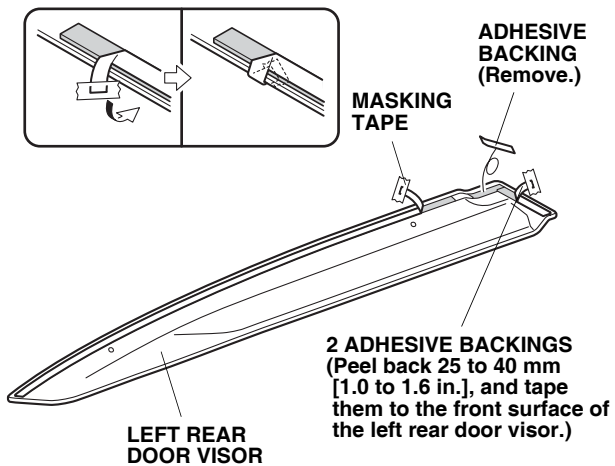
14. Using isopropyl alcohol on a shop towel, thoroughly clean the area where the left rear door visor will attach.



15. Remove the adhesive backing from seal A, and attach it to the door sash.

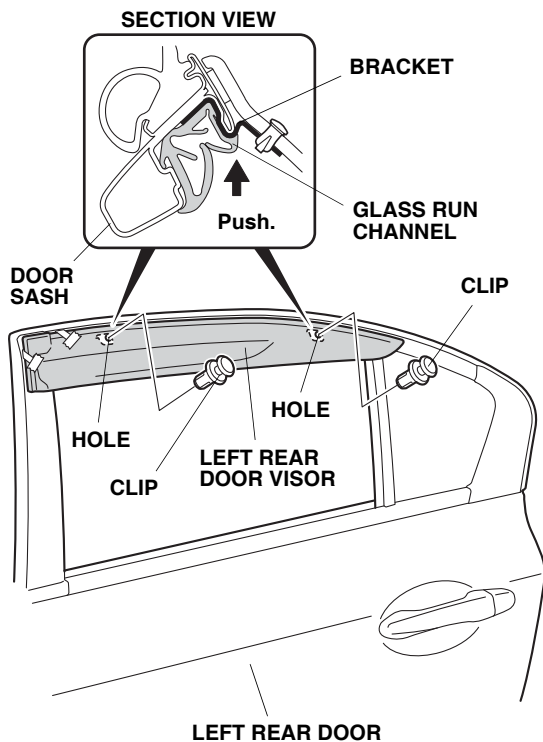


16. Peel back about 25 to 40 mm (1.0 to 1.6 in.) of adhesive backing from each adhesive tape, and tape the ends to the front surface of the left rear door visor. Remove the other adhesive backing.

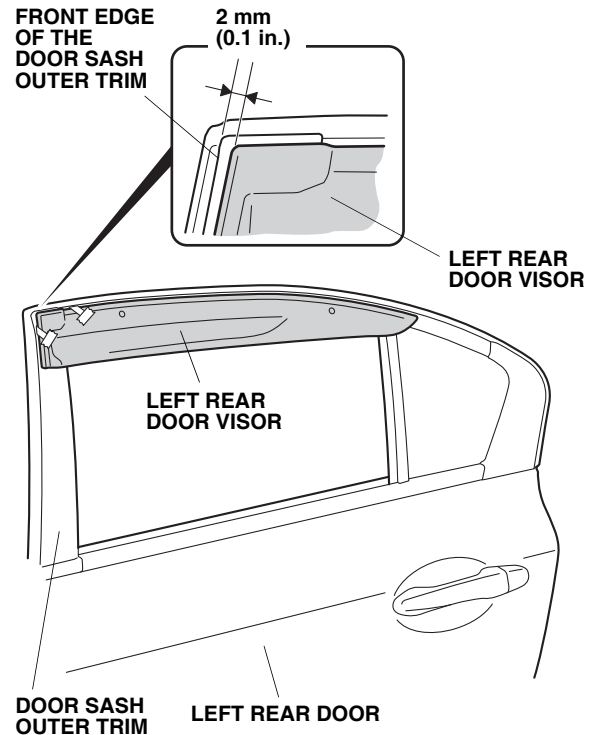


17. Align the clip holes in the left rear door visor with the bracket holes, and install the two clips. There should be no clearance between the brackets and the door sash.

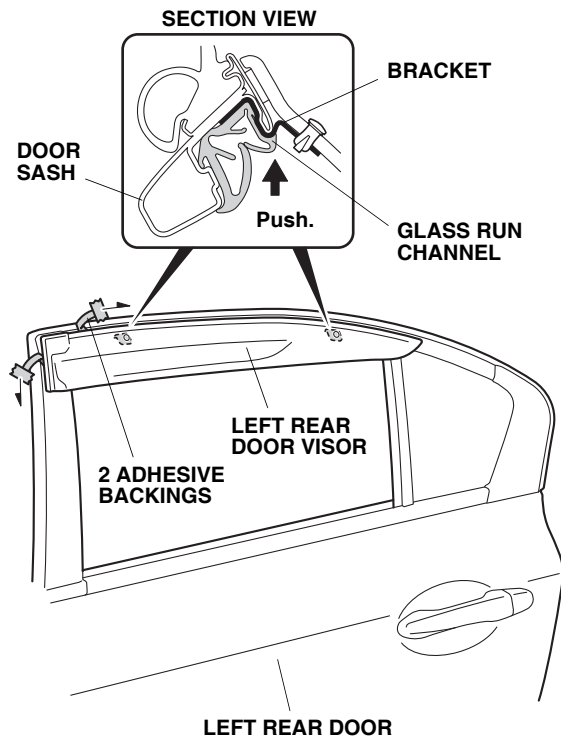
NOTE: Be extremely careful when installing the clips, they cannot be reinstalled after installation.



18. Adjust the left rear door visor to the position shown.



19. While applying light pressure against the left rear door visor, carefully remove the adhesive backings. Use your finger to push up each bracket so there is no gap between the brackets and the door sash.



20. Using a soft towel, press and hold the left rear door visor against the door sash for 30 seconds.
21. Repeat steps 12 through 20 to install the right rear door visor on the right side of the vehicle.

## USE AND CARE

Clean the door visors with mild detergent and water. Do not use organic solvents (thinners, benzene, alcohol, etc.) or cleaners containing any abrasive material.