



INSTALLATION INSTRUCTIONS

Accessory	Application	Publications No.
DOOR EDGE FILM P/N 08P20-TS8-100A	2013 CIVIC 2-DOOR	All 13063
		Issue Date NOV 2012

PARTS LIST

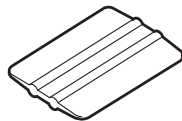
Left door edge film (marked L-SIDE)



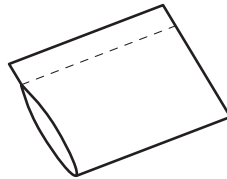
Right door edge film (marked R-SIDE)



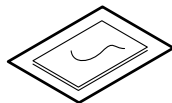
Applicator



Soft sleeve



2 Alcohol wipes



TOOLS AND SUPPLIES REQUIRED

Shop towel

Spray bottle

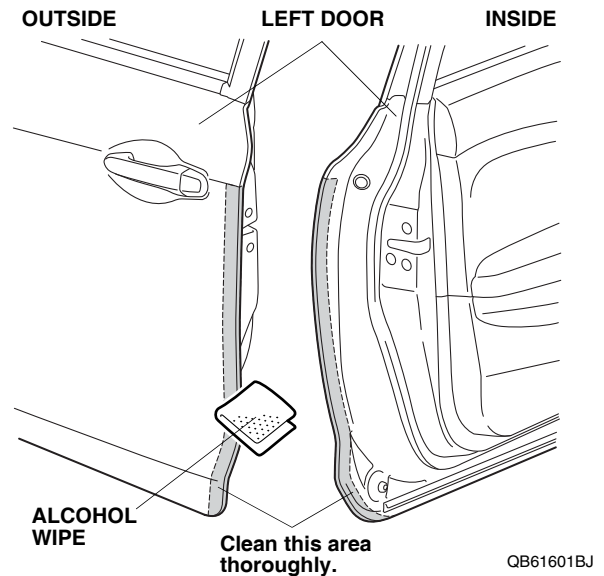
3M Protective tape application solution

Ruler

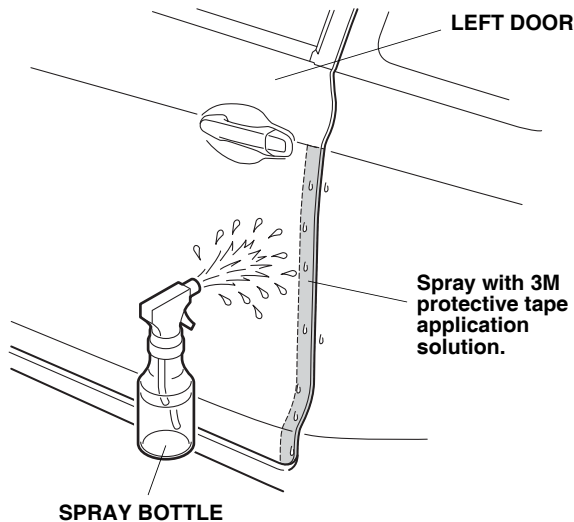
INSTALLATION

NOTE:

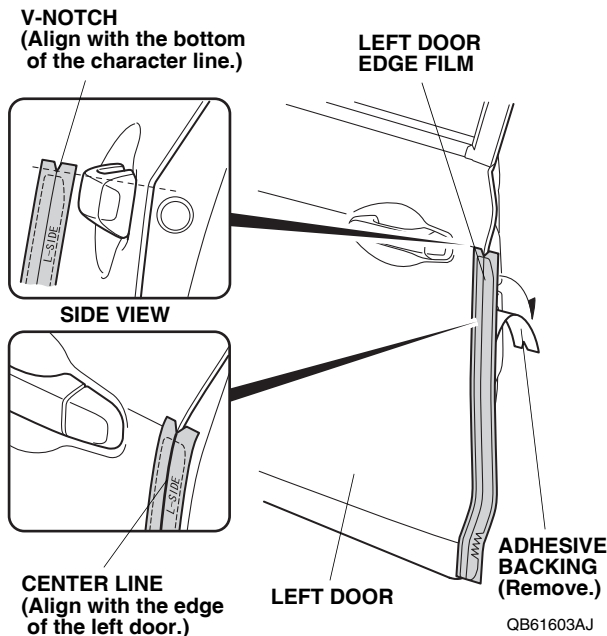
- If you are also installing body side moldings (sold separately), install the door edge film first.
 - These instructions show the left door edge film being installed. The same procedure applies to installing the right door edge film.
 - Identify each door edge film by referring to the identification marks.
 - Be careful not to damage the paint finish.
 - This door edge film kit should be installed only if the ambient air temperature is 15°C (60°F) or above.
 - To allow the adhesive to cure, do not wash the vehicle for 24 hours. Please advise the customer.
1. Open the left door. Using one alcohol wipe, thoroughly clean the area where the left door edge film will attach.



2. Close the left door. Using a spray bottle with 3M protective tape application solution, spray the outer area where the left door edge film will attach.
NOTE: Do not spray the inner surface.

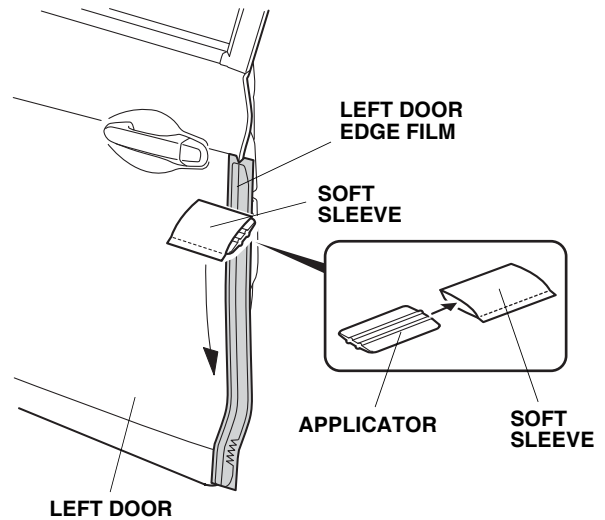


3. Open the left door. Peel back about 50 mm (2.0 in.) of adhesive backing from the left door edge film. Align the V-notch with the bottom of the character line on the left door as shown.

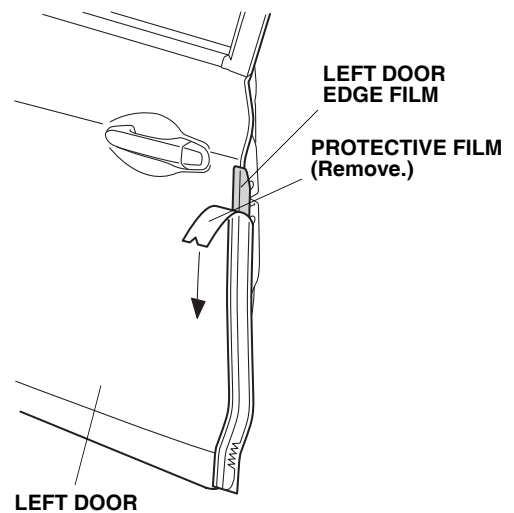


4. Align the center line on the left door edge film with the edge of the left door. While applying light pressure, carefully remove the adhesive backing, and attach the left door edge film to the left door.

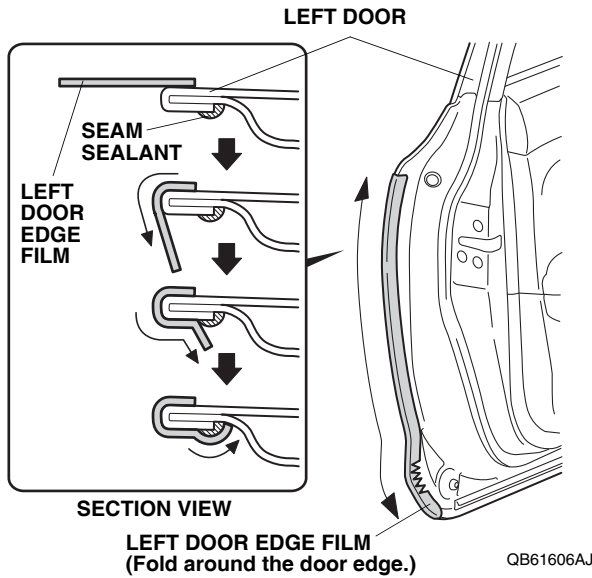
5. Insert the applicator into the soft sleeve. Starting from the top and working downward, use the soft sleeve to smooth the left door edge film. Move the soft sleeve in one direction only.



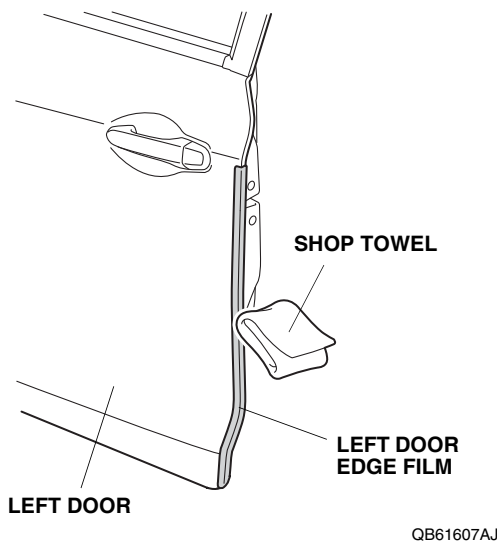
6. Slowly remove the protective film from the left door edge film.



7. Starting from the center and working outward, use your fingers to fold the left door edge film around the edge of the left door as shown. Move your fingers in one direction only. Attach the left door edge film over the seam sealant. Do not trim or damage the seam sealant.



8. Using a shop towel, wipe the excess 3M protective tape application solution from the left door edge film. Allow the left door edge film to dry thoroughly.



9. Repeat steps 1 through 8 to install the right door edge film.