



INSTALLATION INSTRUCTIONS

Accessory

SPLASH GUARDS
P/N 08P00-TR0-100

Application

2012 CIVIC
4-DOOR

Publications No.

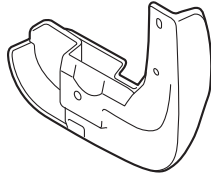
All 45609

Issue Date

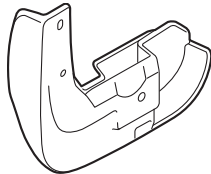
APRIL 2011

PARTS LIST

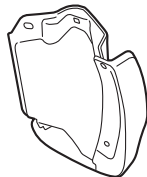
Left front splash guard



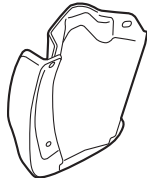
Right front splash guard



Left rear splash guard



Right rear splash guard



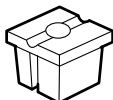
10 Self-tapping screws, 5 x 25 mm



2 Spring nuts



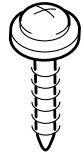
2 Grommets A



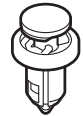
2 Grommets B
(Not used on some models)



2 Self-tapping screws, 5 x 30 mm



3 Clips
(Not used)



TOOLS AND SUPPLIES REQUIRED

Phillips screwdriver

Stubby Phillips screwdriver

Small flat-tip screwdriver

Trim Tool Set (T/N SOJATP2014)

(Available through the Honda tool and Equipment program. On the iN, click on: Service/Service Bay/Tool and Equipment Program, then enter the number under "Search." Or call 888-424-6857.)

Pushpin

High-quality paste wax

INSTALLATION

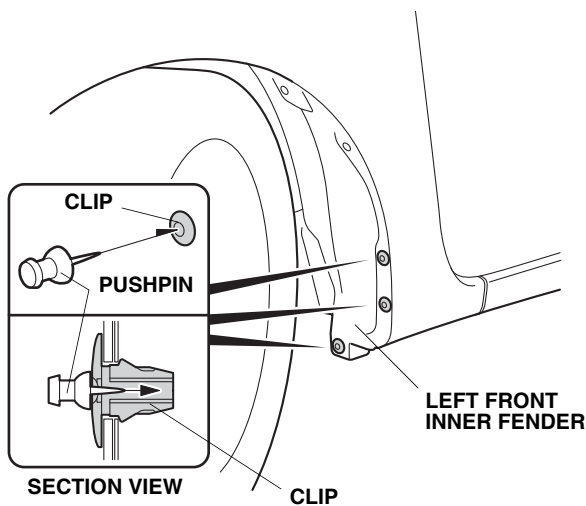
Customer Information: The information in this installation instruction is intended for use only by skilled technicians who have the proper tools, equipment, and training to correctly and safely add equipment to your vehicle. These procedures should not be attempted by “do-it-yourselfers.”

NOTE:

- Be careful not to damage the body paint finish.
- These instructions show the left splash guards being installed. The same procedure applies to installing the right splash guards.
- Clean and wax the areas to be covered with a high-quality paste wax.

Installing the Front Splash Guards

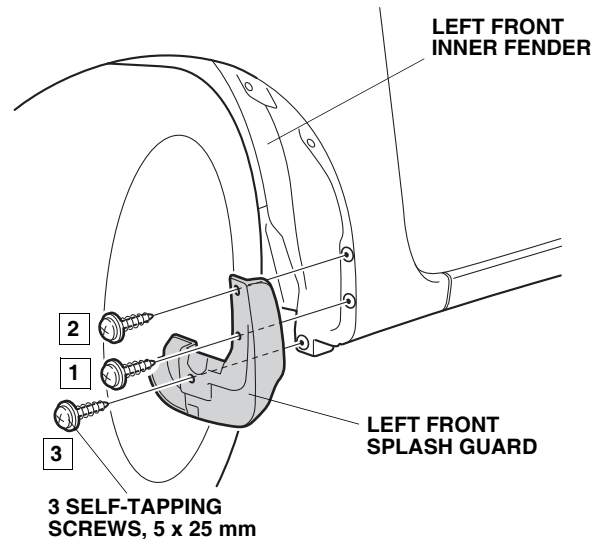
1. Turn the steering wheel fully counterclockwise.



2. Using a pushpin, pierce the centers of three clips on the left front inner fender.

3. Secure the left front splash guard using three 5 x 25 mm self-tapping screws through the clips (pierced in step 2). Tighten the screws in the order shown below.

NOTE: Check that there is no gap between the left front splash guard and the vehicle body. If there is a gap, loosen the three self-tapping screws, hold the splash guard against the body, and retighten the self-tapping screws.



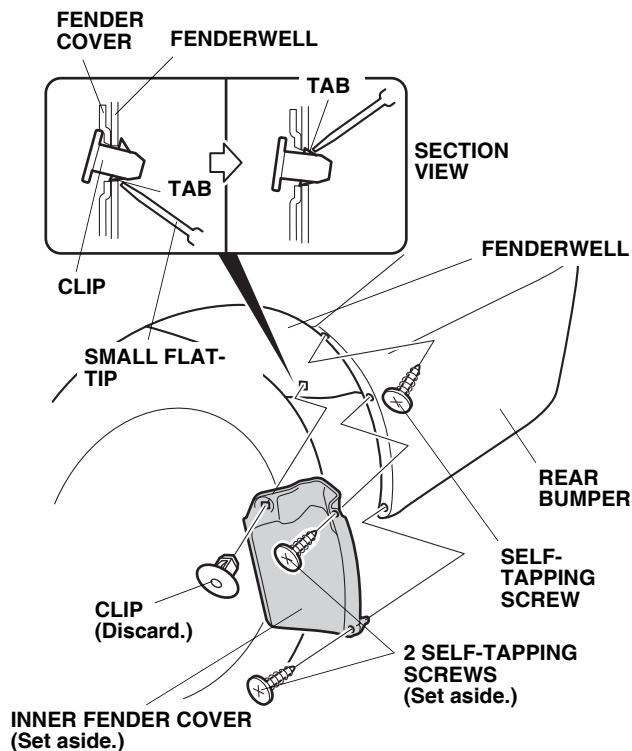
4. Turn the steering wheel fully clockwise, and repeat steps 2 and 3 to install the right front splash guard on the right side of the vehicle.

Installing the Rear Splash Guards

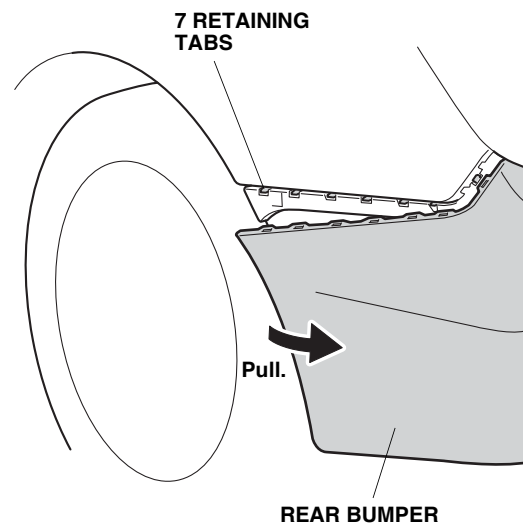
If the vehicle is equipped with an inner fender cover, continue with step 5; otherwise, go to step 13.

5. Remove the inner fender cover:

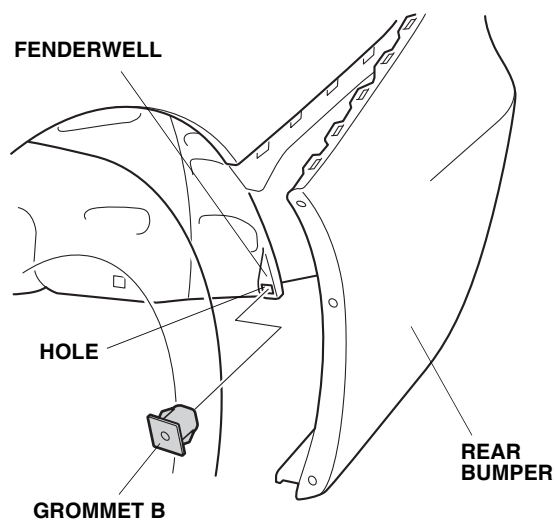
- Pull the inner fender cover outward to loosen the clip.
- Use a small flat-tip screwdriver to release the tabs on the clip, then remove the clip using a trim tool.
- Remove three self-tapping screws from the rear bumper, and remove the inner fender cover. Set the two screws shown and the inner fender cover aside, they will not be reused.



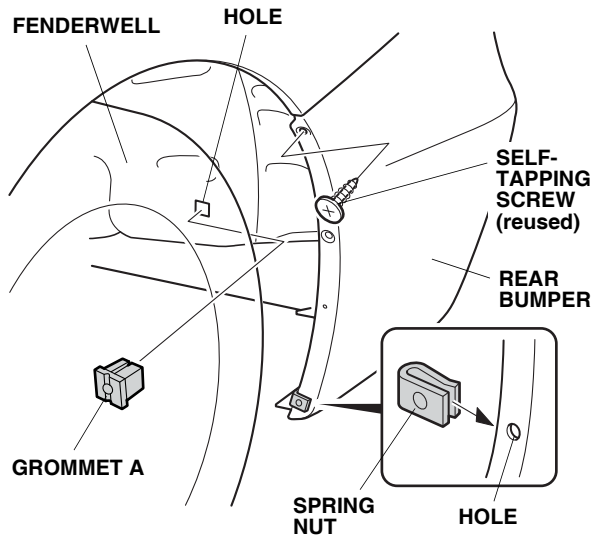
6. Gently pull the rear bumper away from the body, and release the seven retaining tabs.



7. Install one grommet B into the hole in the fenderwell.

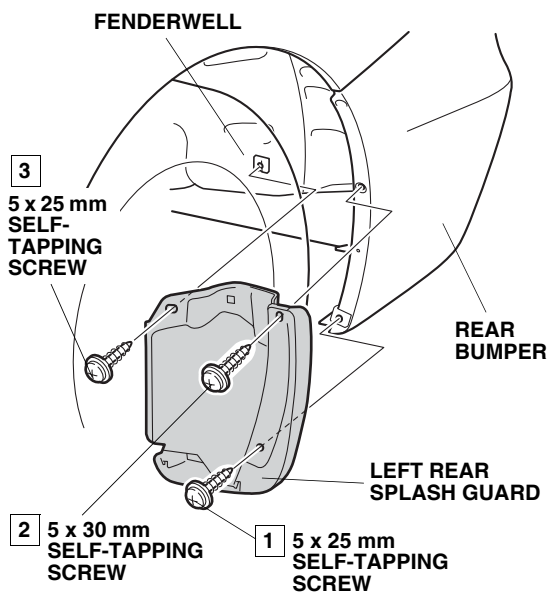


- Reinstall the rear bumper onto the retaining tabs, and reinstall one self-tapping screw. Install one grommet A into the hole in the fenderwell.



- Install one spring nut over the hole in the rear bumper. Make sure to install the spring nut in the correct position and orientation.
- Insert the left rear splash guard into position and secure the splash guard to the body using two 5 x 25 mm self-tapping screws and one 5 x 30 mm self-tapping screw. Tighten the screws in the order shown.

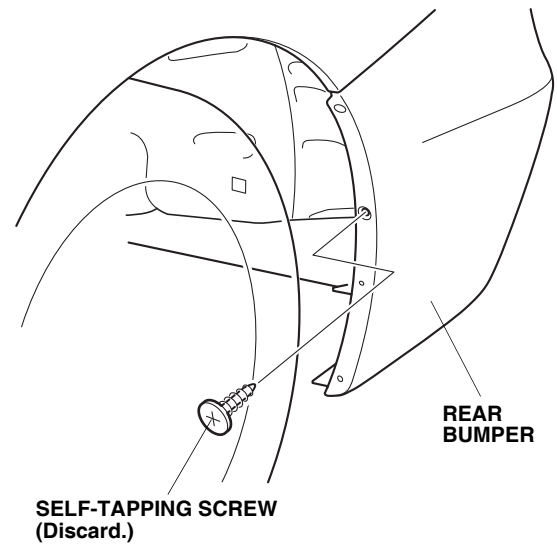
NOTE: Check that there is no gap between the left rear splash guard and the vehicle body. If there is a gap, loosen the three self-tapping screws, hold the splash guard against the body, and retighten the screws.



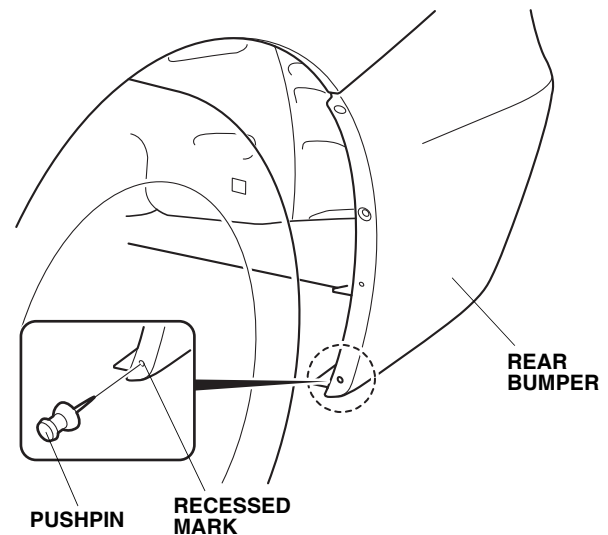
- Repeat steps 5 through 10 to install the right rear splash guard on the right side of the vehicle.

Without an Inner Fender

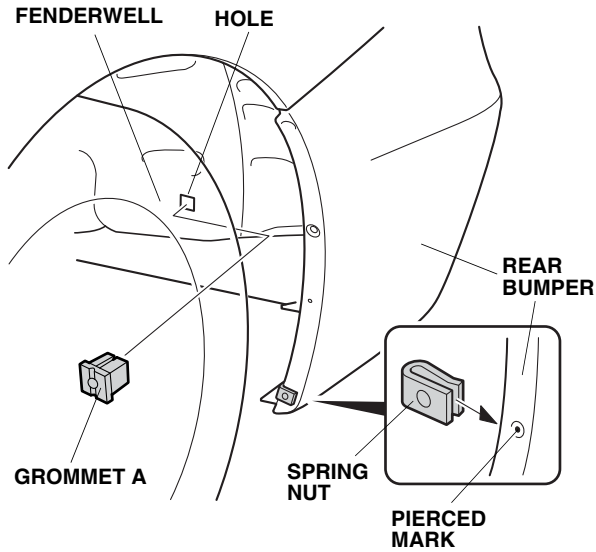
- Remove and discard the self-tapping screw from the rear bumper.



- Locate the recessed mark on the left rear bumper. Using a pushpin, pierce the rear bumper at the recessed mark.

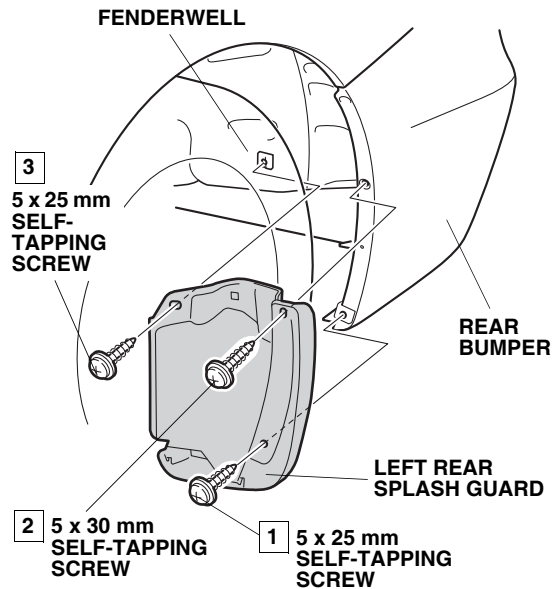


14. Install one grommet A into the hole in the fenderwell.



15. Install one spring nut over the pierced mark in the rear bumper. Make sure to install the spring nut in the correct position and orientation.
16. Insert the left rear splash guard into position and secure the splash guard to the body using two 5 x 25 mm self-tapping screws and one 5 x 30 mm self-tapping screw. Tighten the screws in the order shown.

NOTE: Check that there is no gap between the left rear splash guard and the vehicle body. If there is a gap, loosen the three self-tapping screws, hold the splash guard against the body, and retighten the screws.



17. Repeat steps 12 through 16 to install the right rear splash guard on the right side of the vehicle.