



INSTALLATION INSTRUCTIONS

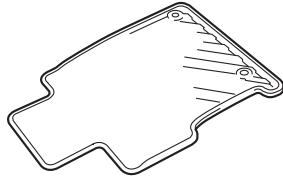
Accessory
ALL-SEASON MATS

Application
2012 CIVIC
2 AND 4-DOOR

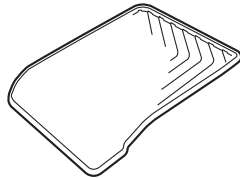
Publications No.
All 45603
Issue Date
APR 2011

PARTS LIST

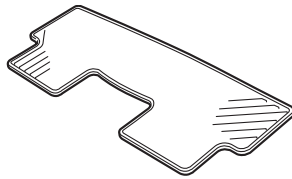
All-Season Mats Kit (4-Door)
Driver's side all-season mat



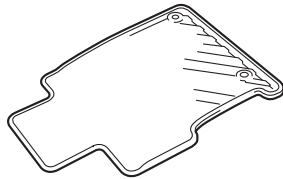
Passenger's side all-season mat



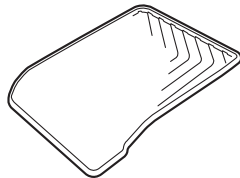
Rear all-season mat



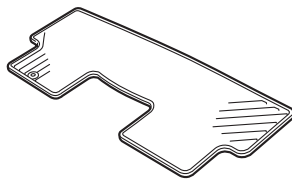
All-Season Mats Kit (2-Door)
Driver's side all-season mat



Passenger's side all-season mat



Rear all-season mat

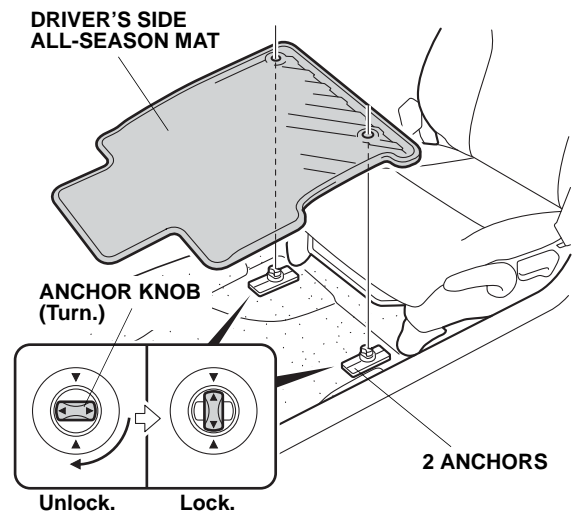


INSTALLATION

NOTE:

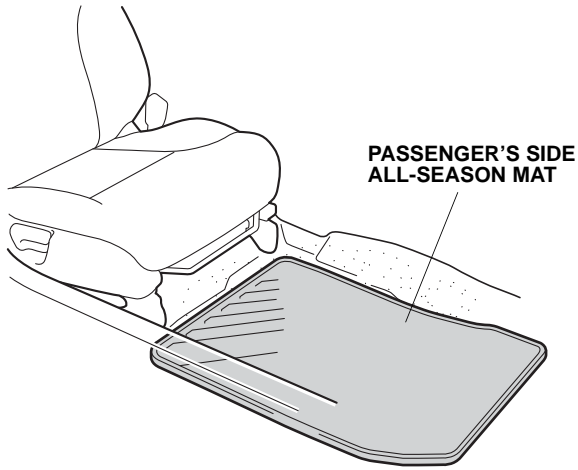
- Anchors are required for the driver's side of the vehicle; the anchors prevent the front all-season mat from sliding forward and possibly interfering with the pedals.
- If you remove the front all-season mat, make sure you reanchor it when you put it back in your vehicle.
- If you replace the all-season mat, use factory mats designed to be used with the anchors.
- Do not put the all-season mat on top of the anchored mat. The additional mat may slide forward and possibly interfere with the pedals.

1. Remove the floor mats, if equipped.



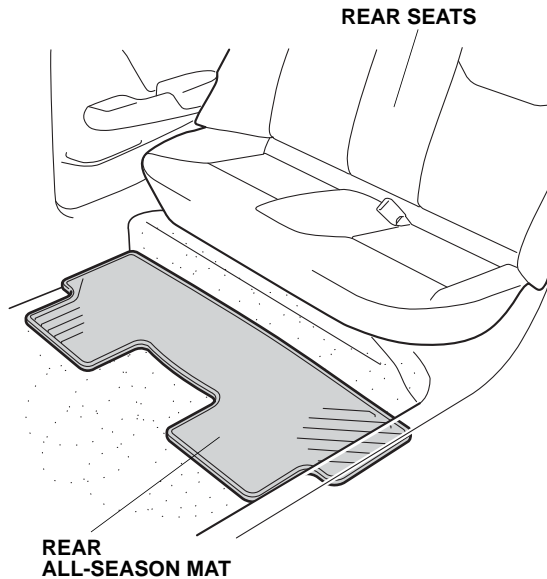
2. Place the driver's side all-season mat over the anchors as shown.
3. Turn the knobs on the two anchors to secure the driver's side all-season mat.

4. Place the passenger's side all-season mat in the passenger's footwell.



4-Door

5. Place the rear all-season mat in front of the rear seats as shown.



2-Door

6. Place the rear all-season mat in front of the rear seats as shown.
7. Turn the knob on the anchor to secure the rear all-season mat.

