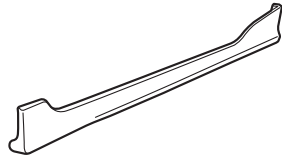
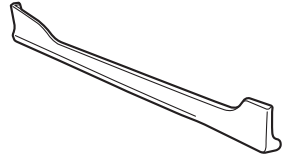


PARTS LIST

Left spoiler



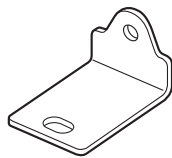
Right spoiler



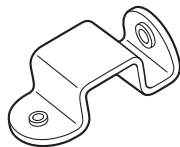
2 Rails



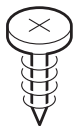
2 Brackets A



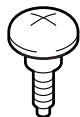
2 Clamps



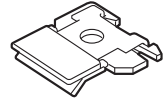
4 Self-tapping screws



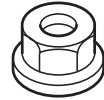
2 Bracket screws



4 Flare nuts



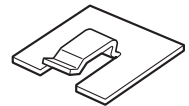
2 Washer-nuts



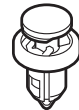
2 Screws



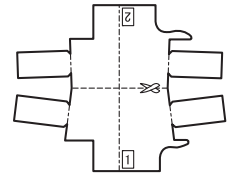
2 Brackets B



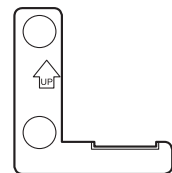
2 Clips



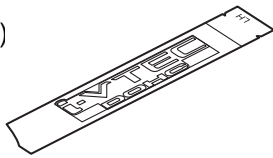
Template A



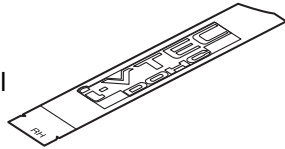
Template B



Left side sticker
(sold separately for Si model)



Right side sticker
(sold separately for Si model)



TOOL AND SUPPLIES REQUIRED

Phillips screwdriver
Isopropyl alcohol
Shop towel
Masking tape
Scissors
Ruler
Tape measure
Soap
Ratchet
10 mm Socket
Torque wrench
10 mm Open end wrench
Felt-tip pen
Utility knife
Touch-up paint
Dryer
Spray bottle
Applicator
3M Protective tape application solution
Rubber Roller (T/N MHLE540)

INSTALLATION

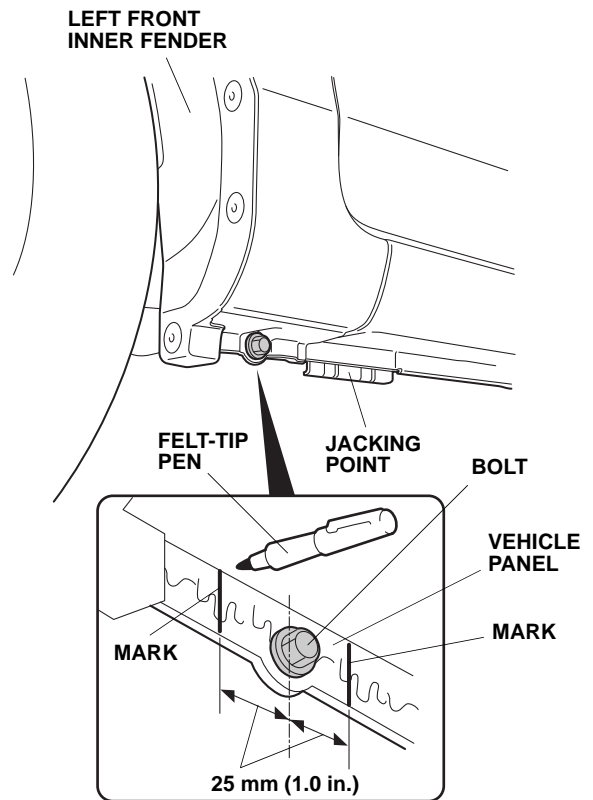
Customer Information: The information in this installation instruction is intended for use only by skilled technicians who have the proper tools, equipment, and training to correctly and safely add equipment to your vehicle. These procedures should not be attempted by “do-it-yourselfers.”

NOTE:

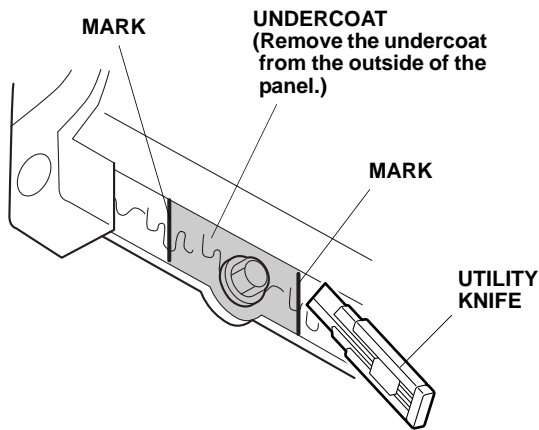
- These instructions show the left spoiler being installed. The same procedure applies to installing the right spoiler.
- Be careful not to damage the paint finish.
- Thoroughly clean the bottom of the body from the rear of the front wheels to the front of the rear wheels.
- This side under spoilers kit should be installed only if the ambient air temperature is 15°C (60°F) or above.
- To allow the adhesive to cure, do not wash the vehicle for 24 hours. Please advise the customer.

Installing the Spoilers

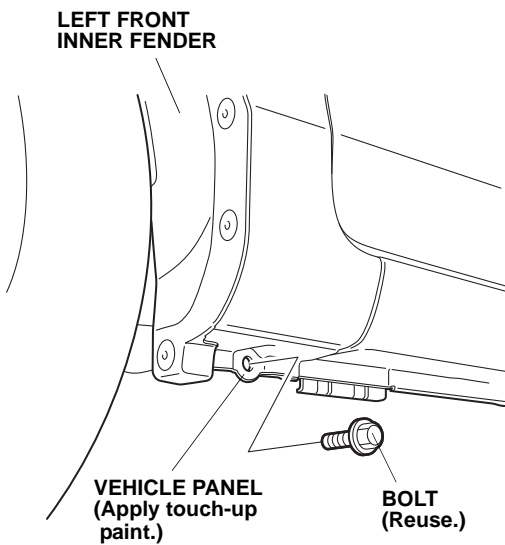
1. Using a felt-tip pen, mark the vehicle panel as shown.



- Using a utility knife, remove the undercoat between the marks.

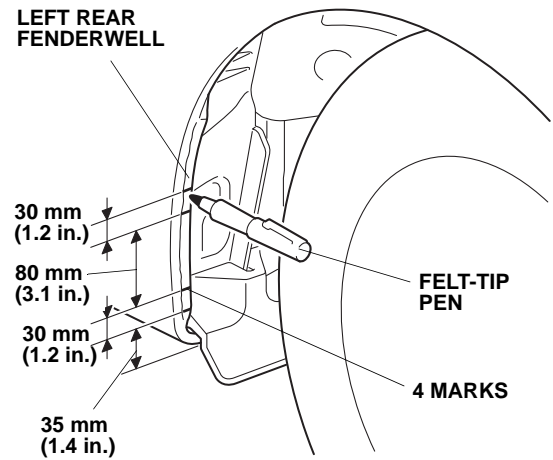


- Remove the bolt from the vehicle panel.

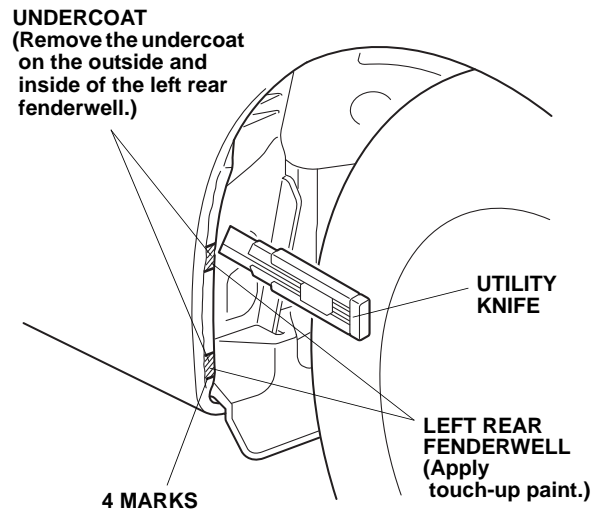


- Apply touch-up paint to the area where the undercoat is removed. Allow it to dry thoroughly.

- Using a felt-tip pen, mark the left rear fenderwell as shown.



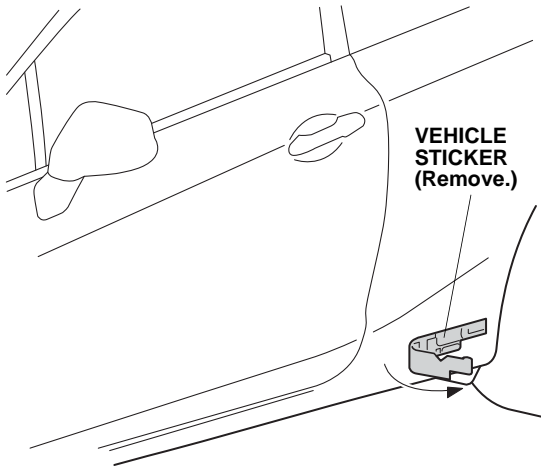
- Using a utility knife, remove the undercoat in the areas shown.



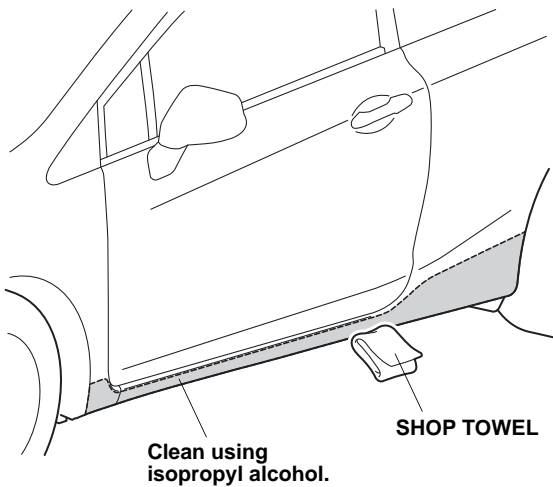
- Apply touch-up paint to the area where the undercoat is removed, and allow it to dry thoroughly.

For Si model, continue to step 8. For other models, go to step 9.

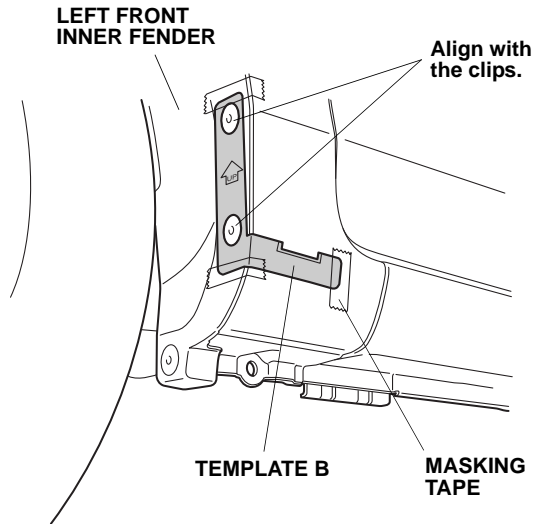
8. Remove the sticker from the vehicle.



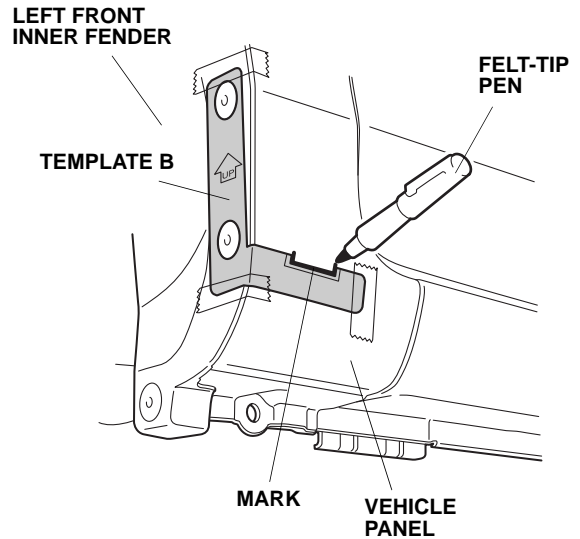
9. Using isopropyl alcohol on a shop towel, thoroughly clean the area where the left side under spoiler will attach.



10. Align template B with the two clips, and attach template B with masking tape.

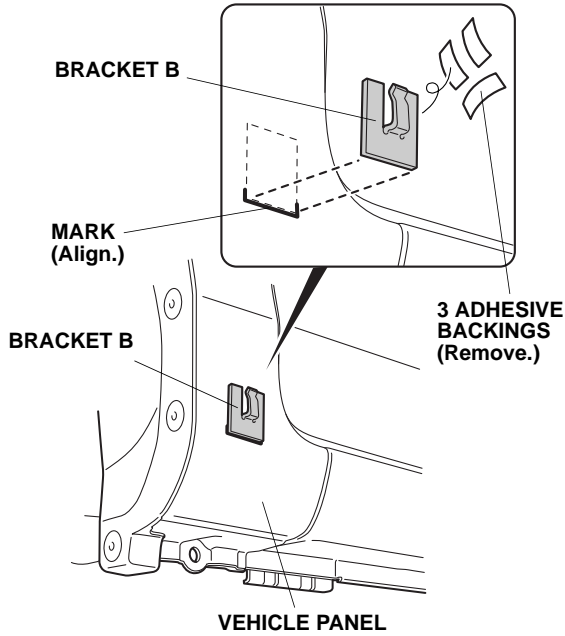


11. Using a felt-tip pen, mark the vehicle panel as shown.



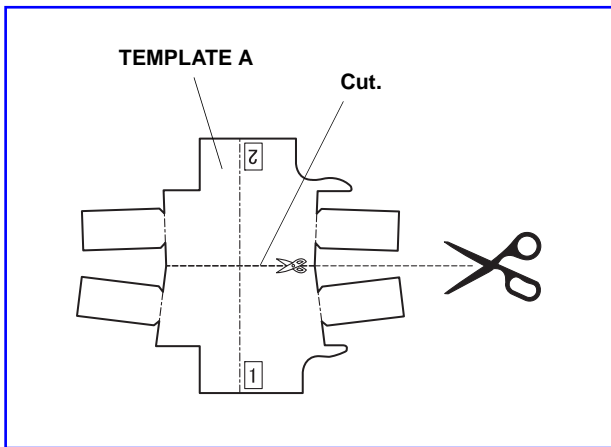
12. Carefully remove template B. Do not damage the template. It is also used for installing the right side spoiler.

13. Remove three adhesive backings from a bracket B.

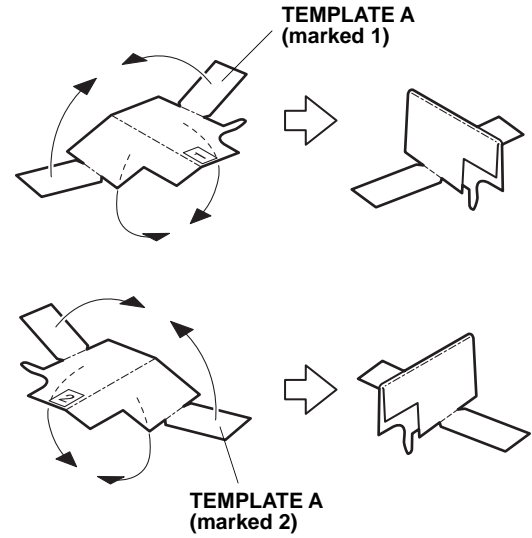


14. Align bracket B with the mark made in step 11, and attach it to the vehicle panel. Press firmly on bracket B firmly.

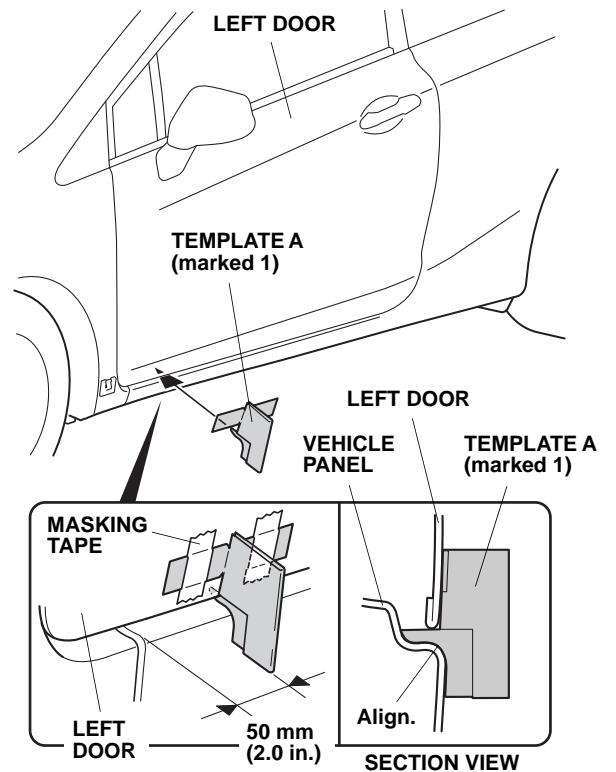
15. Cut template A.



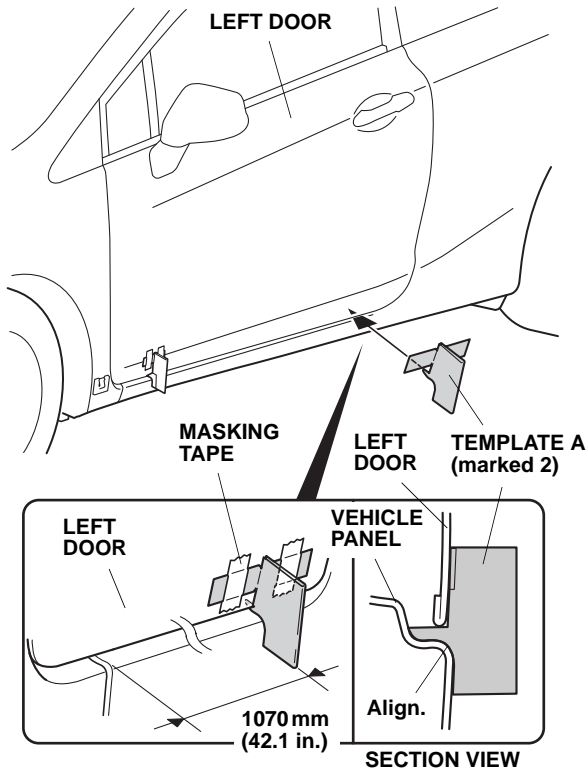
16. Fold template A as shown.



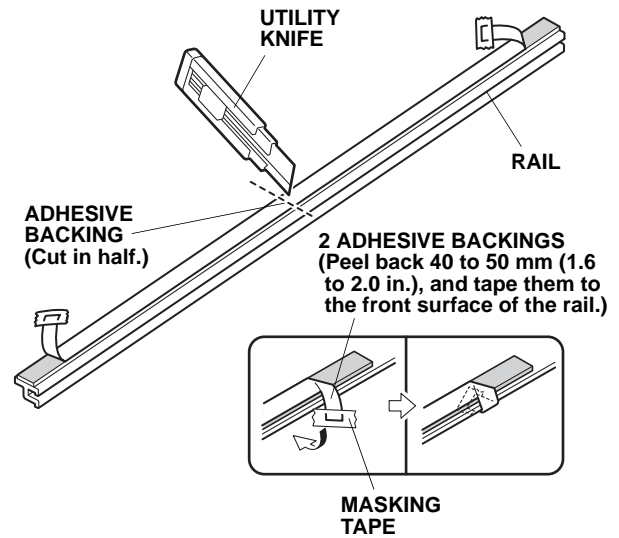
17. Place template A (marked 1) into position as shown. While aligning template A (marked 1) with the vehicle panel by lightly pushing down, attach template A (marked 1) to the left door with masking tape. Make sure there is no gap between the template and the vehicle panel.



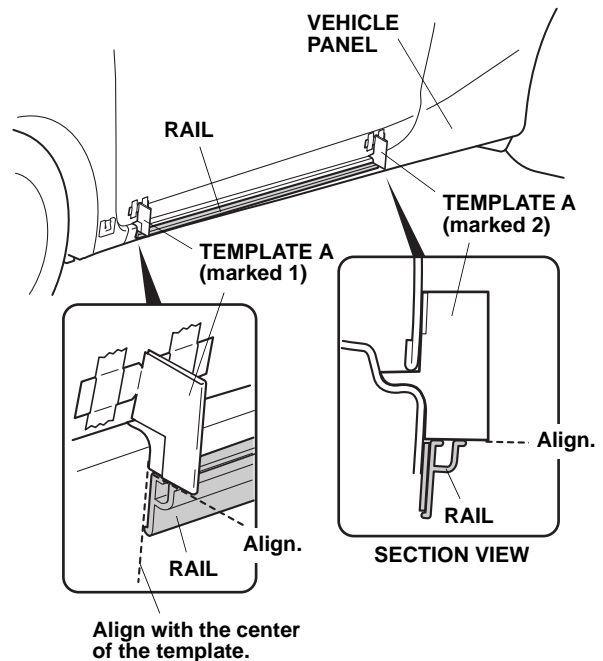
18. Place template A (marked 2) into position as shown. While aligning template A (marked 2) with the vehicle panel by lightly pushing down, attach template A (marked 2) to the left door using strips of masking tape. Make sure there is no gap between the template and the vehicle panel.



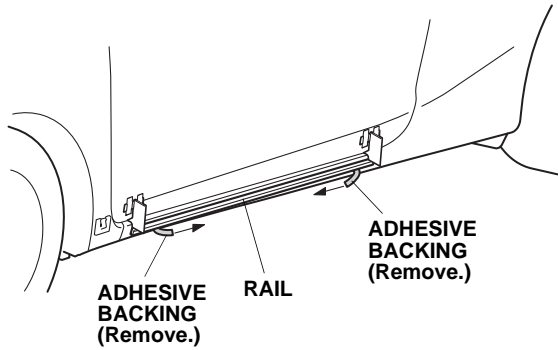
19. Using a utility knife, cut the adhesive backing in the middle of the rail.



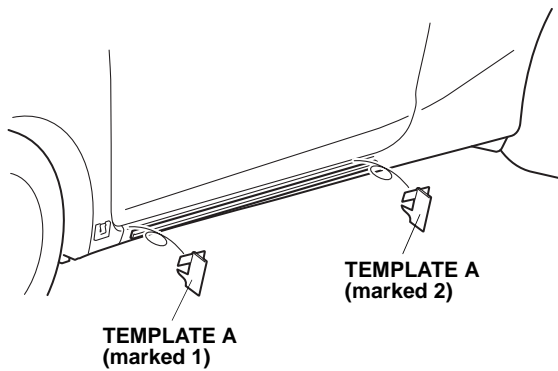
20. Peel back about 40 to 50 mm (1.6 to 2.0 in.) of adhesive backing from each adhesive strip, and tape the ends to the front surface of the rail.
21. While holding the templates against the vehicle panel, align the rail to the templates as shown. Attach the rail to the vehicle panel.



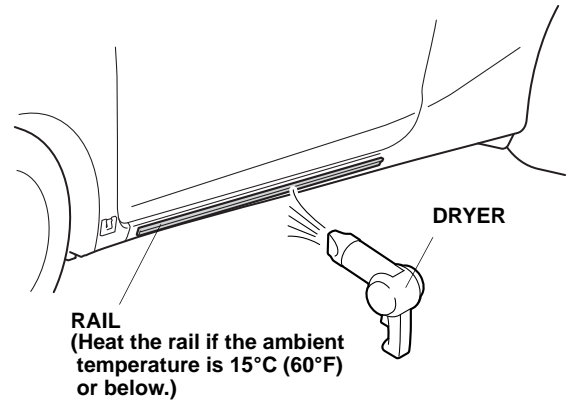
22. While making sure that the rail is aligned with the templates, carefully remove the adhesive backings.



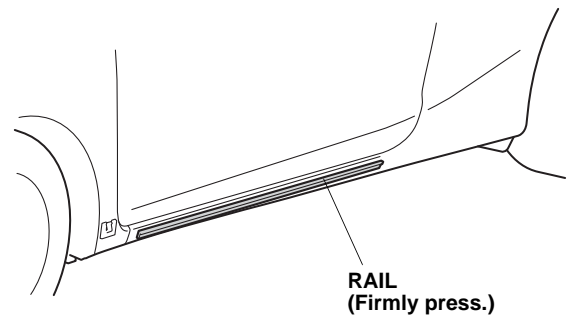
23. Carefully remove both templates A. Do not damage the templates. They are also used to install the right spoiler.



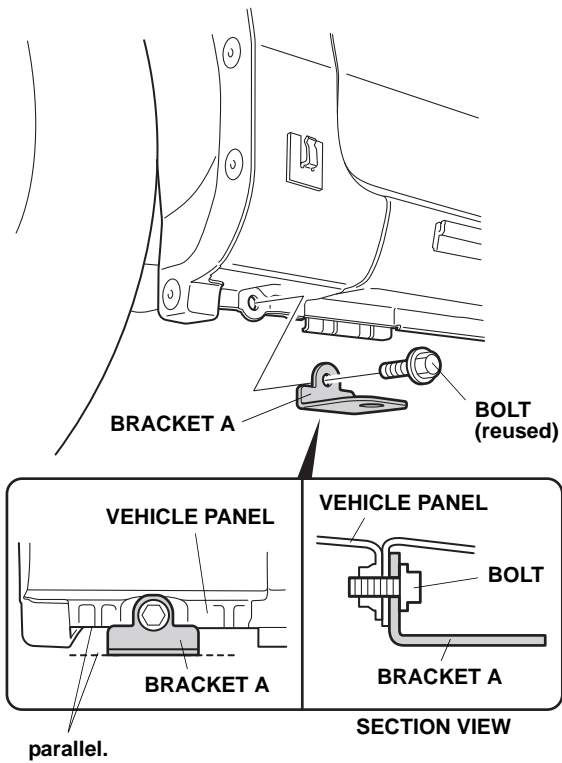
24. If the ambient air temperature is 15°C (60°F) or below, use a dryer to heat the surface of the rail to 15 - 40°C (60 - 104°F). The rail may not properly adhere to the vehicle otherwise.



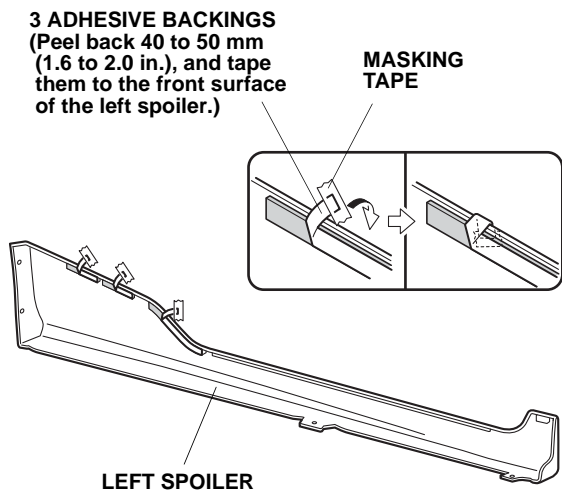
25. Using the palm of your hand, firmly press the rail against the vehicle panel.



26. Secure a bracket A to the vehicle panel with one bolt. Torque the bolt to 10 N·m (1.0 kgf·m, 7.4 lbf·ft).

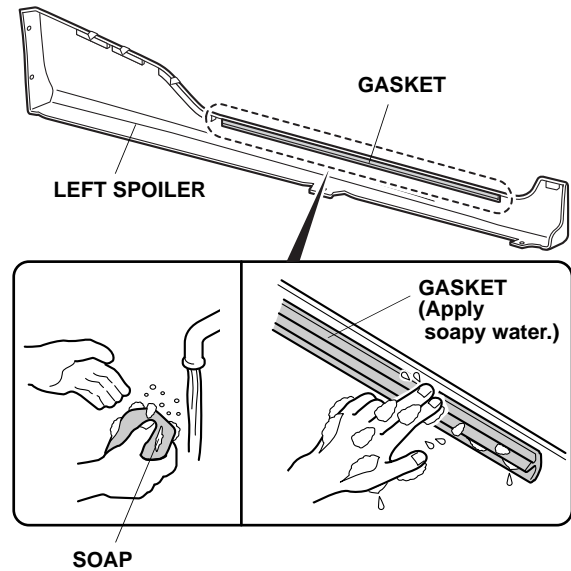


27. Peel back about 40 to 50 mm (1.6 to 2.0 in.) of adhesive backing from each adhesive strip, and tape the ends to the front surface of the left spoiler.

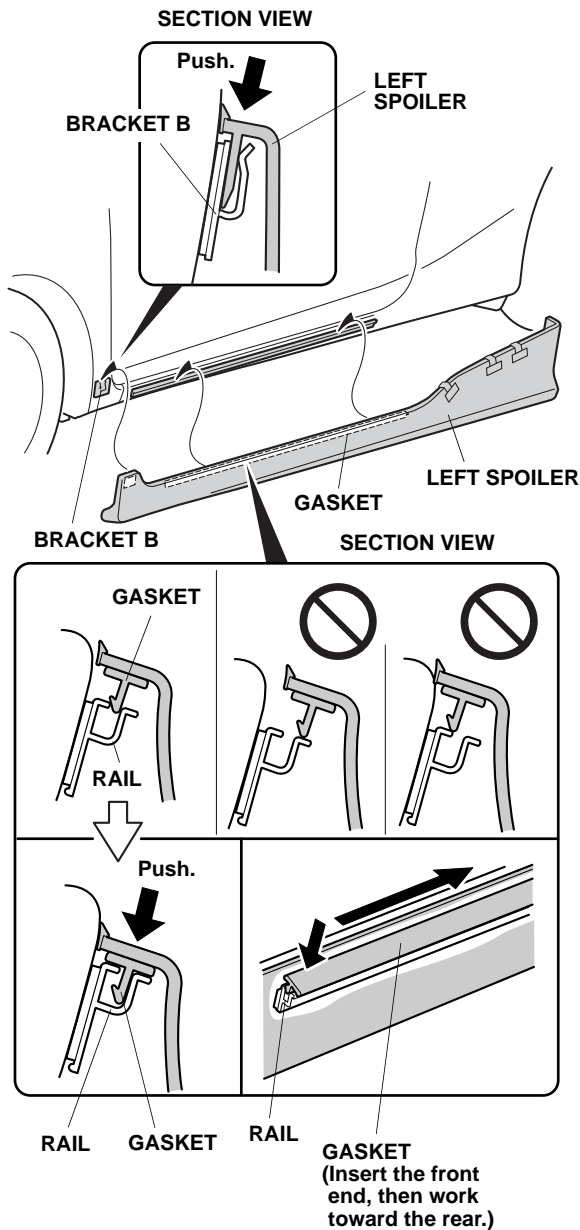


28. Apply soapy water to the gasket on the left spoiler with your hands.

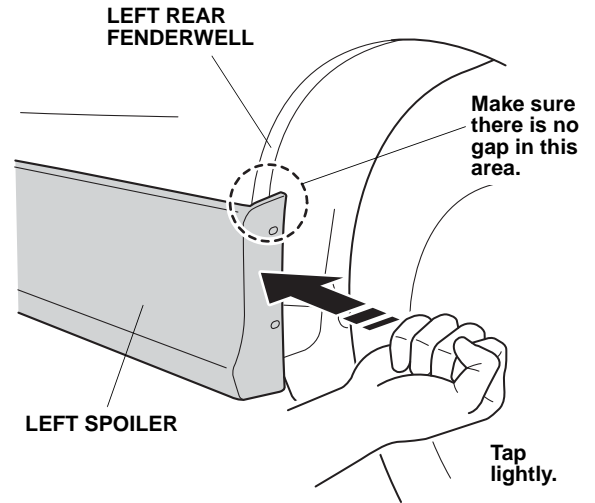
NOTE: Do not use an organic solvent (e.g. thinner, benzene, gasoline, etc.), acid, or alkaline solution.



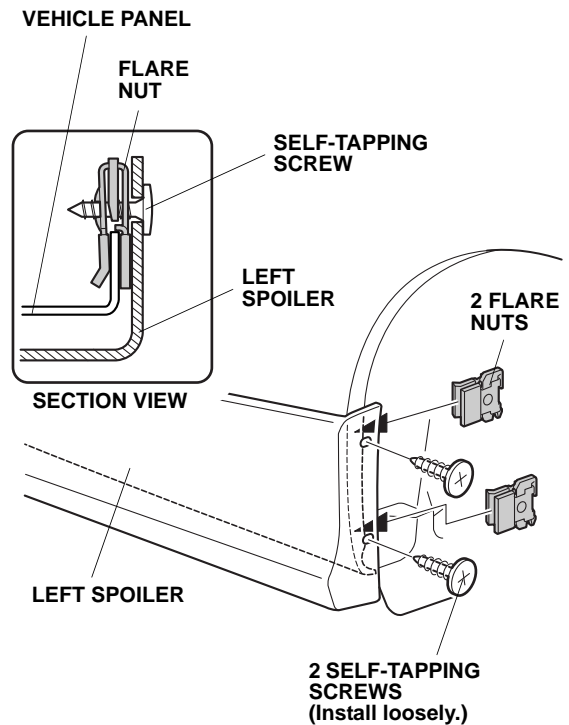
29. Align the gasket on the left spoiler to the rail. Insert the front end of the gasket to the rail first, then work toward the rear. Move the left spoiler gently up and down, and confirm that the gasket is installed securely to the rail.



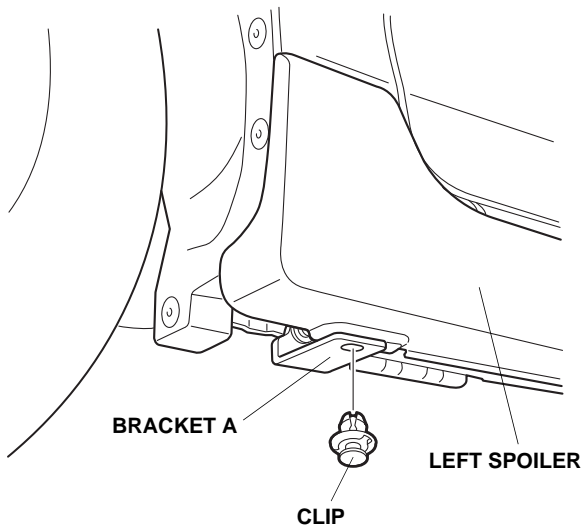
30. Lightly tap the left spoiler to make sure that there is no gap between the left spoiler and the left rear fenderwell.



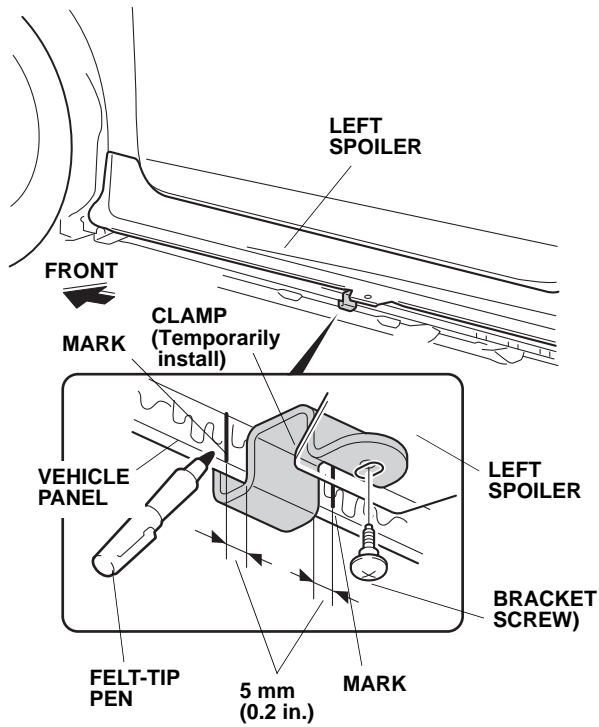
31. Loosely install two flare nuts and two self-tapping screws. Make sure the flare nuts are installed correctly.



32. Secure the left spoiler to bracket A with one clip.



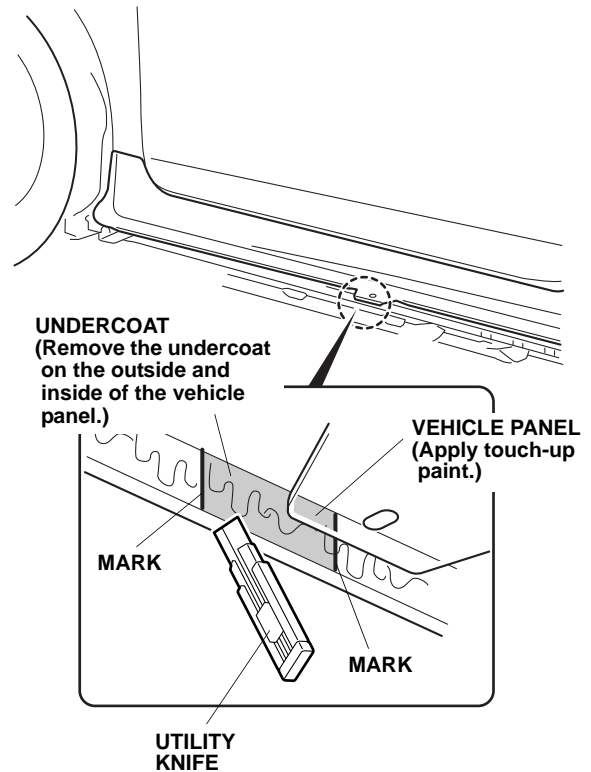
33. Temporarily install one clamp and one bracket screw.



34. Using a felt-tip pen, mark the vehicle panel as shown.

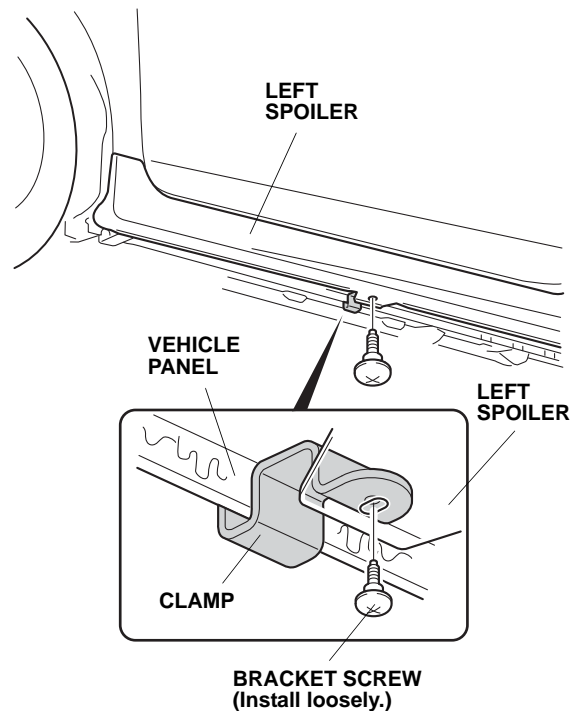
35. Remove the clamp and bracket screw.

36. Using a utility knife, remove the undercoat in the area shown.

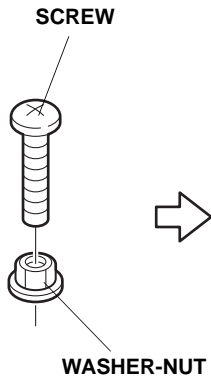


37. Apply touch-up paint to the area where the undercoat is removed, and allow it to dry thoroughly.

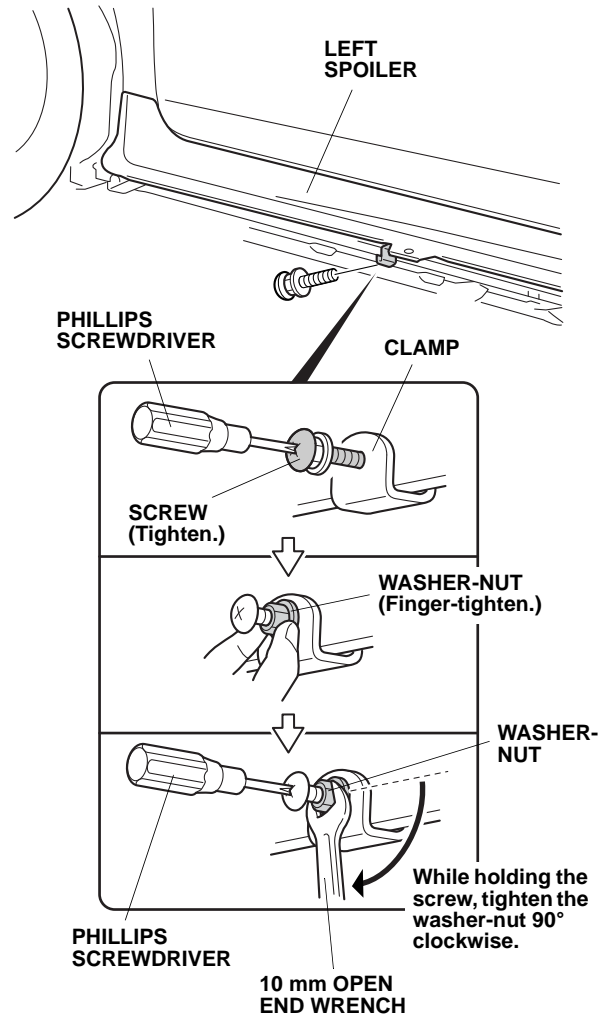
38. Loosely reinstall the clamp and bracket screw.



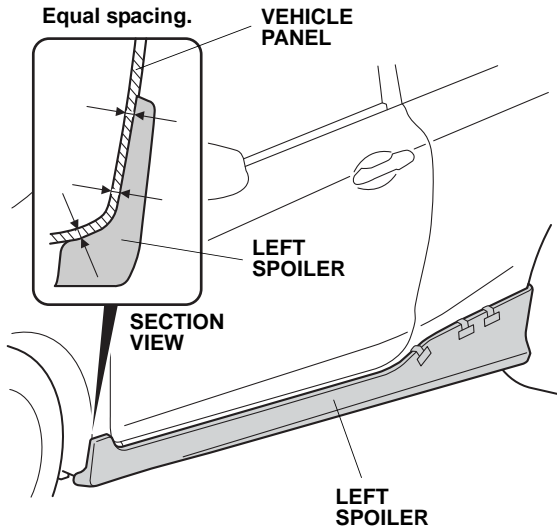
39. Assemble one screw and one washer-nut.



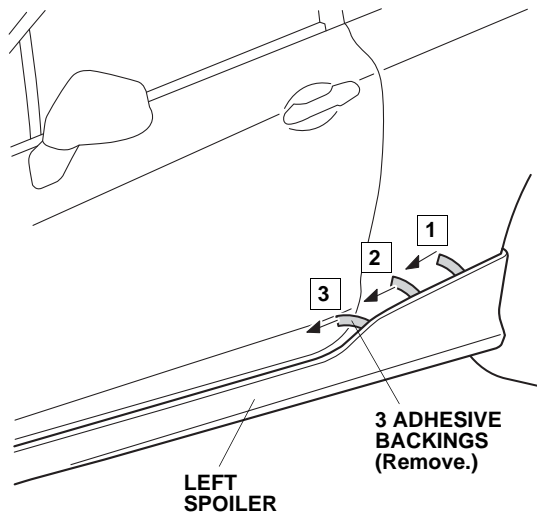
40. Using a Phillips screwdriver, securely tighten the screw into the clamp. Finger-tighten the washer-nut against the clamp. While holding the screw, tighten the washer-nut 90° clockwise with a 10 mm open end wrench.



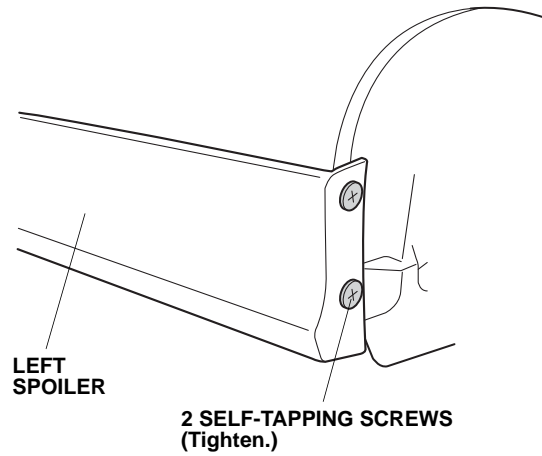
41. Adjust the gap in the area shown.



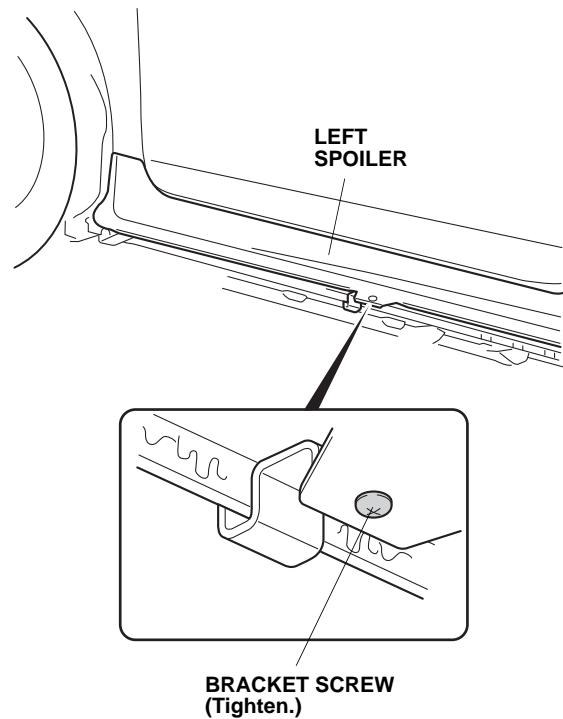
42. Remove the three adhesive backings in the order shown. Press the spoiler firmly against the vehicle panel with the palm of your hands to allow the adhesive to set.



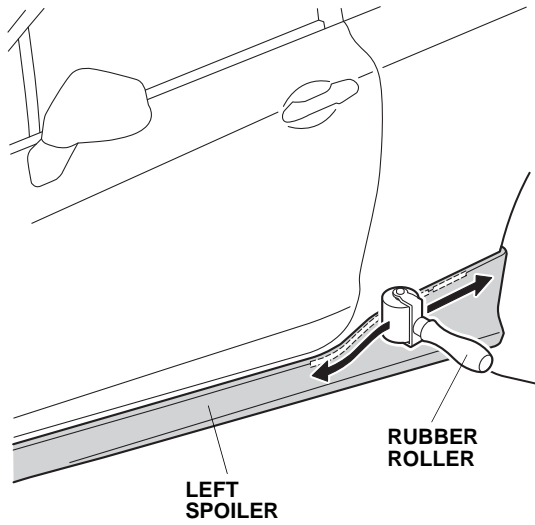
43. Tighten two self-tapping screws.



44. Tighten the bracket screw.



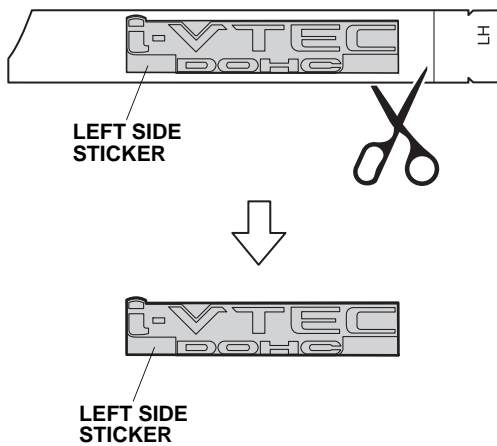
45. Using a rubber roller, apply firm pressure, especially at the ends, to set the adhesive.



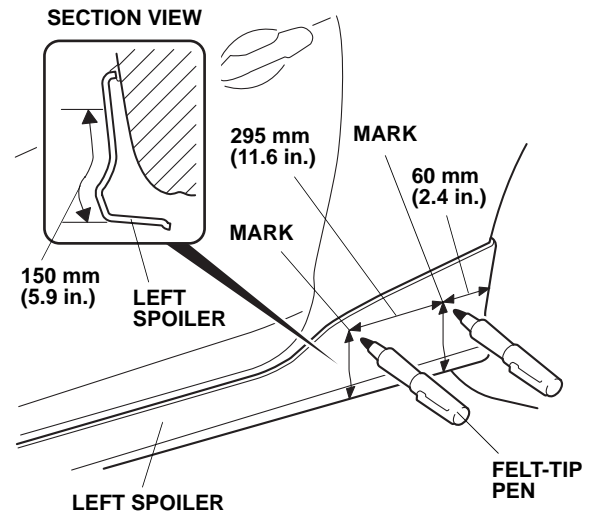
46. Repeat steps 1 through 45 on the right side of the vehicle.

Attaching the Side Stickers

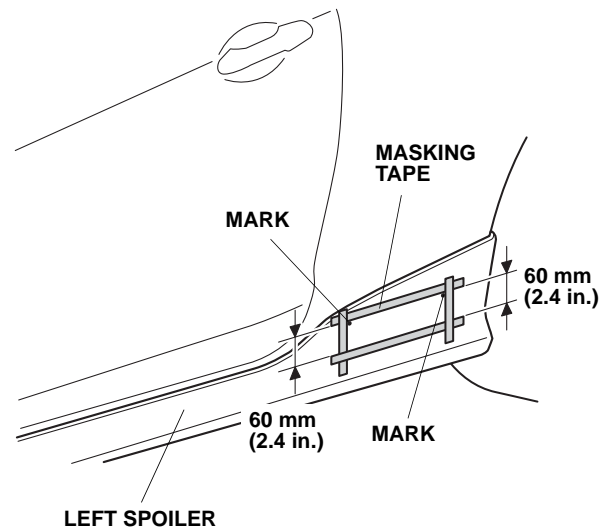
47. Trim the left side sticker.



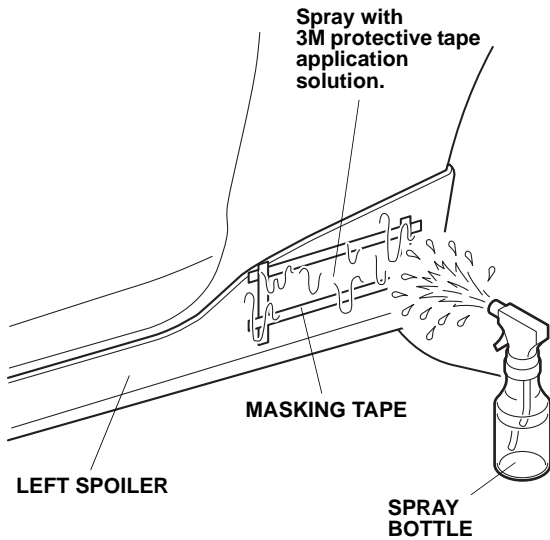
48. Using a ruler and felt-tip pen, measure and mark the left spoiler as shown.



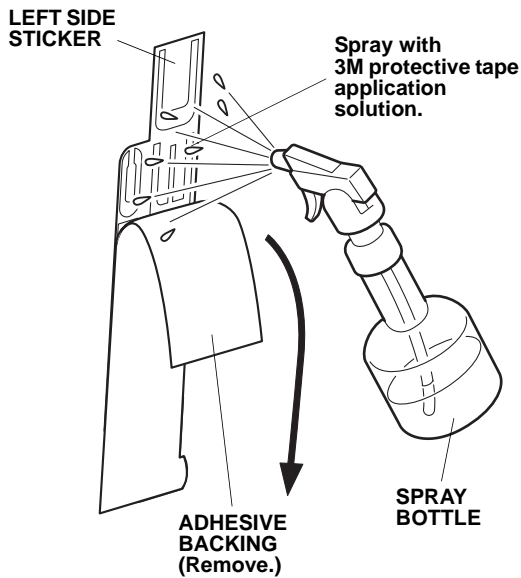
49. Attach masking tape to the left spoiler at the marks you made.



- 50. Using isopropyl alcohol on a shop towel, thoroughly clean the area where the left side sticker will attach.
- 51. Using a spray bottle with 3M protective tape application solution, spray the spoiler where the left side sticker will attach.

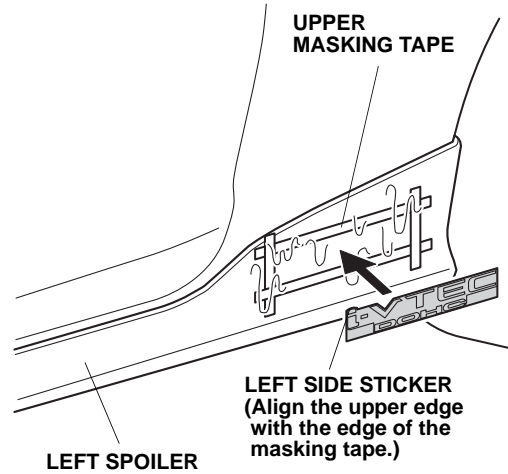


- 52. Remove the adhesive backing from the back side of the left side sticker.

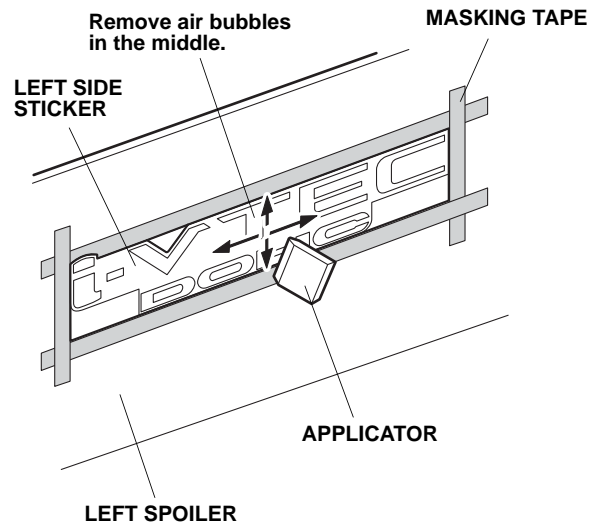


- 53. Spray the left side sticker with 3M protective tape application solution.

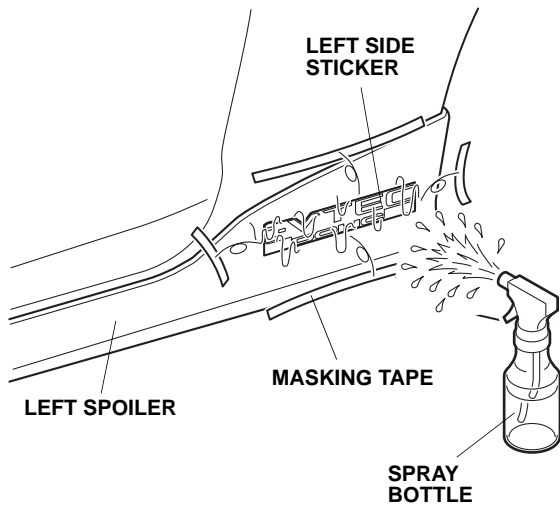
- 54. Align the upper edge of the left side sticker with the edge of the masking tape, and attach the sticker to the left spoiler.



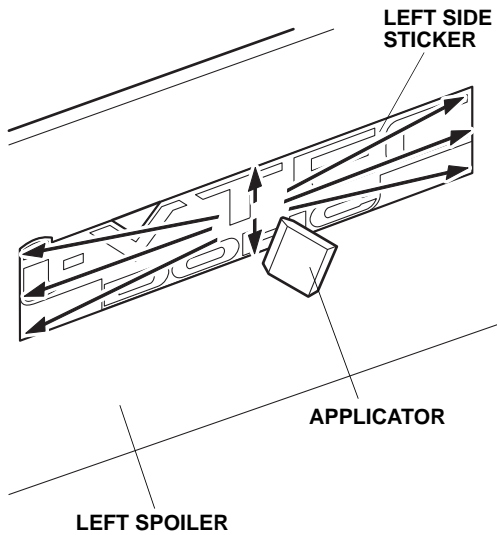
- 55. While holding the left side sticker to keep it from moving, use an applicator to remove any air bubbles under the left side sticker. Move the applicator in one direction only.



56. Spray the left side sticker again with 3M protective tape application solution. Remove the masking tape.

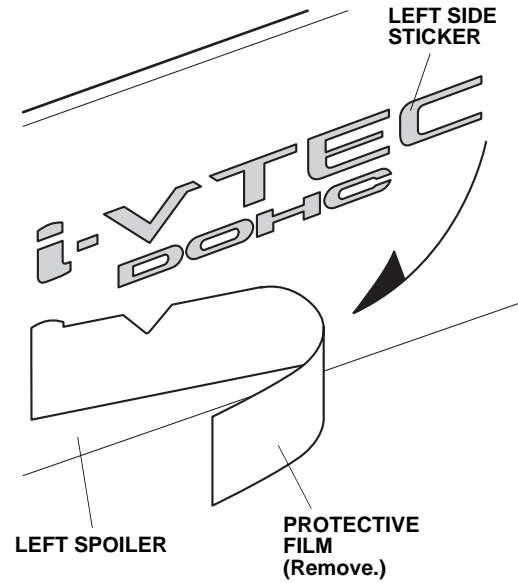


57. Use the applicator to remove any remaining air bubbles. Take care not to move the left side sticker out of the proper position. Move the applicator in one direction only.



58. Use a shop towel to wipe the excess 3M protective tape application solution from the left side sticker. Allow the left side sticker to dry thoroughly.

59. Slowly remove the protective film at an angle.



60. Repeat steps 47 through 59 on the right side of the vehicle.