

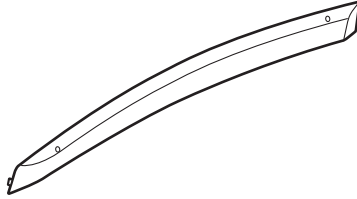


## INSTALLATION INSTRUCTIONS

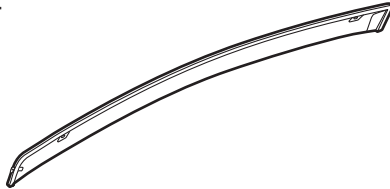
Accessory <b>DOOR VISORS</b>	Application <b>2009 CIVIC 4-DOOR</b>	Publications No. <b>All 40128-40658</b>
		Issue Date <b>OCT 2008</b>

### PARTS LIST

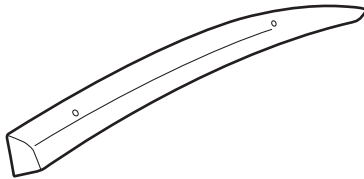
Left front door visor



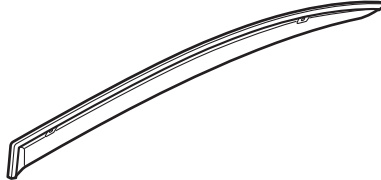
Right front door visor



Left rear door visor



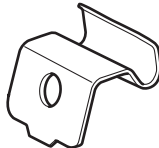
Right rear door visor



2 Brackets (B)



4 Brackets (C)



2 Brackets (D)



8 Clips



### TOOLS AND SUPPLIES REQUIRED

- Isopropyl alcohol
- Shop towel
- Masking tape
- 6 in. Scale

### INSTALLATION

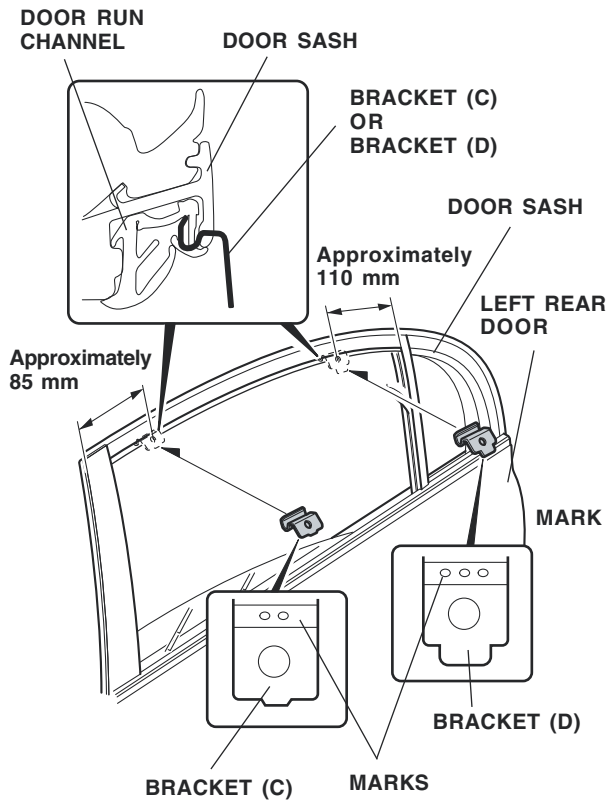
**Customer Information:** The information in this installation instruction is intended for use only by skilled technicians who have the proper tools, equipment, and training to correctly and safely add equipment to your vehicle. These procedures should not be attempted by "do-it-yourselfers."

#### NOTE:

- Visors may not be legal in all states. Please check the laws of your state.
- Be careful not to damage the paint finish and glass run channels when installing the door visors.
- Handle the door visors with care. They are not designed to absorb shock or impact.
- This door visor kit should only be installed if the ambient air temperature is 60°F (15°C) or above.
- To allow the adhesive to cure, do not wash the vehicle for 24 hours.

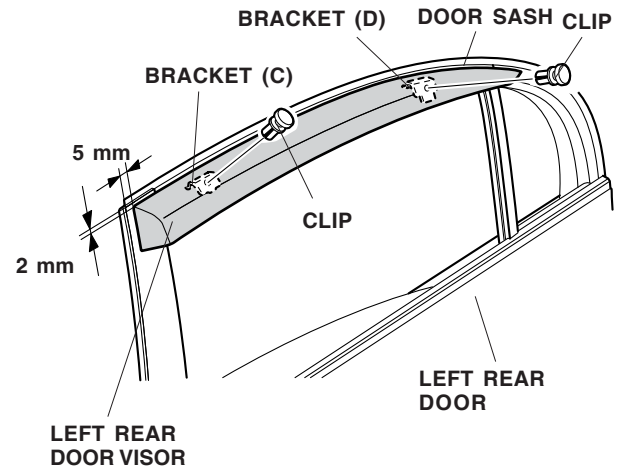
## Installing the Rear Door Visor

1. Fully open the left rear door window.

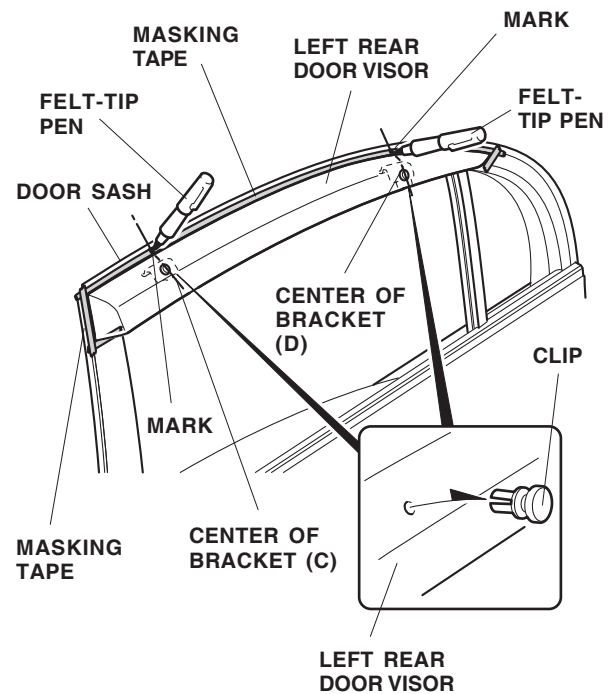


2. Install one bracket (C) and one bracket (D) on the door sash at the measurements shown. Verify the shape and the identification mark stamped on each bracket. Be sure to use the correct bracket at the proper location.

3. Position the left rear door visor on the door sash.

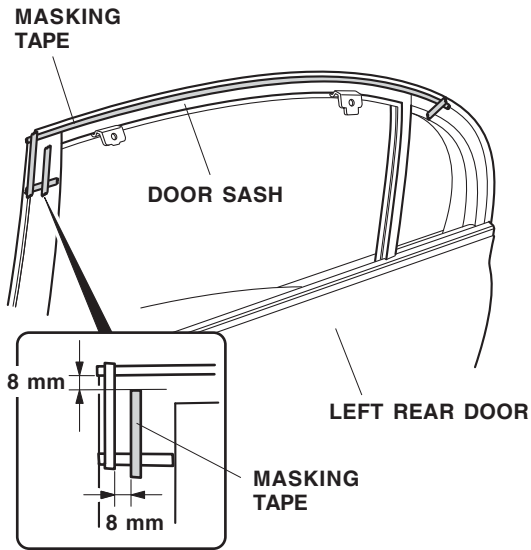


4. Align the front of the left rear door visor at the measurements shown, and temporarily attach the front door visor to each bracket with one clip.
5. Fully open and close the door window several times and check that the visor does not interfere with the brackets.
6. Attach pieces of masking tape to the door sash in the areas shown.

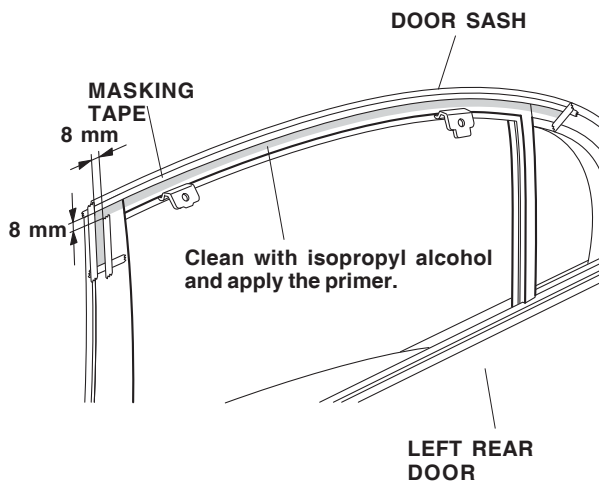


7. Using a felt-tip pen, mark the masking tape at the center of each bracket.
8. Remove the left rear door visor (two clips).

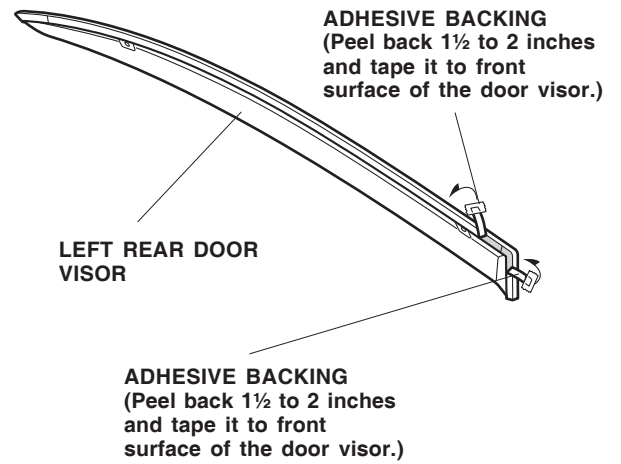
9. Attach an additional piece of masking tape to the door sash in the area shown.



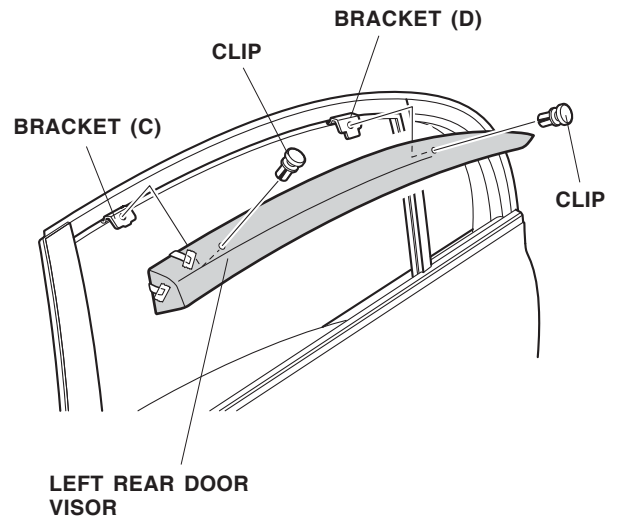
10. Using isopropyl alcohol on a clean shop towel, clean the area where the visor will attach.



11. Peel back 1½ to 2 inches of adhesive backing from each adhesive tape, and tape the ends to the front surface of the door visor.

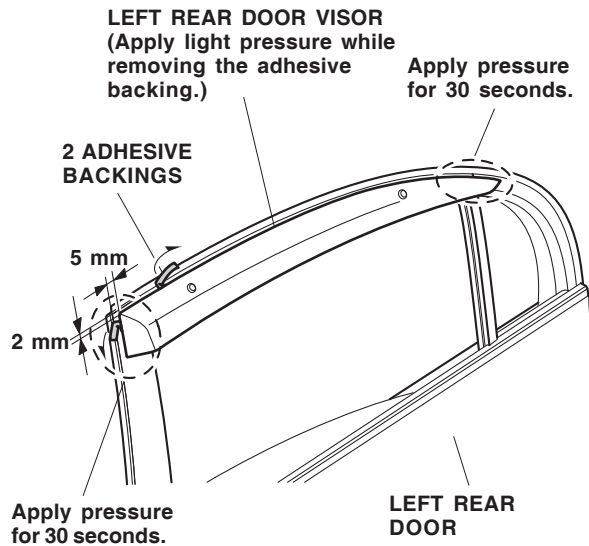


12. Align the hole in the visor with the mark you made on the masking tape, and install the clips.



13. Remove all the masking tape from the door sash.

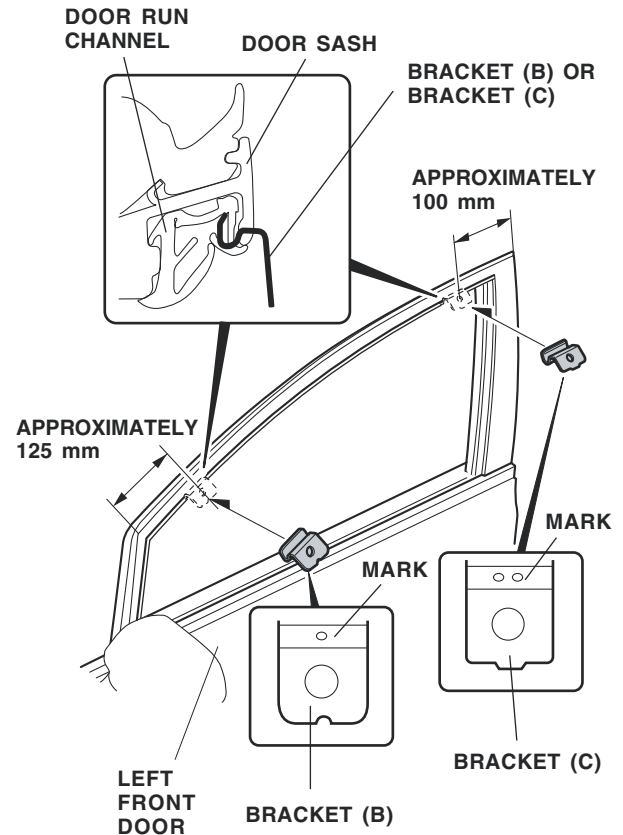
14. Position the door visor as shown, then carefully remove the adhesive backings. Apply light pressure against the door visor while removing the adhesive backings.



15. Press and hold the door visor in place with the palm of your hand for 30 seconds.
16. Repeat steps 1 through 15 to install the right rear door visor.

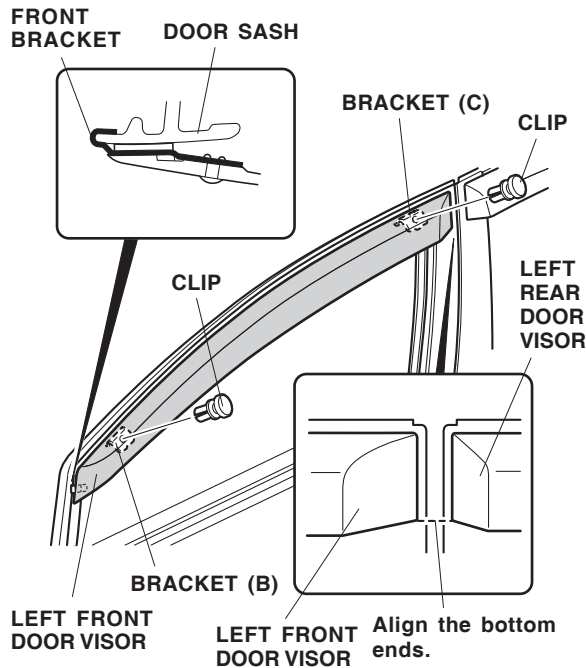
## Installing the Front Door Visor

17. Fully open the driver's door front window.



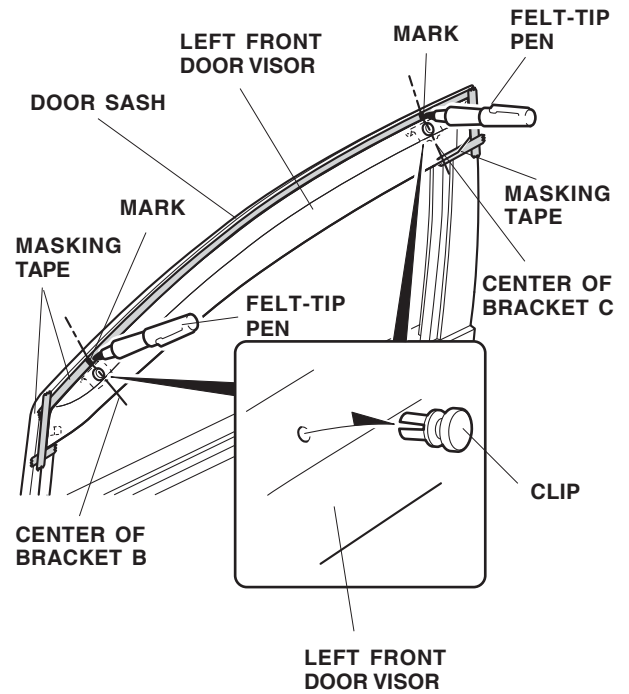
18. Install one bracket (B) and one bracket (C) on the door sash at the measurements shown. Verify the shape and the identification mark stamped on each bracket. Be sure to use the correct bracket at the proper location.

- Hook the front bracket from the left front door visor on the door sash, and install it so that there is no space between the bracket and the door sash.

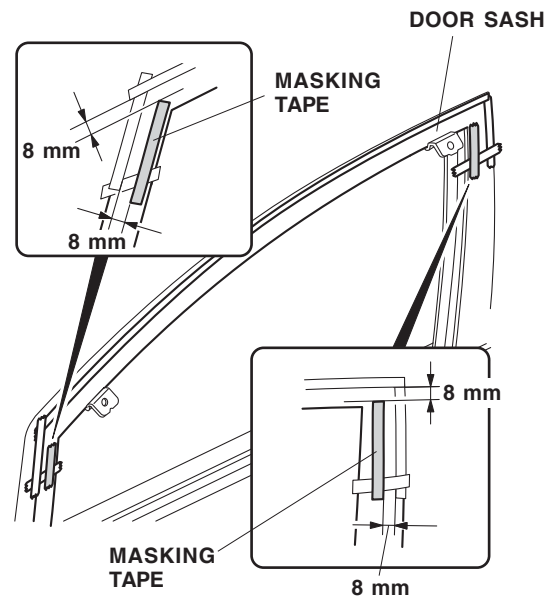


- Align the rear edge of the front door visor with the front edge of the rear door visor, and temporarily attach the front door visor to each bracket with one clip.
- Fully open and close the window several times and check that the visor does not interfere with the brackets.

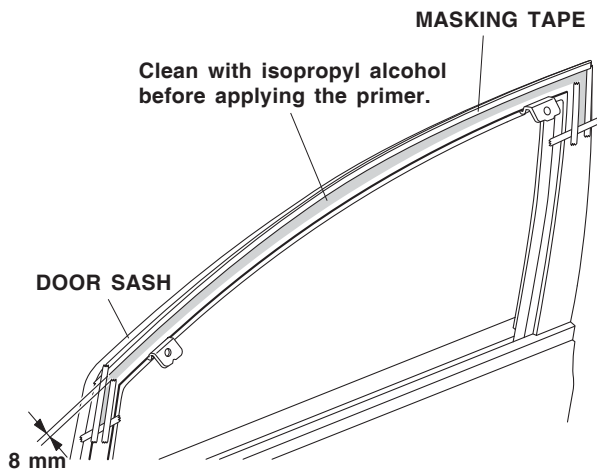
- Attach pieces of masking tape to the door sash in the areas shown.



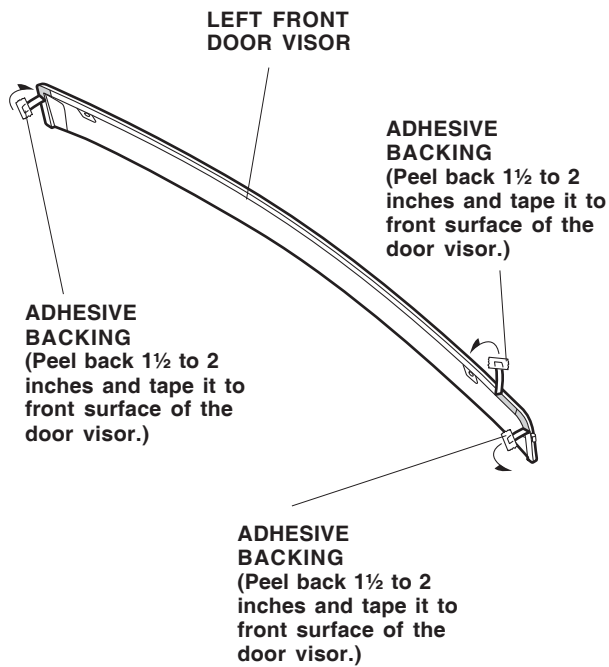
- Using a felt-tip pen, mark the masking tape at the center of each brackets.
- Remove the left front door visor (two clips).
- Attach an additional piece of masking tape to the door sash in the area shown.



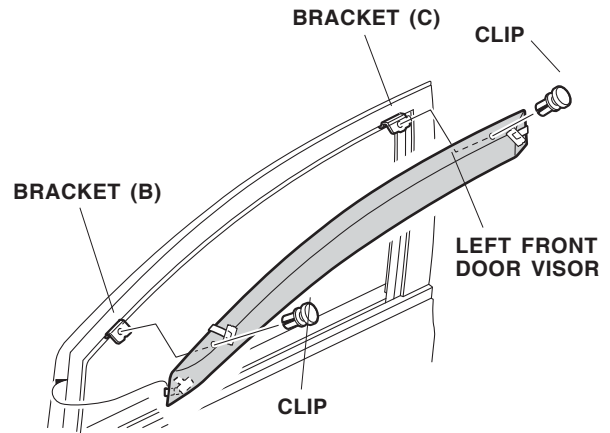
26. Using isopropyl alcohol on a clean shop towel, clean the area where the visor will attach.



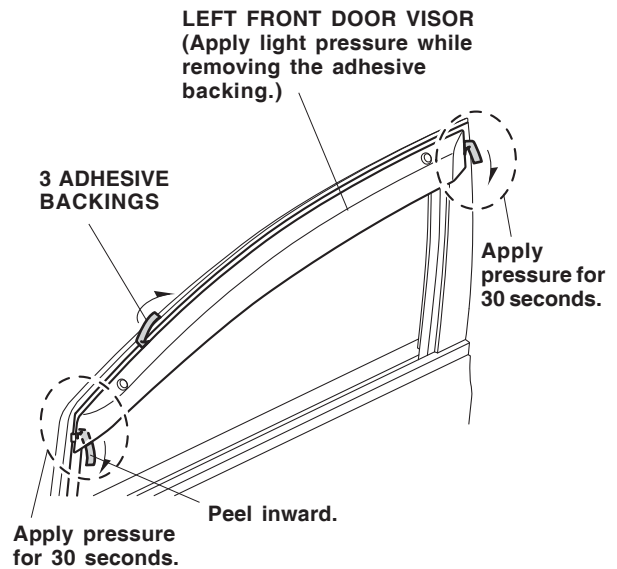
27. Peel back 1½ to 2 inches of adhesive backing from each adhesive tape, and tape the ends to the front surface of the door visor.



28. Hook the front bracket, align the holes in the visor with the marks you made on the masking tape, and install the clips.



29. Remove all the masking tape from the door sash.
30. Position the door visor as shown, then carefully remove the the adhesive backing. Apply light pressure against the door visor while removing the adhesive backings.



31. Press and hold the door visor in place with the palm of your hand for 30 seconds.
32. Repeat steps 17 thru 31 to install the right front door visor.

### USE AND CARE

Clean the door visors with mild detergent and water. Do not use organic solvents (thinner, benzene, alcohol, etc.) or cleaners containing any abrasive material.