



# INSTALLATION INSTRUCTIONS

Accessory  
**ROOF BASKET**  
P/N 08L20-E09-100C

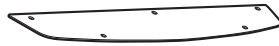
Application  
**ALL APPLICABLE MODELS**

Publications No.  
**VERSION 1**  
Issue Date  
**MAR 2018**

**Put this information in the glove box for future reference.**

## PARTS LIST

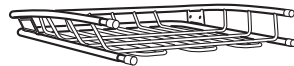
Basket fairing



Front basket



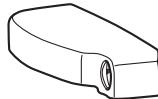
Rear basket



4 Mounting plates



4 Bracket covers



4 Mounting brackets



4 Lock plugs



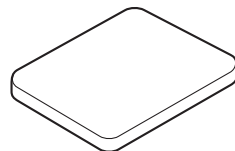
20 Washers, 12 mm



8 Bracket thumbwheels



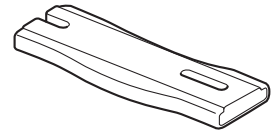
4 Foam pads



8 Carriage bolts A



4 Brackets



8 Bolts, 6 x 27 mm



5 Fairing thumbwheels



5 Fairing clamps



5 Washers, 20 mm



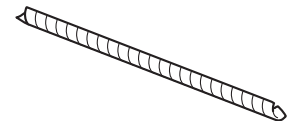
5 Carriage bolts B



4 Bolts, 6 x 12 mm



Spiral Sleeve



## TOOLS AND SUPPLIES REQUIRED

Hex wrench

Ratchet

Socket

Scissors

Isopropyl alcohol

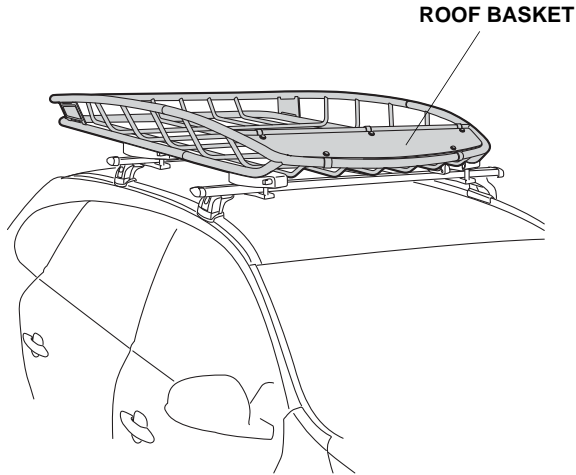
Shop towel

Torque wrench

Tape measure

Ruler

## Illustration of the Roof Basket on the Vehicle



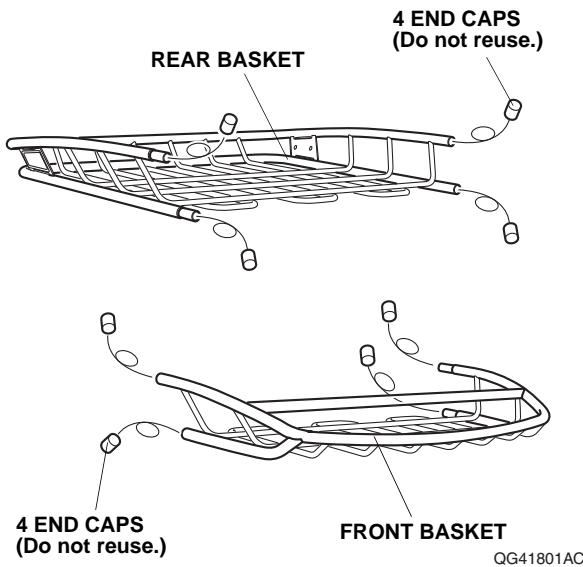
QG41701BC

## INSTALLATION

NOTE: Do not damage the roof and other finished surfaces of the body when installing the roof basket.

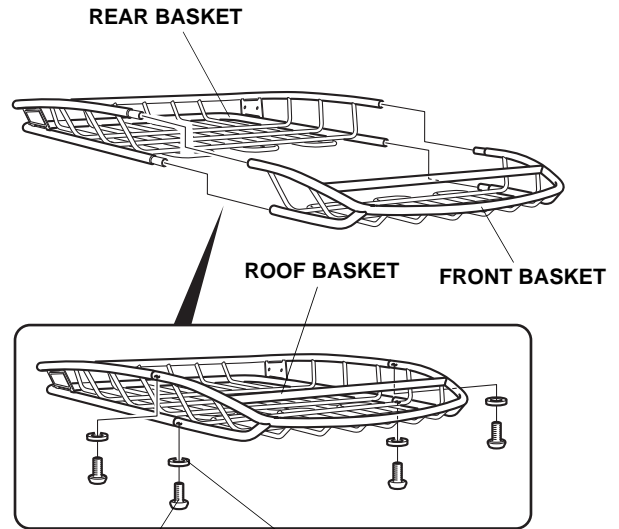
### Installing the Roof Basket

1. Remove the end caps from the front and rear baskets.



QG41801AC

2. Attach the front and rear baskets to each other with 6 x 12 mm bolts and 12 mm washers. Torque the bolts to 2.2 lb-ft (3 N·m).



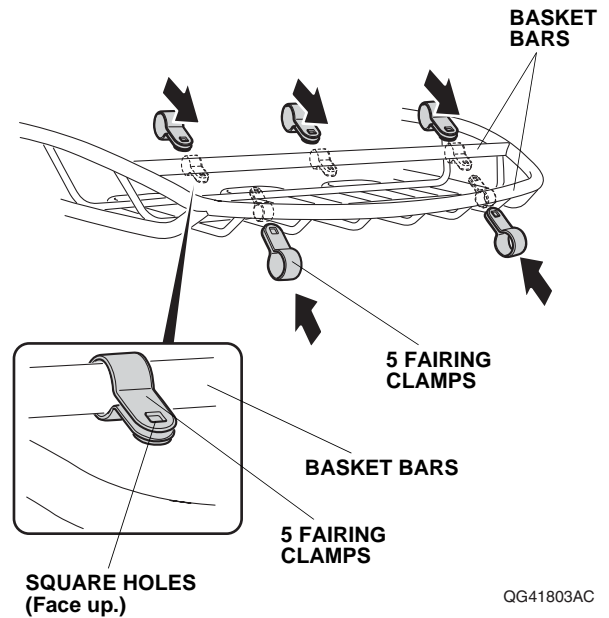
4 BOLTS, 6 x 12 mm  
2.2 lb-ft (3 N·m)

4 WASHERS,  
12 mm

QG41802AC

3. Put the fairing clamps around the front basket bars as shown.

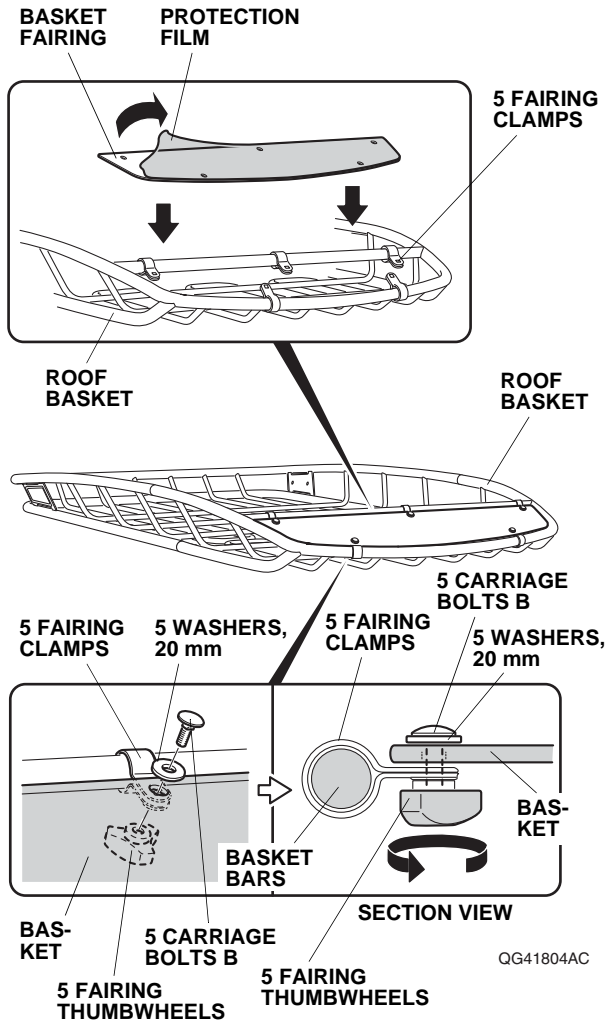
NOTE: Make sure the square holes face up.



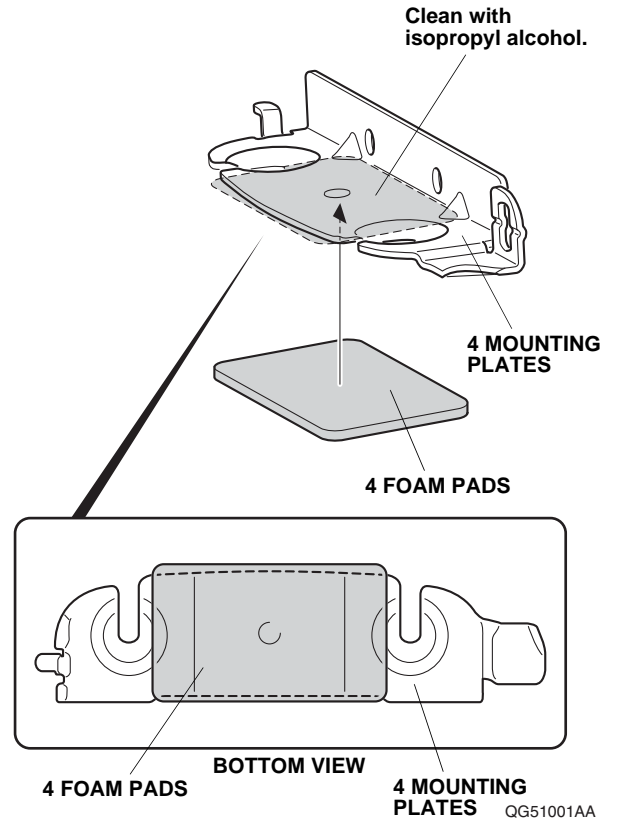
SQUARE HOLES  
(Face up.)

QG41803AC

- Remove the protection film from the basket fairing, and place it on top of the fairing clamps. Then, secure the basket fairing to the fairing clamps with carriage bolts B, 20 mm washers, and the fairing thumbwheels.

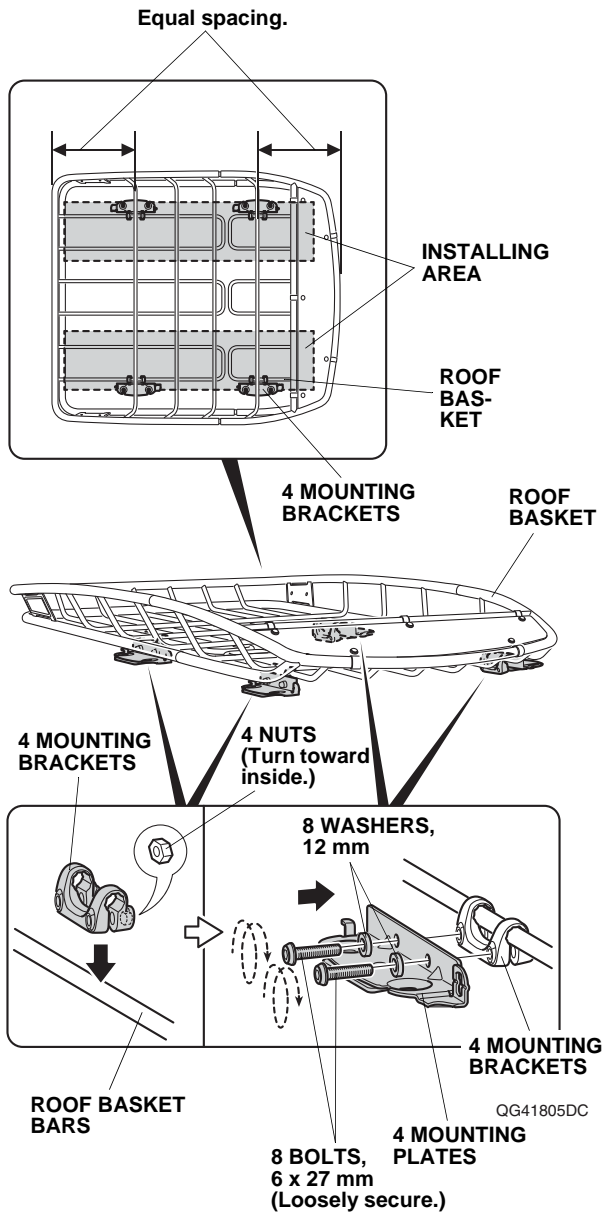


- Using isopropyl alcohol on a shop towel, thoroughly clean the mounting plates where the foam pads will attach.



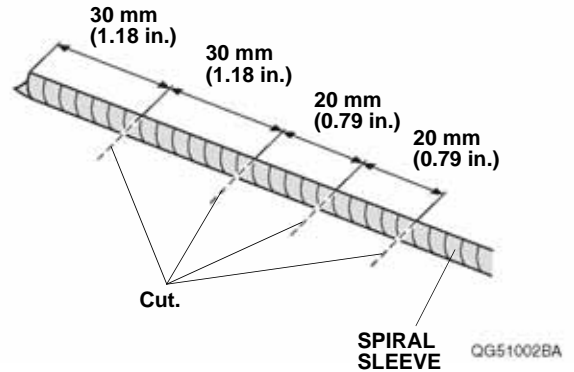
- Attach the foam pads to the bottom of the mounting plates as shown.

7. Place the mounting brackets onto the roof basket bars as shown. The mounting brackets should be as far outboard as possible.  
NOTE: Make sure the roof basket is equally spaced front and rear.

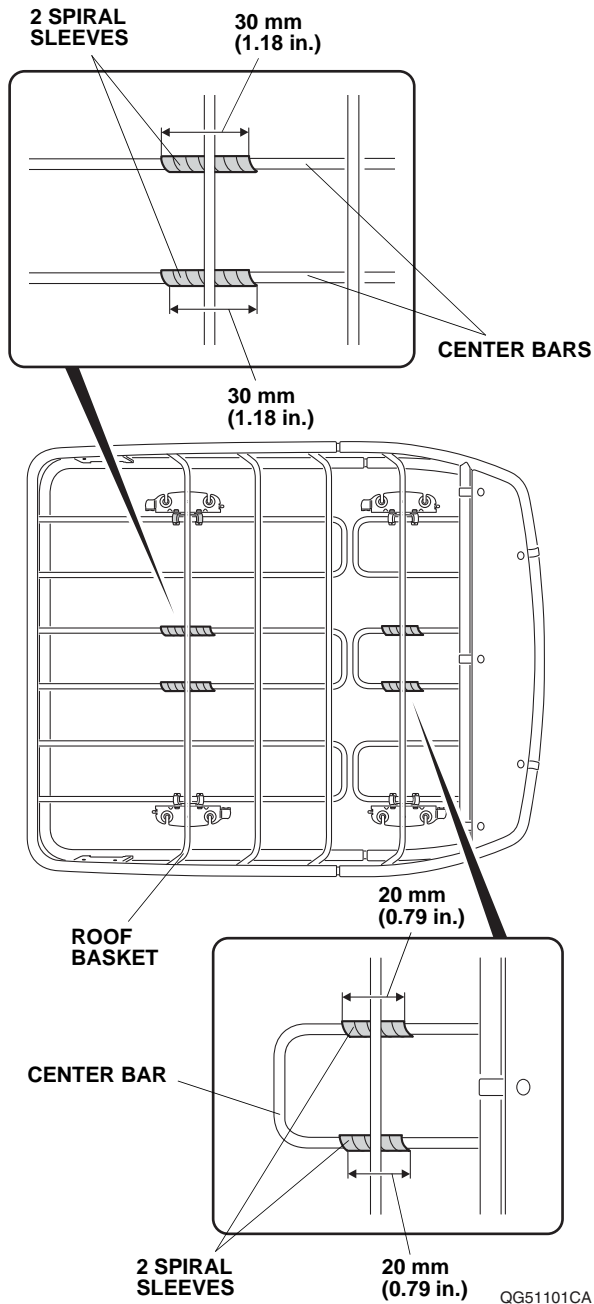


8. Loosely secure the mounting plates to the mounting brackets with the 6 x 27 mm bolts and the 12 mm washers as shown.

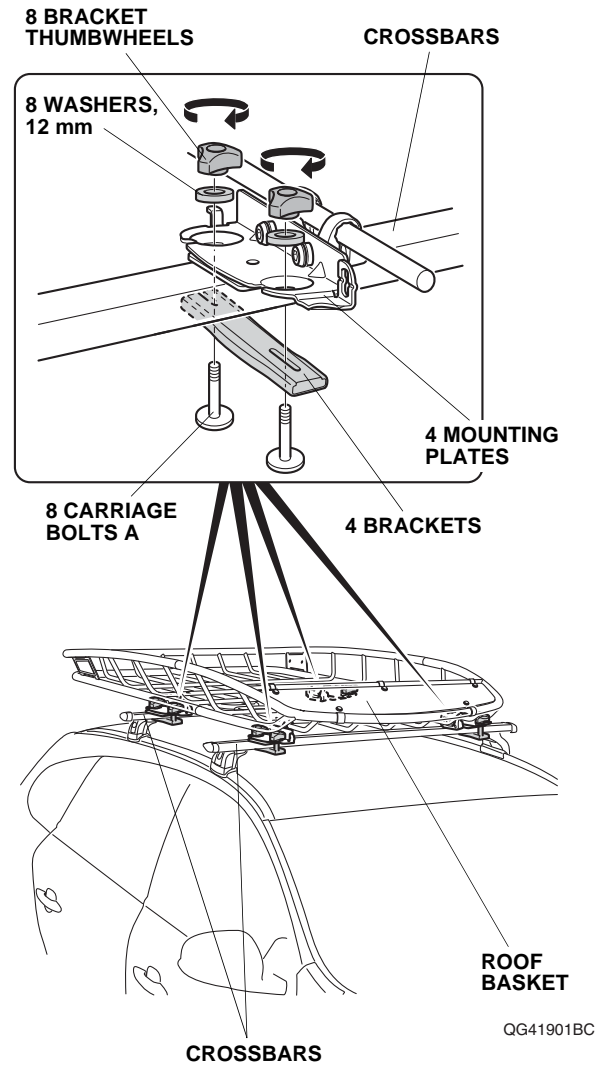
9. Using scissors, cut the spiral sleeve into four pieces as shown.



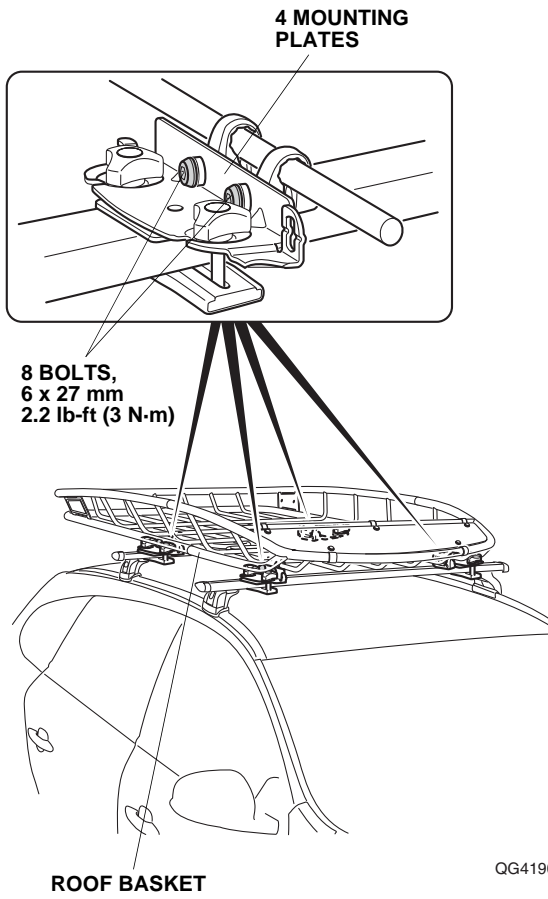
10. Place the spiral sleeves around the roof basket center bars as shown.



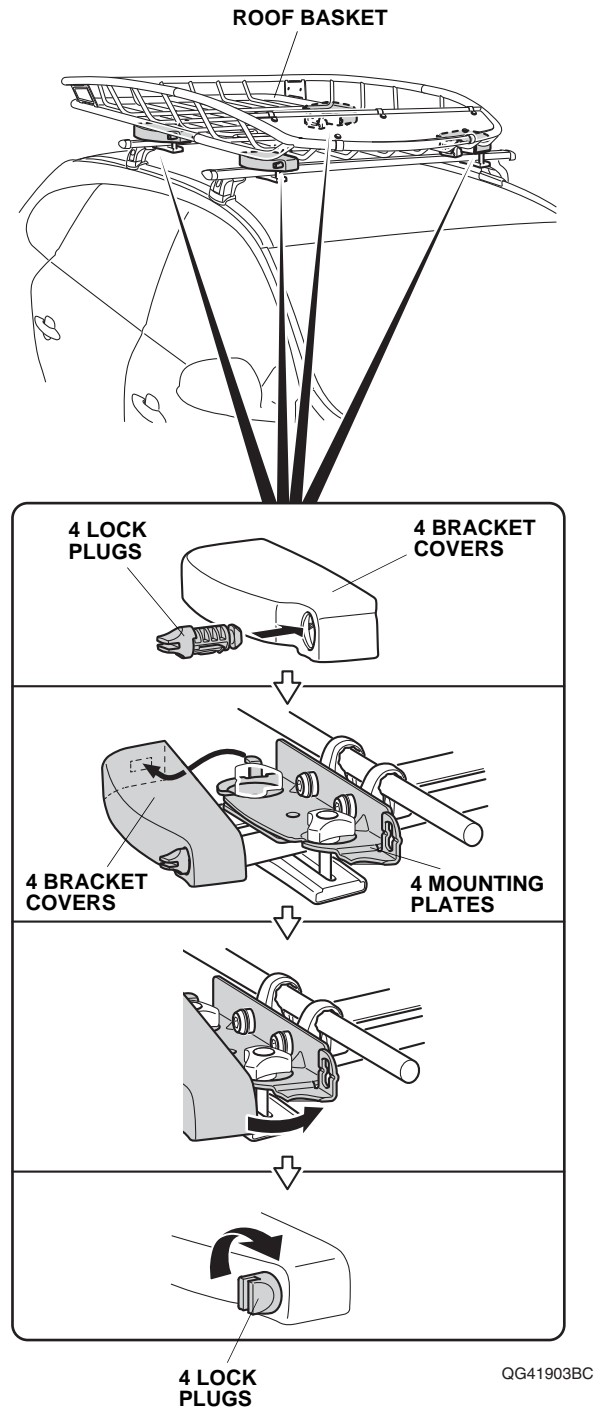
11. Place the roof basket on the crossbars. Firmly secure the roof basket to the crossbars with carriage bolts A, brackets, 12 mm washers, and bracket thumbwheels as shown.



12. Tighten the 6 x 27 mm bolts loosely installed in step 8. Torque the bolts to 2.2 lb-ft (3 N-m).

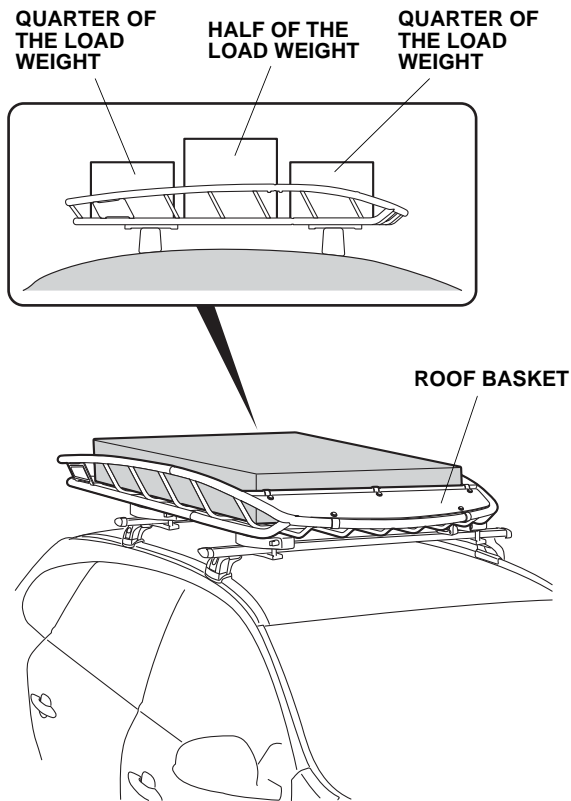


13. Attach the bracket covers to the mounting plates with lock plugs as shown.



## How to Load Luggage on the Roof Basket

- When loading the roof basket, make sure the load is evenly distributed as shown.



QG41904BC

### USE AND CARE

- This roof basket is rated to 150 lbs (68 kg). However, the weight of the roof basket plus the load put in the luggage carrier needs to be less than the crossbars load rating.
- The vehicle should not exceed 80 mph (130 km/h) with the roof basket installed.
- Remove the roof basket when not in use.
- Do not go through an automatic carwash with the roof basket installed.

### PRECAUTIONS

- Avoid sudden starts or stops with the roof basket on the vehicle. It may cause the bolts and other fasteners to loosen.
- Obey local laws and regulations.
- Before driving, check that the roof basket is firmly attached and that any luggage is firmly strapped down.
- This product is designed to be used exclusively on Honda vehicles. Honda is not responsible if the product is used for anything other than its intended purpose.