



# INSTALLATION INSTRUCTIONS

Accessory  
SKI / SNOWBOARD  
ATTACHMENT  
P/N 08L03-E09-100C

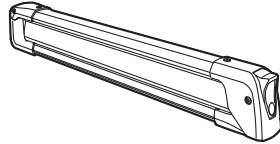
Application  
ALL APPLICABLE MODELS

Publications No.  
**VERSION 1**  
Issue Date  
**NOV 2017**

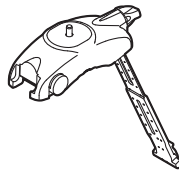
Put this information in the glove box for future reference.

## PARTS LIST

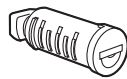
2 Ski / snowboard attachments



4 Ski / snowboard attachment stays



4 Lock cylinders



2 Lock cylinder blanks



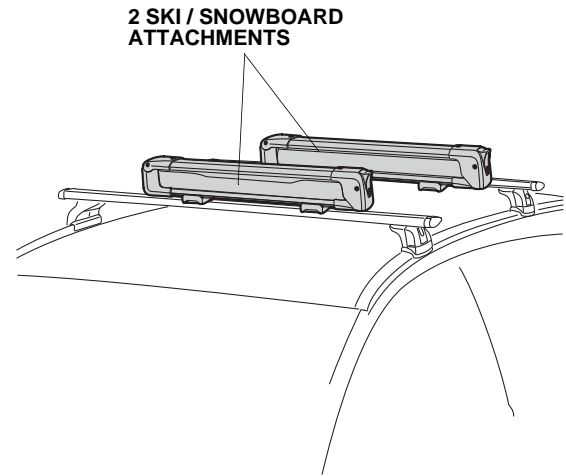
4 Wing nuts



2 Keys



## Illustration of the Ski / Snowboard Attachment on the Vehicle



QG11906AC

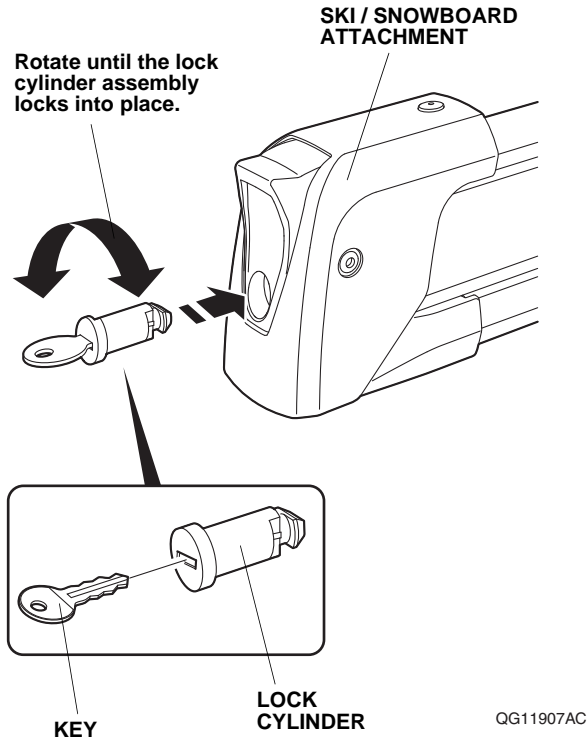
## INSTALLATION

### NOTE:

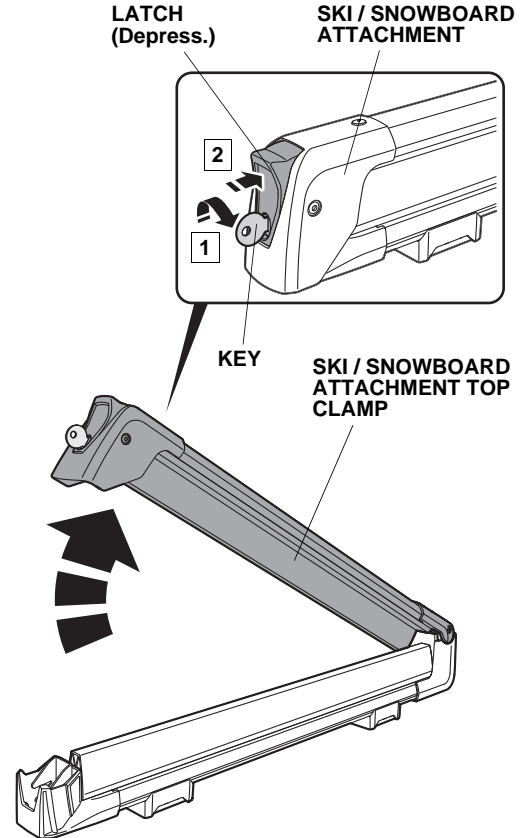
- This ski / snowboard attachment kit is designed to be used exclusively with the crossbars, which are sold separately.
- Do not use non-Honda accessories, carriers or attachment sets with this ski / snowboard attachment kit.
- Install the ski / snowboard attachment after installing the crossbars on the roof.
- Be extremely careful not to damage the roof and other finished surfaces of the body when installing the ski / snowboard attachment.

## Installing the Ski / Snowboard Attachment

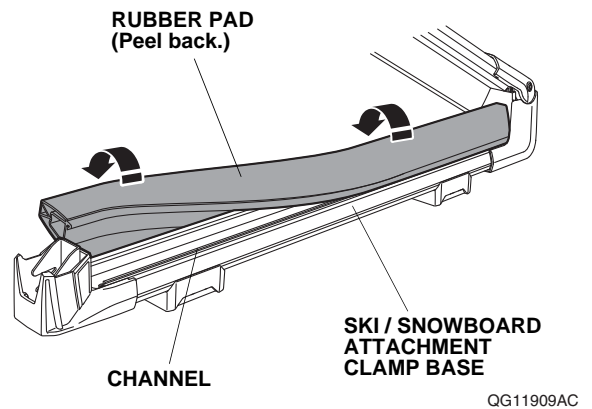
1. Insert the key into the lock cylinder as shown. Push the lock cylinder assembly into the ski / snowboard attachment and rotate it until the lock cylinder assembly locks into place.



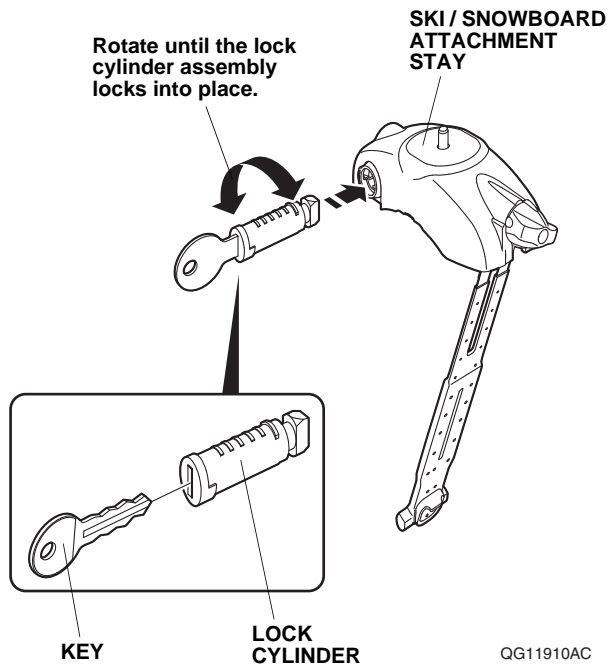
2. Unlock the ski / snowboard attachment and depress the latch to open the ski / snowboard attachment top clamp.  
NOTE: Be careful with the ski / snowboard attachment top clamp to prevent it from springing open.



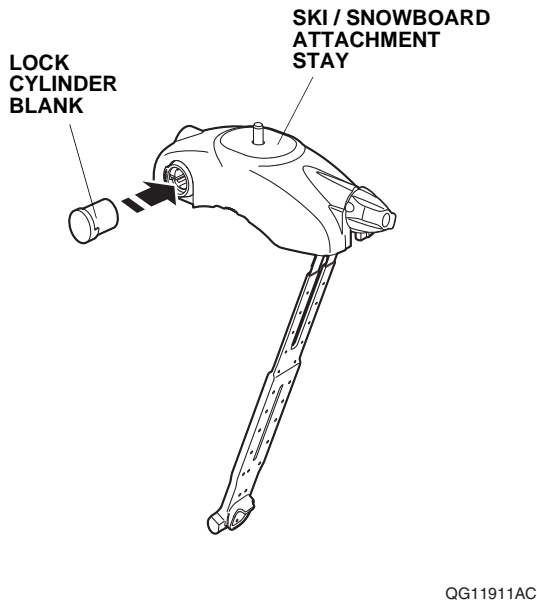
3. Peel back the rubber pad out of the channel on the ski / snowboard attachment clamp base.



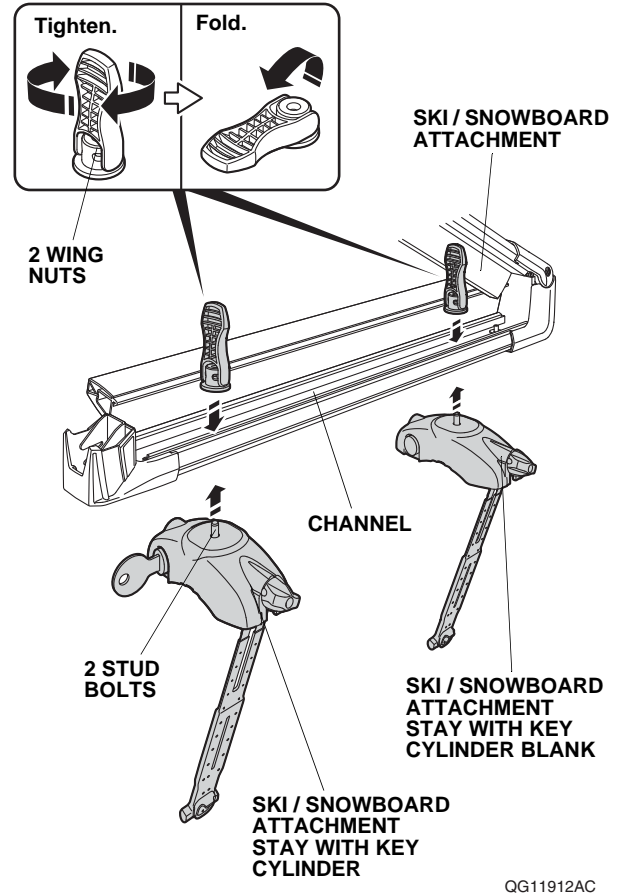
4. Insert the key into the lock cylinder as shown. Push the lock cylinder assembly into the ski / snowboard attachment stay and rotate it until the lock cylinder assembly locks into place.



5. Place the lock cylinder blank into the ski / snowboard attachment stay.

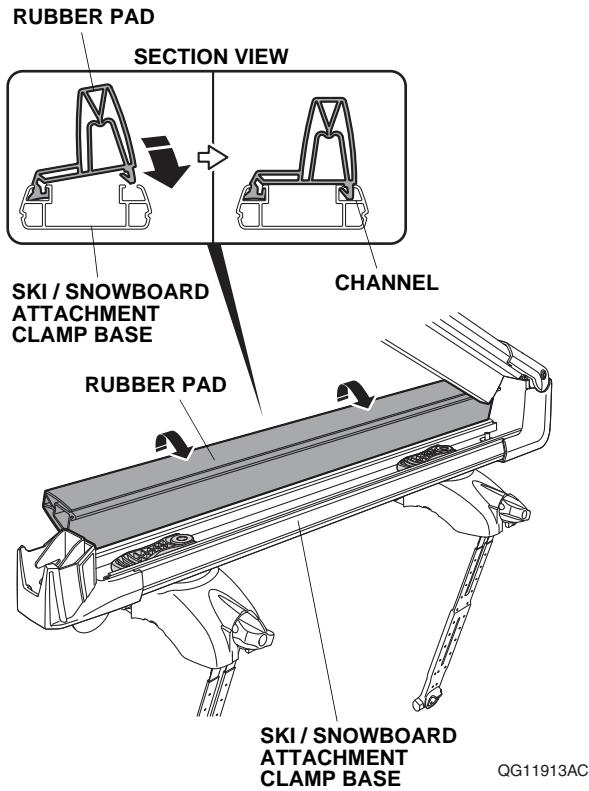


6. Insert the stud bolts on the ski / snowboard attachment stays up through the ski / snowboard attachment.

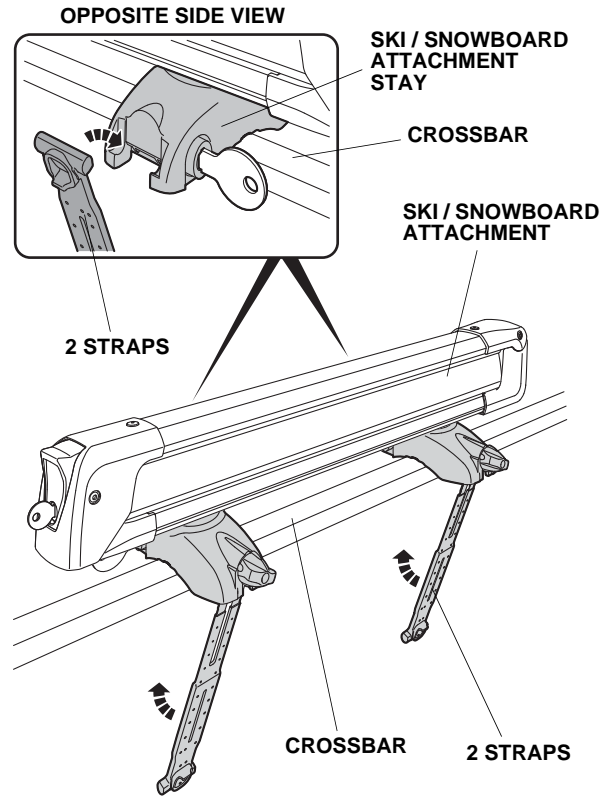


7. Tighten the wing nuts down on the ski / snowboard attachment stay stud bolts. Fold the wing nut handles flat down into the channel on the ski / snowboard attachment clamp base.

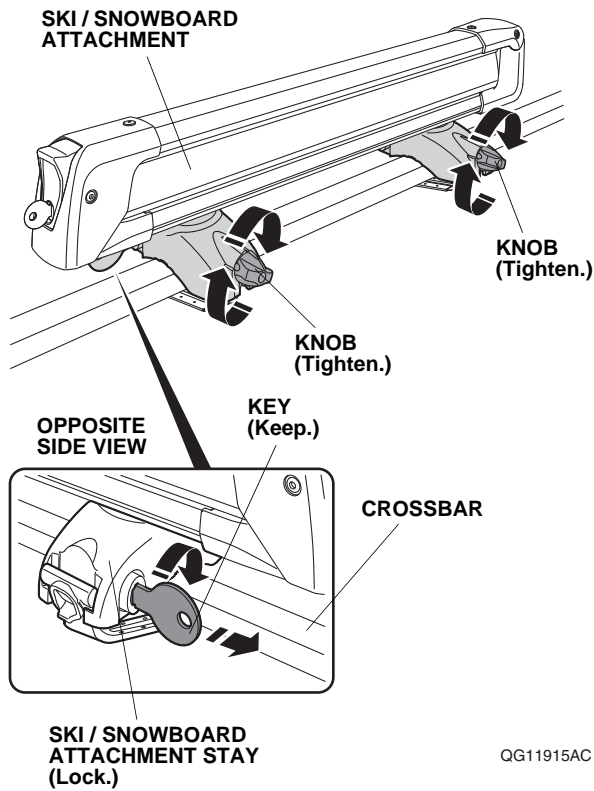
8. Install the rubber pad into the channel on the ski / snowboard attachment clamp base.



9. Place the ski / snowboard attachment assembly onto the crossbar, loop the two straps under the crossbar and set the ends of the straps into the slots on the opposite end of the ski / snowboard attachment stays.



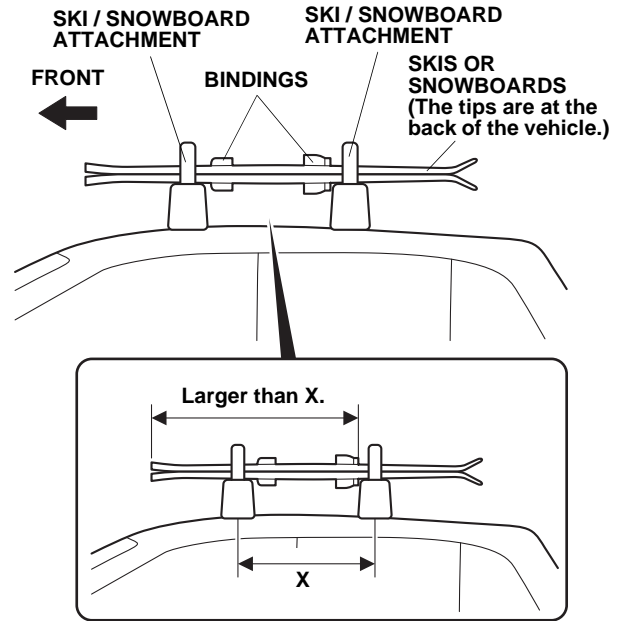
- Tighten the two knobs to cinch the straps down on the crossbar.



- Lock the ski / snowboard attachment stays and remove the key. Store the key in a safe place.
- Repeat the steps 1 through 11 for the other ski / snowboard attachment.

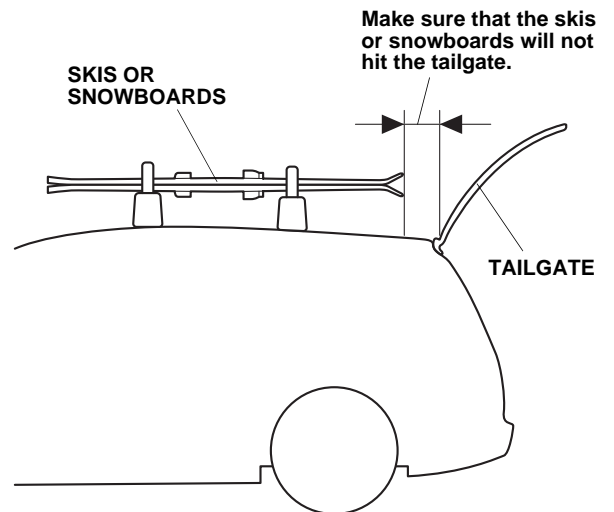
### How to Load Skis or Snowboards on the Ski / Snowboard Attachment

- Open the ski / snowboard attachment top clamps and place the skis or snowboards on the carrier. Make sure that the bindings are placed between the two ski / snowboard attachment stays, and the tips of the skis or snowboards are at the back of the vehicle. **NOTE:** The distance from the front of the bindings to the end of the skis or snowboards (farthest out front overhang point) should be larger than the distance between the crossbars. If not, adjust the skis or snowboards.



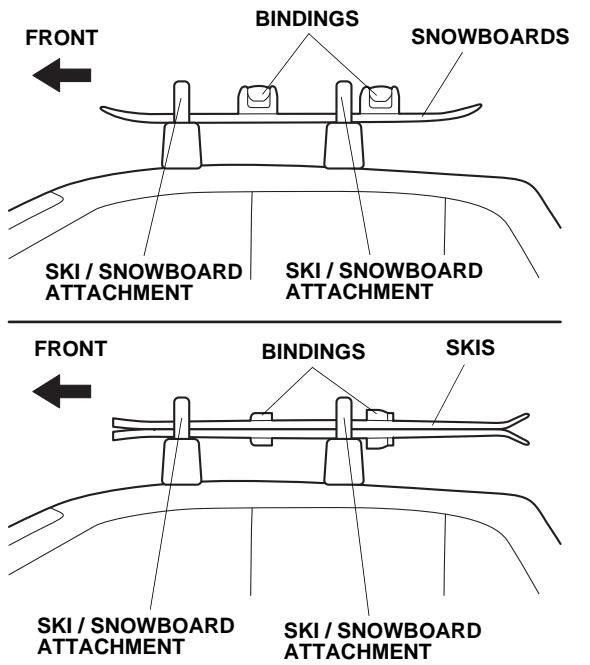
QG11916AC

- Make sure that the skis or snowboards will not hit the tailgate when it is opened.



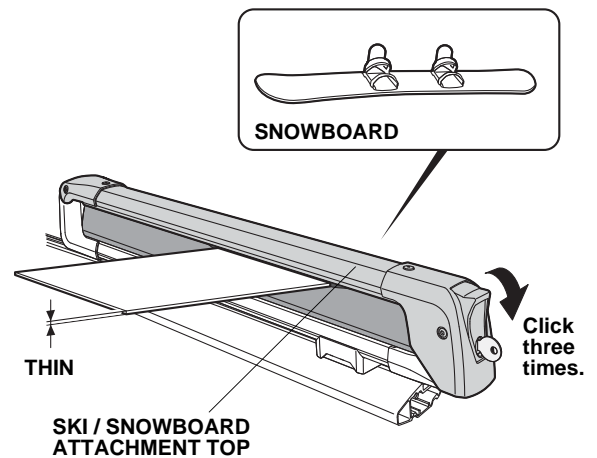
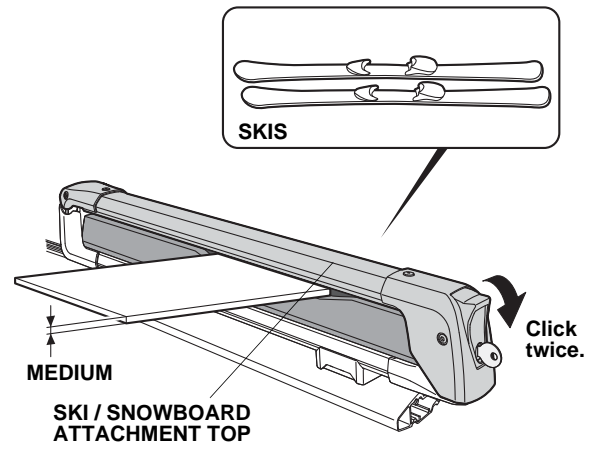
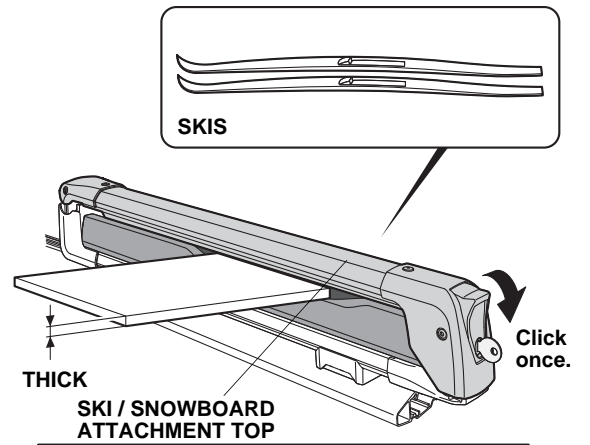
QG11917AC

15. If the bindings cannot be positioned between the front and the rear attachments, install the skis or snowboard with the rear bindings behind the rear attachment as shown.



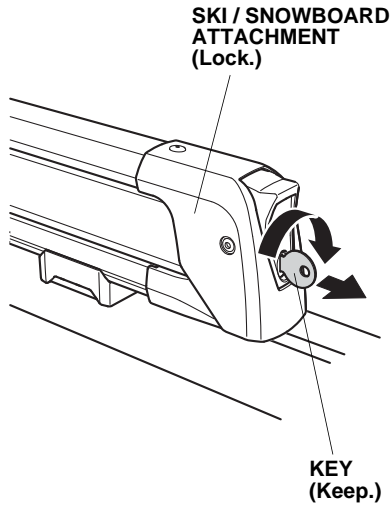
QG11918AC

16. There are three different clamp catches, push down firmly on the ski / snowboard attachment top clamp to make sure that you get the proper clamp force.



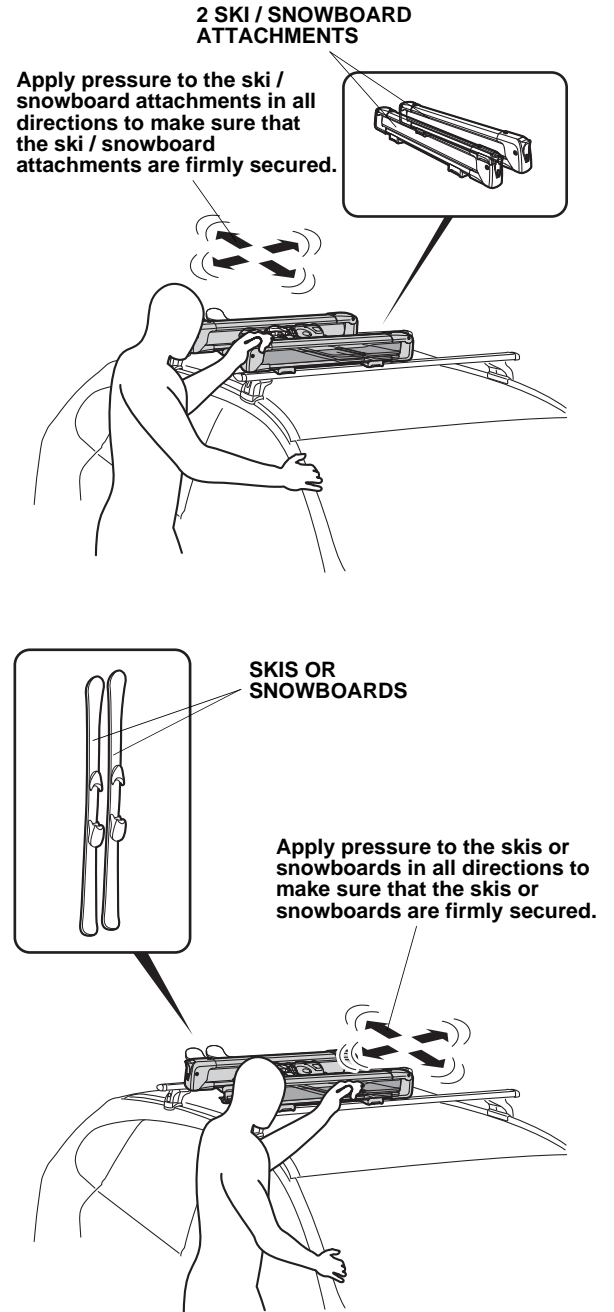
QG11919AG

17. Lock the ski / snowboard attachment clamp. Store the key in a safe place. Repeat for the other ski / snowboard attachment.



QG11920AG

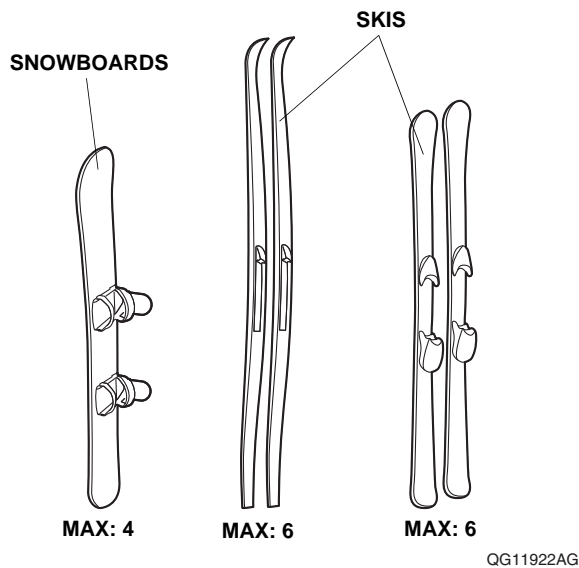
18. Check the ski / snowboard attachments and skis / snowboards installation condition as shown.



QG11921AG

## USE AND CARE

- The weight of the cargo must not exceed the maximum weight capacity of 13.4 lbs (6.1 kg). Determine the maximum number of skis or snowboards that can be mounted to the ski / snowboard attachment as shown.



- Remove the ski / snowboard attachments when they are not in use.
- Do not go through an automatic car wash with the ski / snowboard attachment installed.
- The ski / snowboard attachment raises the overall height of the vehicle. Pay attention to overhead obstacles when driving with the ski / snowboard attachment.
- Do not use the ski / snowboard attachments for the other purposes. Do not exceed maximum weight capacity.
- Be extremely careful not to damage the roof and other finished surfaces of the body when installing the ski / snowboard attachments and skis or snowboards.
- Before and after driving, or after loading skis or a snowboard on the attachment, check the security of the attachment mounts and retighten them as necessary.

## PRECAUTION

- Avoid sudden starts or stops with the attachments on the vehicle. It may cause the bolts and other fasteners to loosen.
- Obey local laws and regulations.
- Before driving, check that the attachments are firmly attached regardless of whether or not skis/snowboards are mounted on the attachment.
- Only use the ski / snowboard attachments with vehicles that specify that it can be applied.