

Front Bumper Removal and Installation

Removal/Installation

NOTE: [How to read the torque specifications.](#)

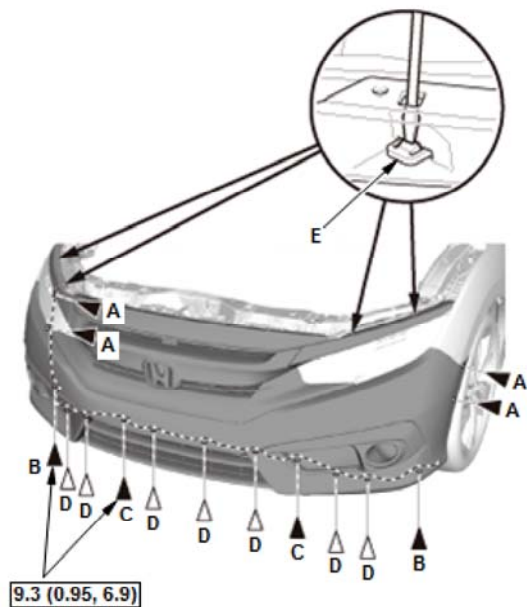
1. Hood Seal - Remove

2. Front Bumper - Remove

2/4-door

Fastener Locations

A ▶ : 4 B ▶ : 2 C ▶ : 2 D ▶ : 7

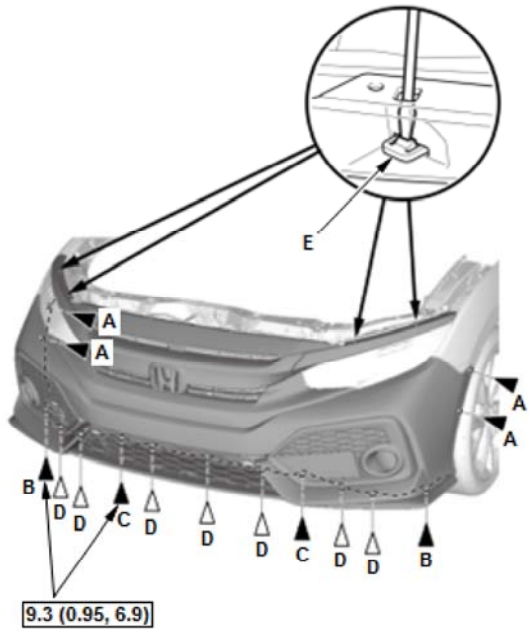
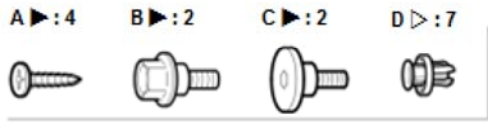


1. Remove the screws (A), the bolts (B, C), and the clips (D).
2. Release the hooks (E).

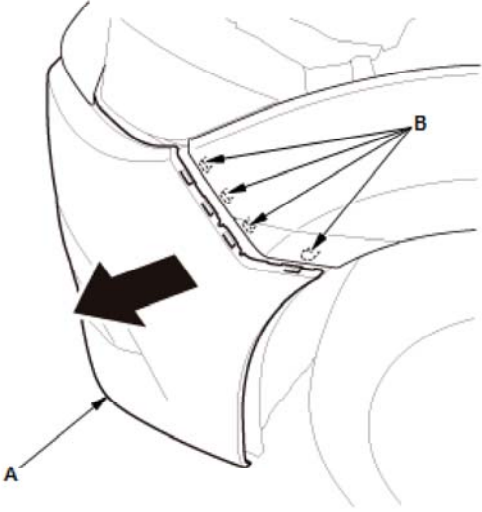
This illustration shows 4-door.

5-door

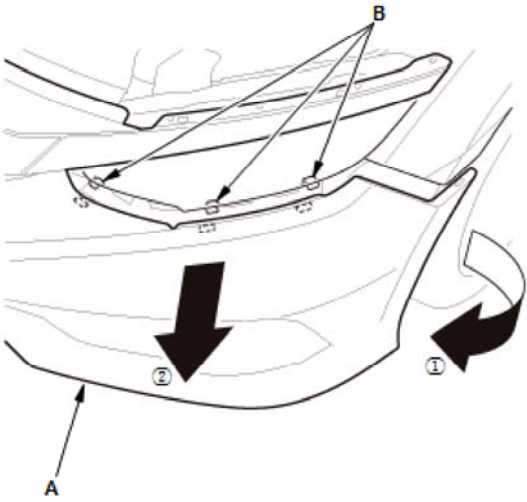
Fastener Locations



3. Pull out the front bumper (A) at the wheel arch area to release it from the hooks (B) on the side spacer.

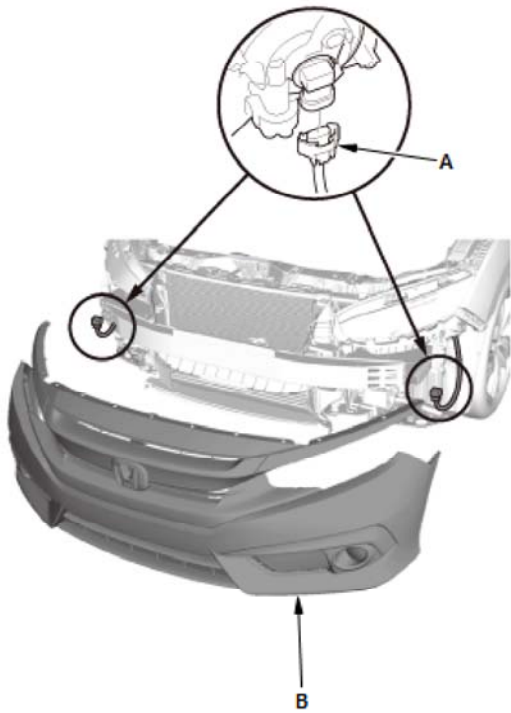


4. With the help of an assistant, while pulling the front bumper (A) away from the side spacer, release the bumper from the hooks (B) on the upper beam.



5. With fog light: Disconnect the connectors (A).

6. Remove the front bumper (B).



3. All Removed Parts - Install

1. Install the parts in the reverse order of removal.

NOTE: When installing the front bumper (A), take care not to bend the front bumper side induction plate (B).

