



## INSTALLATION INSTRUCTIONS

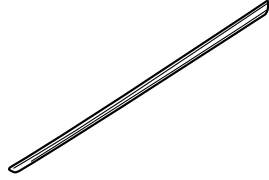
Accessory  
BODY SIDE MOLDINGS

Application  
2016 ACCORD  
2-DOOR

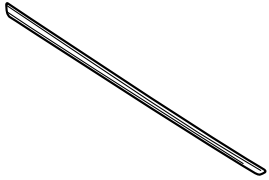
Publications No.  
VERSION 1  
Issue Date  
AUG 2015

### PARTS LIST

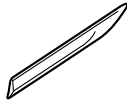
Left front body side molding



Right front body side molding



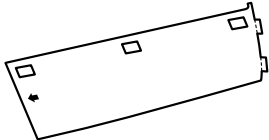
Left rear body side molding



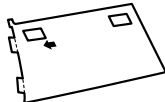
Right rear body side molding



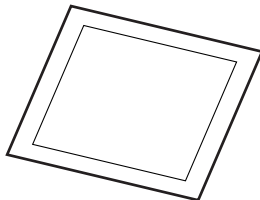
Front template



Rear template



4 Alcohol swabs



### TOOLS AND SUPPLIES REQUIRED

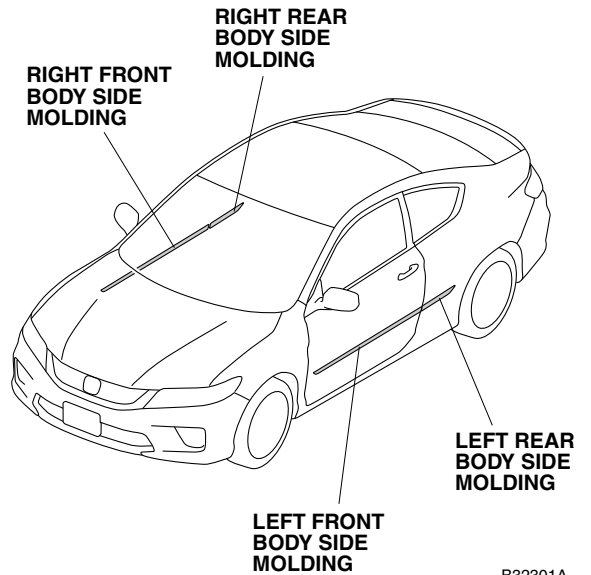
Masking tape

Ruler

The following tool is available through the Honda Tool and Equipment Program. On the iN, click on: Service > Service Bay > Tool and Equipment Program, then enter the number under "Search". Or, call 888-424-6857.

- Rubber Roller (T/N MHLE54D)

### Illustration of the Body Side Moldings on the Vehicle



B32301A

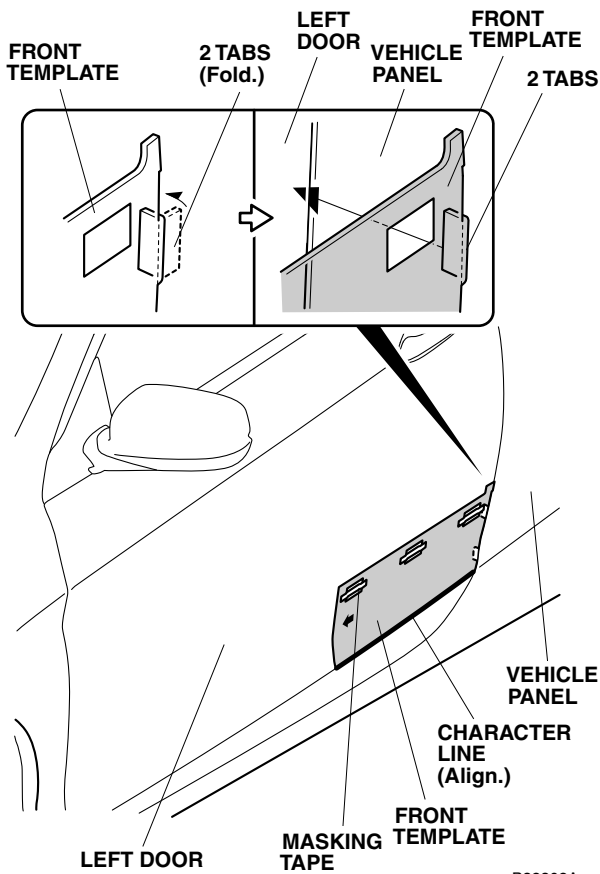
### INSTALLATION

**Customer Information:** The information in this installation instruction is intended for use only by skilled technicians who have the proper tools, equipment, and training to correctly and safely add equipment to your vehicle. These procedures should not be attempted by "do-it-yourselfers."

#### NOTE:

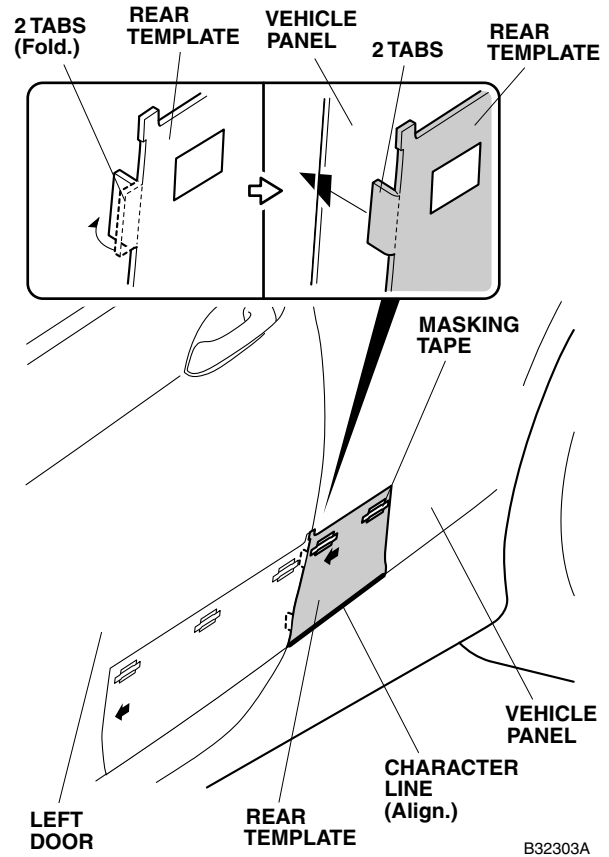
- If you are also installing the accessory door edge guard (sold separately) or door edge film (sold separately), install them before you install the body side molding.
- Be careful not to damage the vehicle body paint finish.
- This kit should be installed only if the ambient air temperature is 15°C (60°F) or above.
- To allow the adhesive to cure, do not wash the vehicle for 24 hours. Please advise the customer.

1. Get the front template. Fold the two tabs on the template in the direction shown.



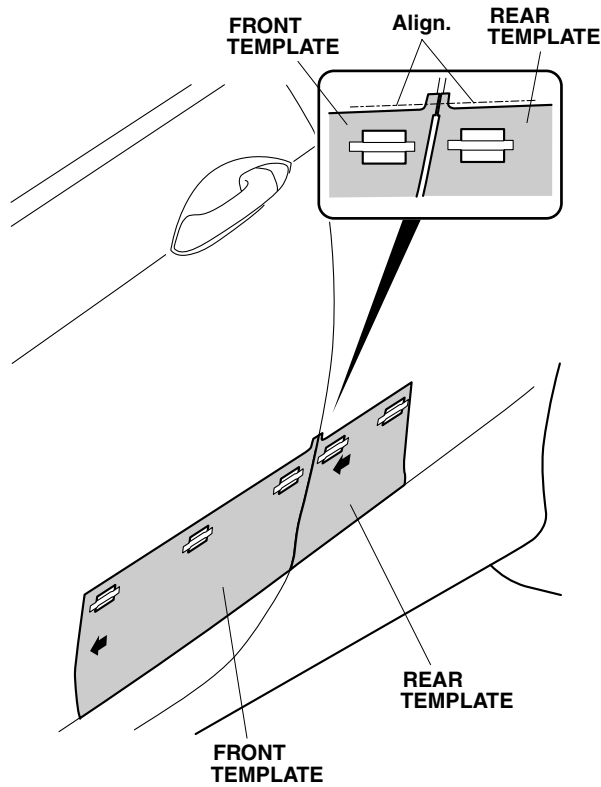
2. Insert the folded tabs of the front template into the opening between the left door and the vehicle panel. Align the template with the character line, and tape the template to the door with strips of masking tape.

3. Get the rear template. Fold the two tabs on the template in the direction shown.



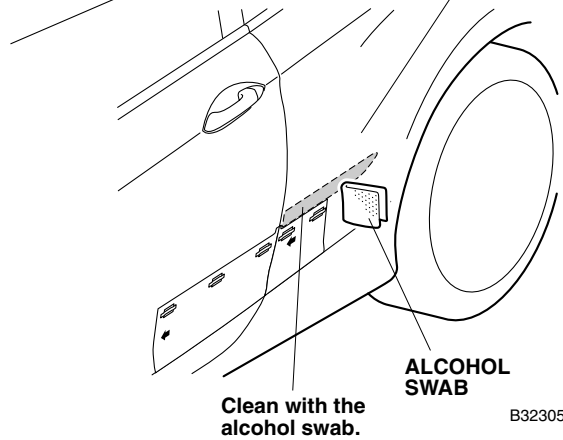
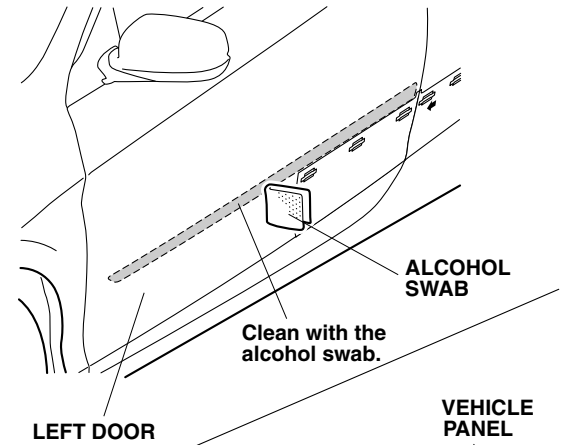
4. Insert the folded tabs of the rear template into the opening between the left door and the vehicle panel. Align the template with the character line, and tape the template to the vehicle panel with strips of masking tape.

5. Check that the edges of the front and rear templates are aligned. Readjust the templates if necessary.



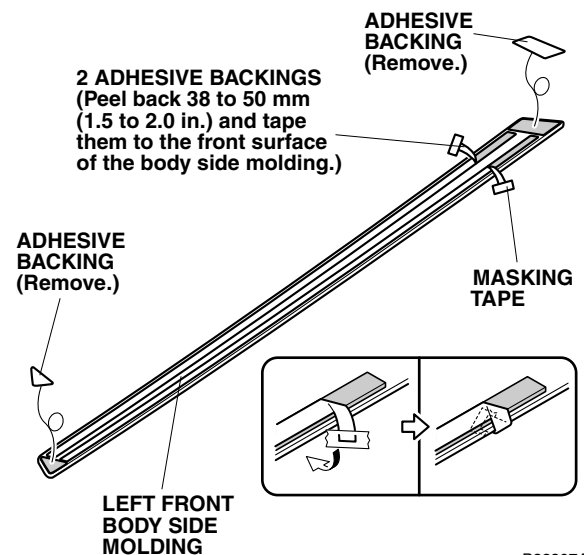
B32304A

6. Using one alcohol swab, thoroughly clean the left door and the vehicle panel where the body side moldings will attach. Allow the alcohol to dry.



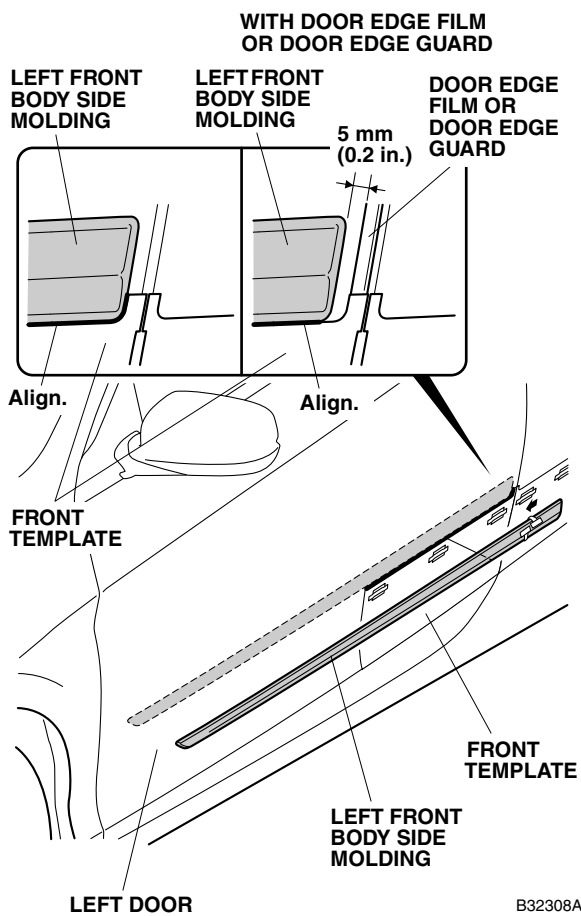
B32305C

7. Peel back approximately 38 to 50 mm (1.5 to 2.0 in.) of adhesive backing from each adhesive strip, and tape the ends to the front surface of the body side molding. Remove the small end pieces of the adhesive backing.

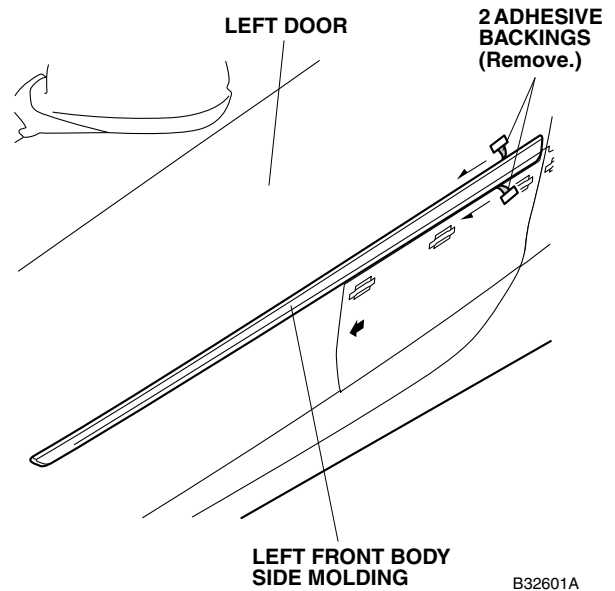


B32307A

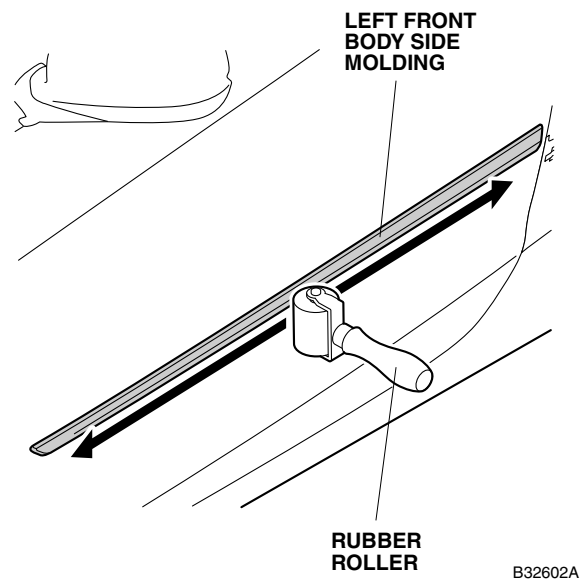
8. Align the left front body side molding with the front template, and attach it to the left door as shown.  
NOTE: If the vehicle is equipped with a door edge film or a door edge guard, attach the left front body side molding at the measurement shown.



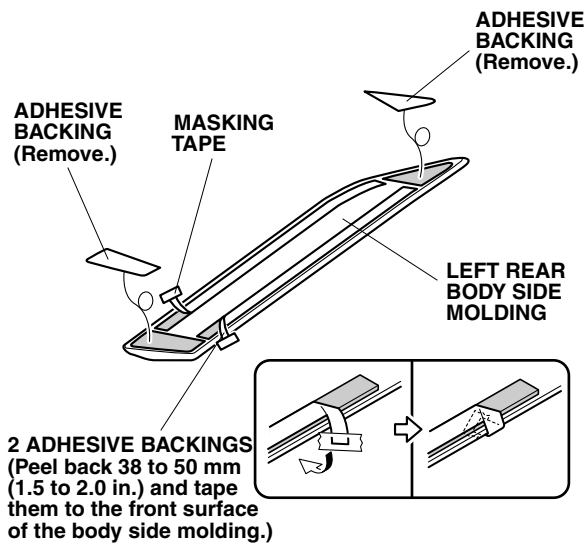
9. While applying light pressure against the left front body side molding, carefully remove the taped adhesive backings. Remove about 50 to 100 mm (2.0 to 4.0 in.) at a time.



10. Remove the front template.
11. Using a rubber roller, apply pressure against the left front body side molding and roll from one end to the other.

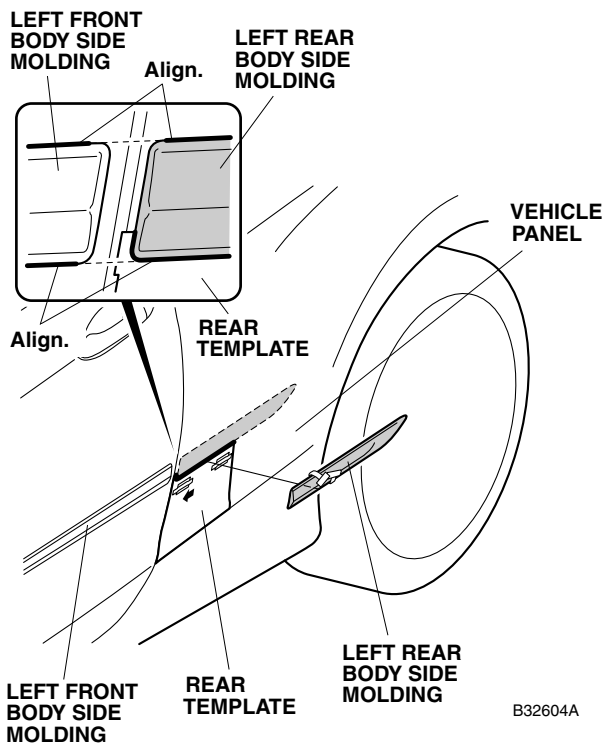


12. Peel back approximately 38 to 50 mm (1.5 to 2.0 in.) of adhesive backing from each adhesive strip, and tape the ends to the front surface of the body side molding. Remove the small end pieces of the adhesive backing.



B32603A

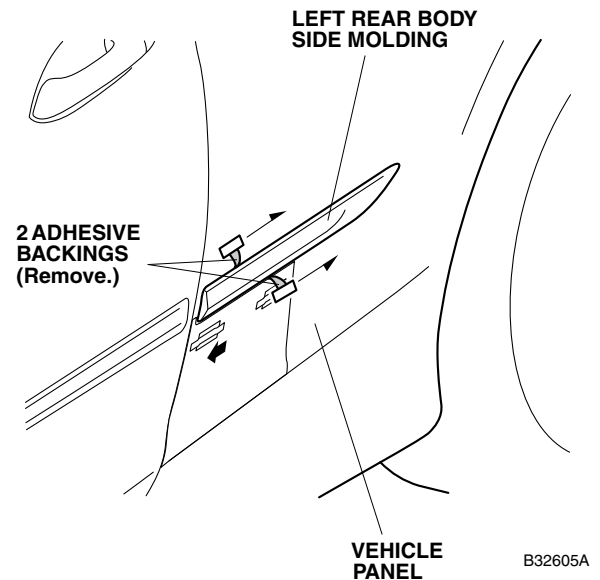
13. Align the left rear body side molding with the rear template, and attach it to the vehicle panel as shown.



B32604A

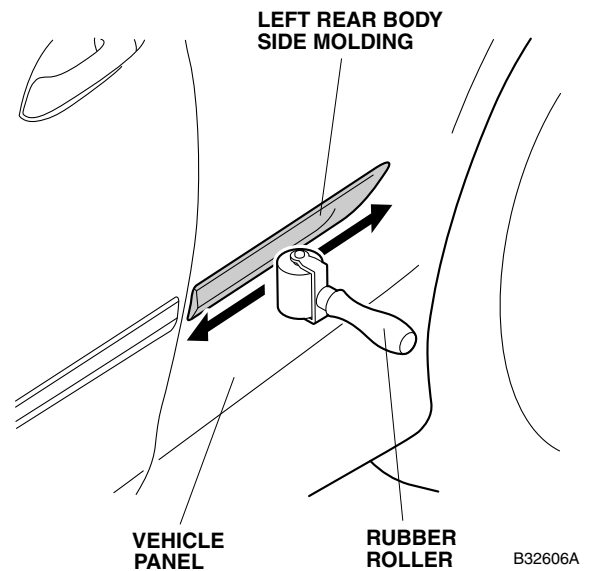
14. Check that the edges of the front and rear moldings are aligned. Readjust the moldings if necessary.

15. While applying light pressure against the left rear body side molding, carefully remove the taped adhesive backings. Remove about 50 to 100 mm (2.0 to 4.0 in.) at a time.



B32605A

16. Remove the rear template.
17. Using a rubber roller, apply pressure against the left rear body side molding and roll from one end to the other.



B32606A

18. Turn the front and rear templates over, and repeat steps 1 through 17 to install the body side moldings on the right side of the vehicle.