



## INSTALLATION INSTRUCTIONS

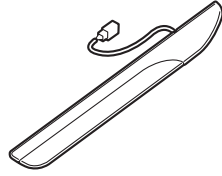
Accessory  
ILLUMINATED  
DOOR SILL TRIMS  
P/N 08E12-T3L-101

Application  
2013-15 ACCORD  
2-DOOR

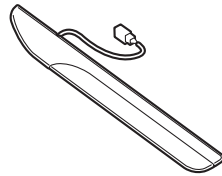
Publications No.  
**VERSION 1**  
Issue Date  
**MAY 2015**

### PARTS LIST

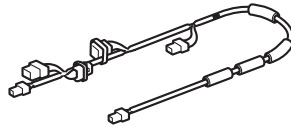
Right illuminated door sill trim



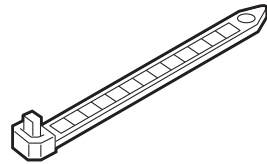
Left illuminated door sill trim



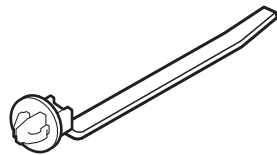
Door sill trim harness



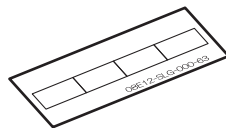
17 Wire ties



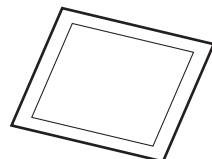
Wire tie with clip



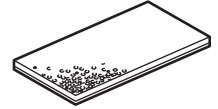
Fuse label



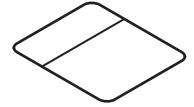
Alcohol swab



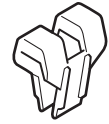
Urethane tape



Protective tape



2 Protective clips



### TOOLS AND SUPPLIES REQUIRED

Phillips screwdriver

Isopropyl alcohol

Shop towel

Diagonal cutters

10 mm Open end wrench

Flat-tip screwdriver

Steel wire

Masking tape

Ruler

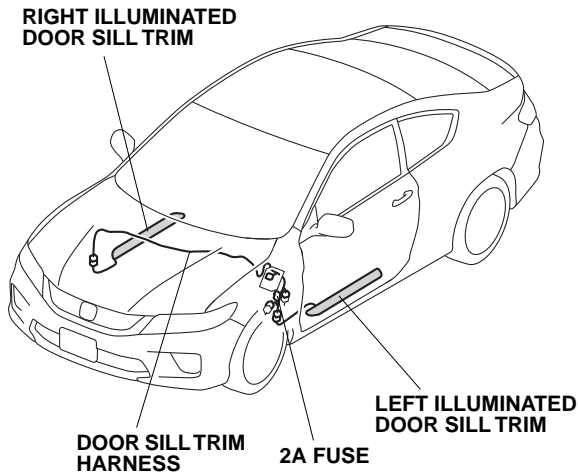
Electrical tape

Scissors

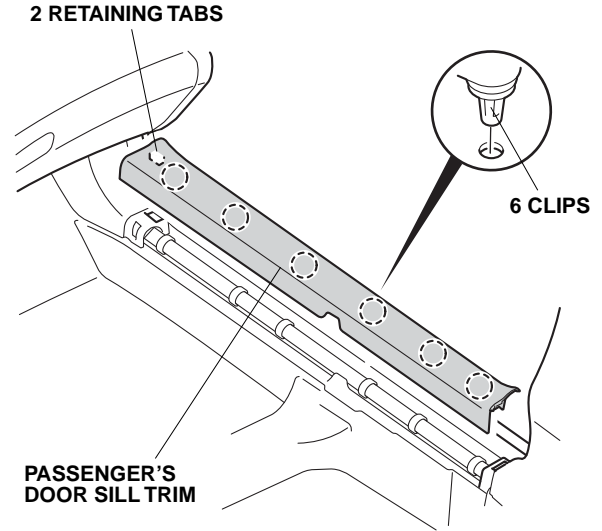
*The following tool is available through the Honda Tool and Equipment Program. On the iN, click on: Service > Service Bay > Tool and Equipment Program, then enter the number under "Search". Or, call 888-424-6857.*

- Trim Tool Set (T/N SOJATP2014)

## Illustration of the Illuminated Door Sill Trims on the Vehicle



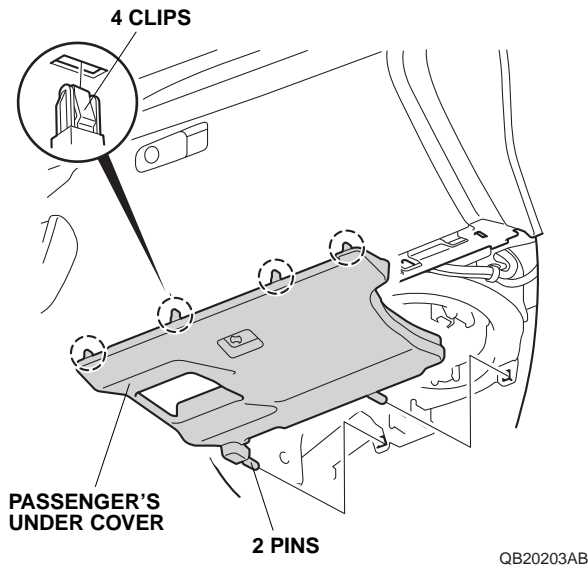
3. Remove the passenger's door sill trim.



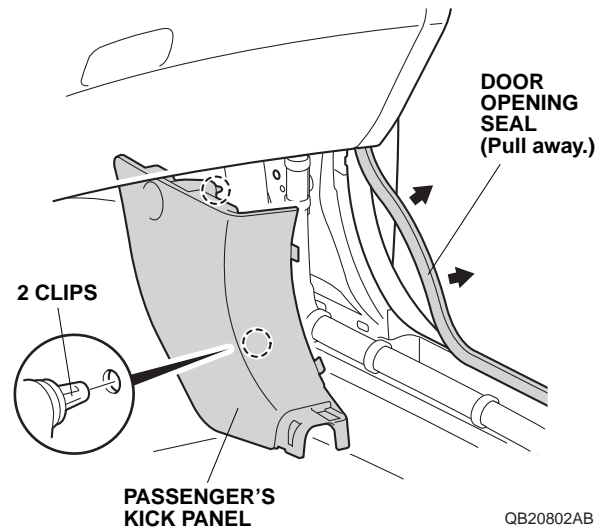
## INSTALLATION

**Customer Information:** The information in this installation instruction is intended for use only by skilled technicians who have the proper tools, equipment, and training to correctly and safely add equipment to your vehicle. These procedures should not be attempted by "do-it-yourselfers."

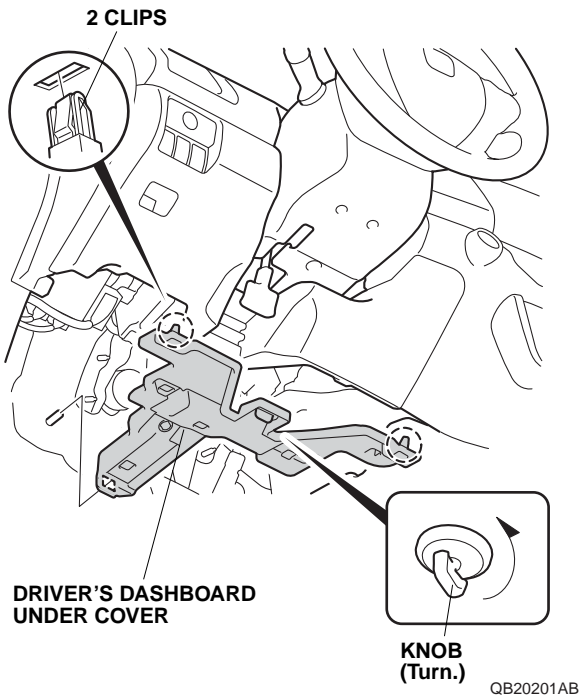
1. Disconnect the negative cable from the battery.
2. Remove the passenger's under cover.



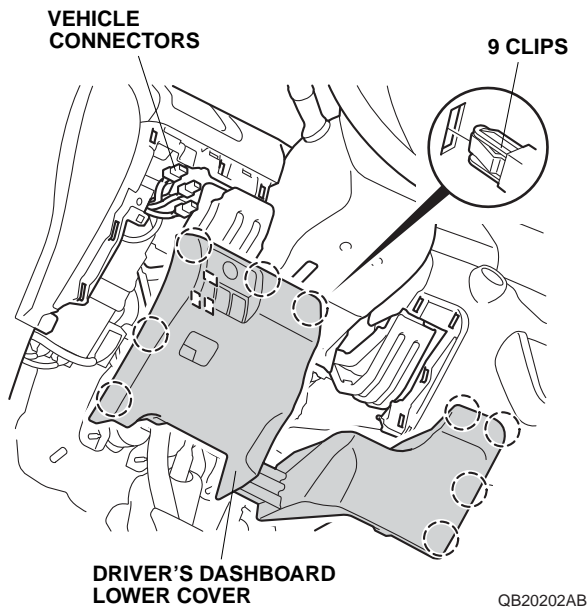
4. Pull away the door opening seal, and remove the passenger's kick panel.



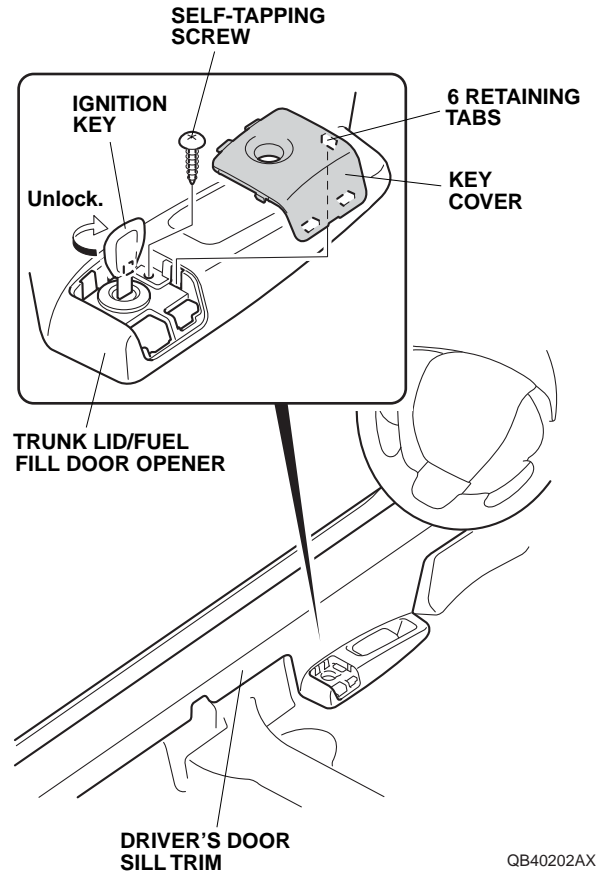
5. If equipped, remove the driver's dashboard under cover.



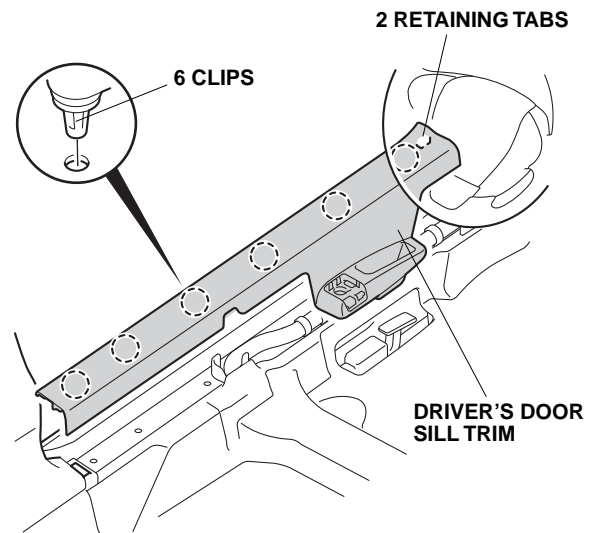
6. Remove the driver's dashboard lower cover and unplug the vehicle connectors.



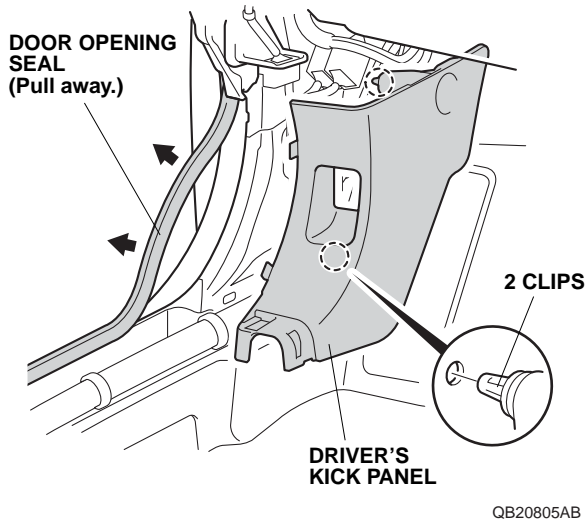
7. Using the ignition key, unlock the trunk lid/fuel fill door opener, then remove the ignition key. Remove the key cover.



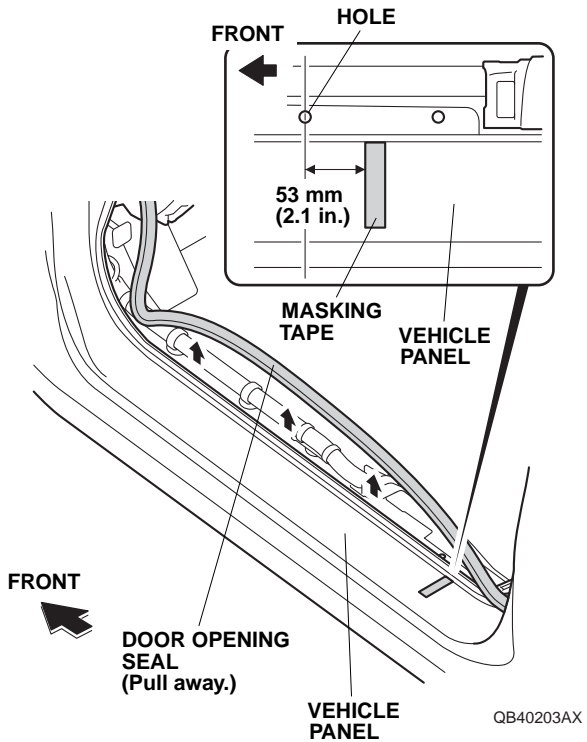
8. Remove one self-tapping screw from the trunk lid/fuel fill door opener cover.
9. Remove the driver's door sill trim.



10. Pull away the door opening seal, and remove the driver's kick panel.

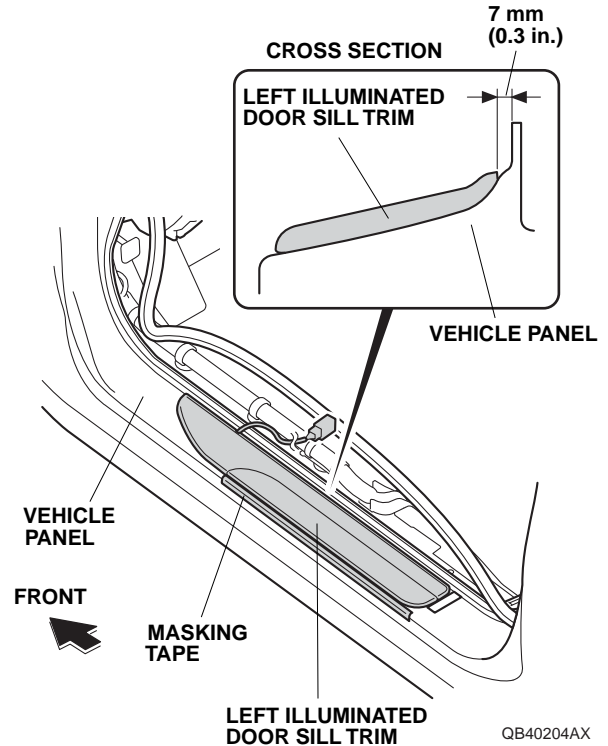


11. Pull away the door opening seal in the area shown.



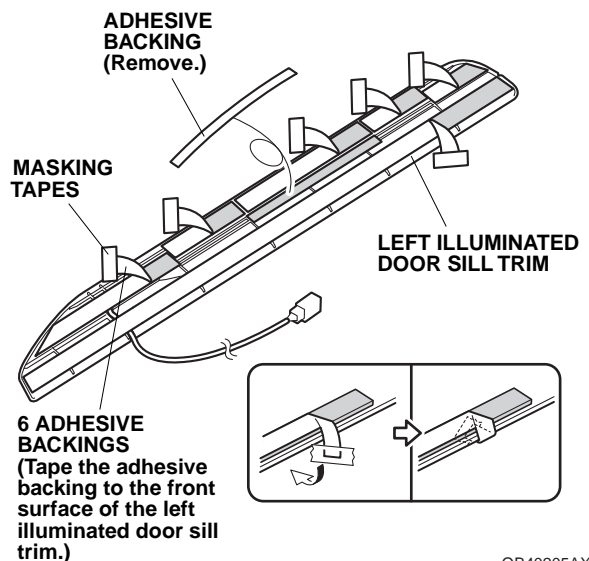
12. Attach a piece of masking tape to the vehicle panel in the location shown.

13. Align the left illuminated door sill trim with the masking tape attached in step 12, then attach another piece of masking tape to the vehicle panel along the outside edge of the left illuminated door sill trim. Do not tape down the left illuminated door sill trim.

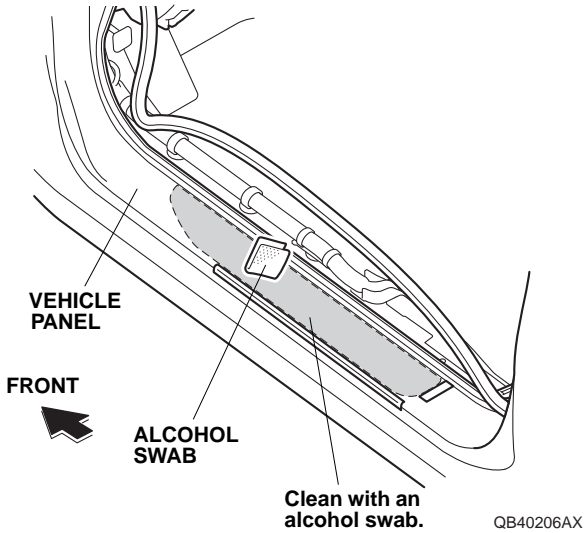


14. Remove the left illuminated door sill trim.

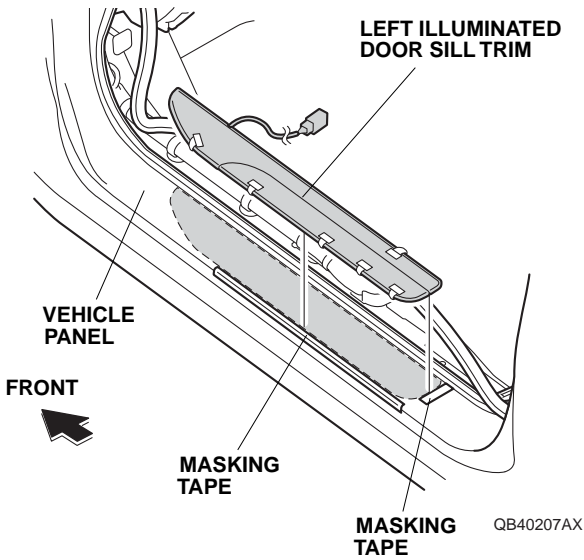
15. Peel back the adhesive backings, and tape them to the front surface of the left illuminated door sill trim with masking tape. Remove the other adhesive backing.



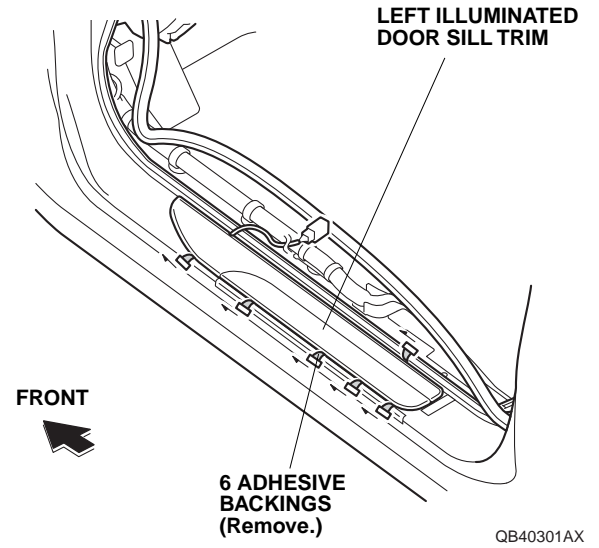
16. Using an alcohol swab, thoroughly clean the vehicle panel where the left illuminated door sill trim will attach.



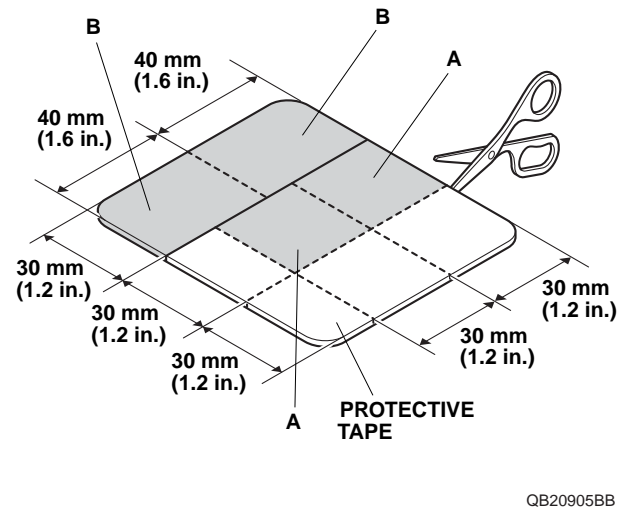
17. Align the left illuminated door sill trim with the masking tapes and install the left illuminated door sill trim to the vehicle panel.



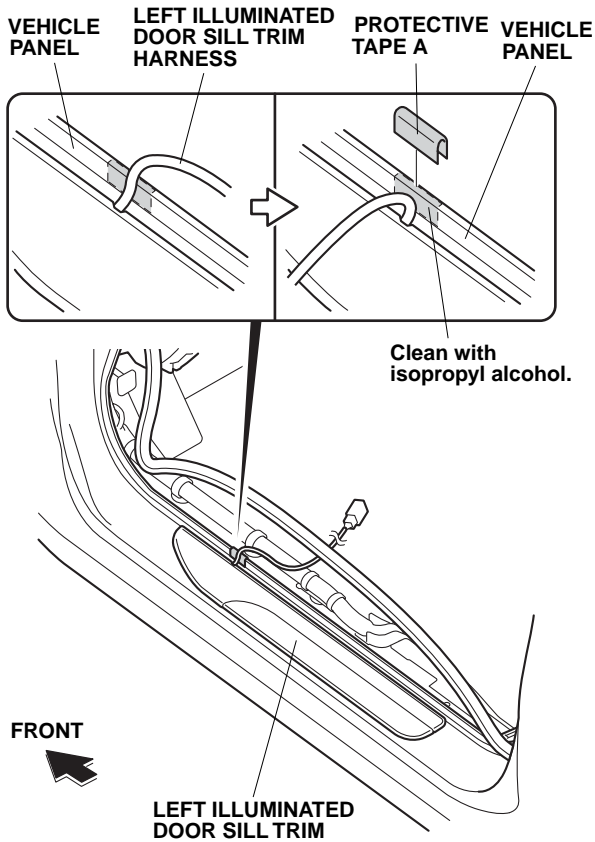
18. While applying light pressure against the left illuminated door sill trim, carefully remove the taped adhesive backings.



19. Remove the all of the masking tape.
20. Using scissors, cut the protective tape as shown.

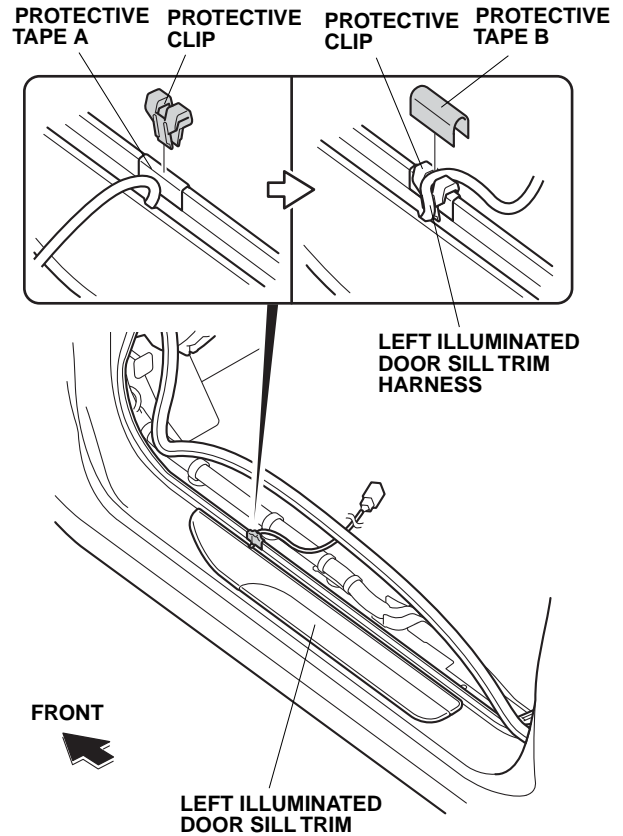


21. Using isopropyl alcohol on a shop towel, thoroughly clean the vehicle panel where the protective tape will attach. Attach one piece of protective tape A to the vehicle panel as shown.



QB40302AX

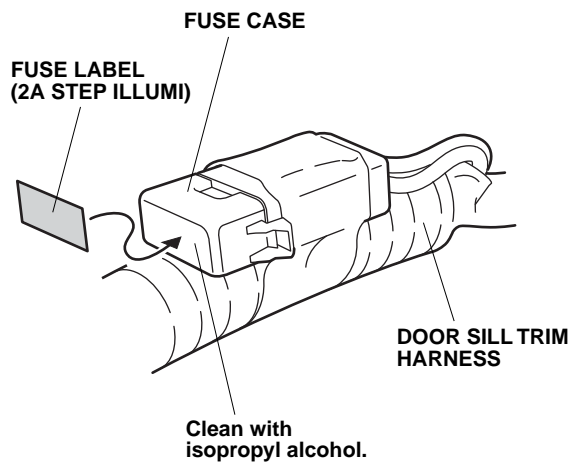
22. Install the protective clip to the protective tape A on the vehicle panel.



QB40303AX

23. Align and route the left illuminated door sill trim harness over the protective clip as shown.
24. Attach one piece of protective tape B to the protective clip.
25. Repeat steps 11 through 24 to install the right illuminated door sill trim.

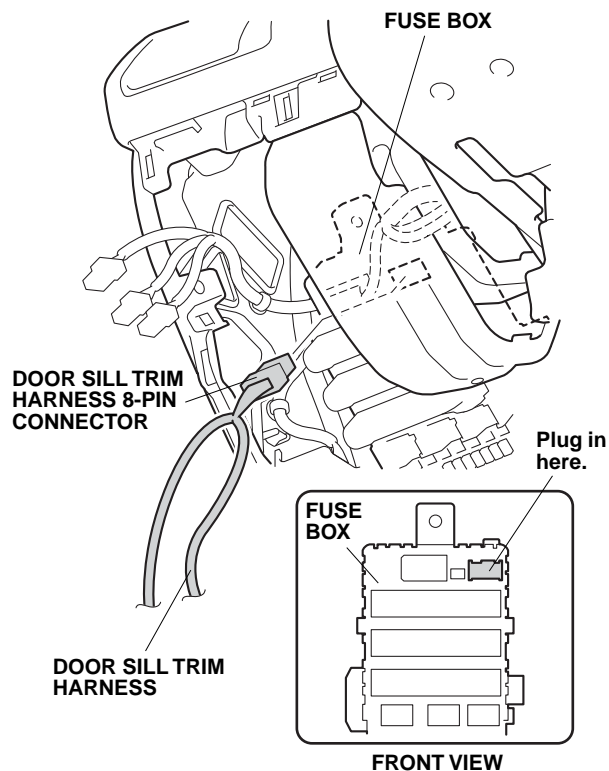
26. Using isopropyl alcohol on a shop towel, thoroughly clean the fuse case where the fuse label will attach. Attach the fuse label (2A STEP ILLUMI) to the fuse case on the door sill trim harness.



6216030B

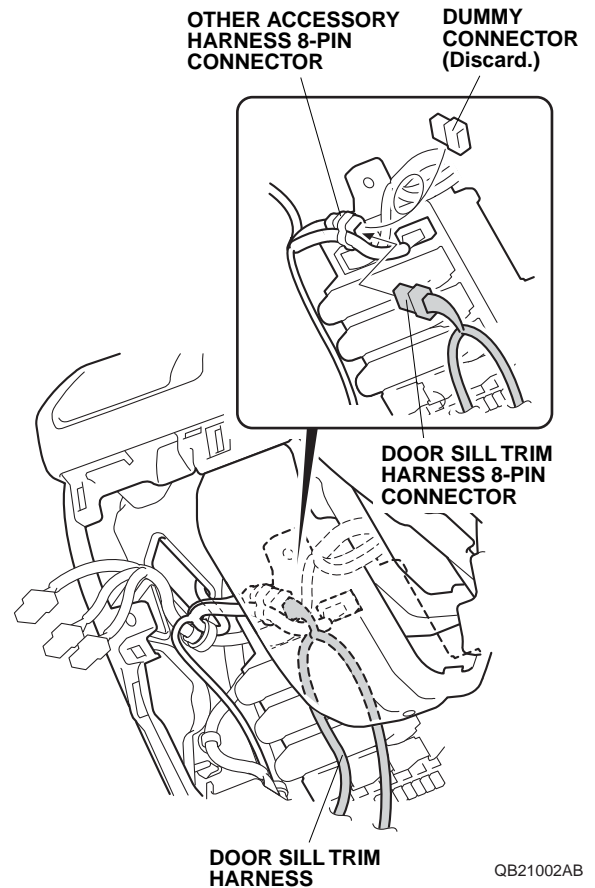
If the vehicle is equipped with another accessory 8-pin connector, go to step 28; otherwise, continue with step 27.

27. Plug the door sill trim harness 8-pin connector into the fuse box. Go to step 29.



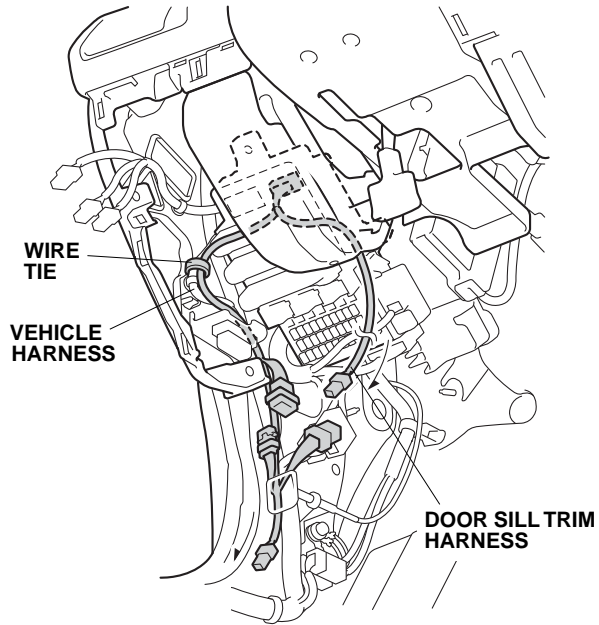
QB21001AB

28. Remove and discard the dummy connector from the other accessory harness. Plug the door sill trim 8-pin connector into the other accessory harness 8-pin connector.



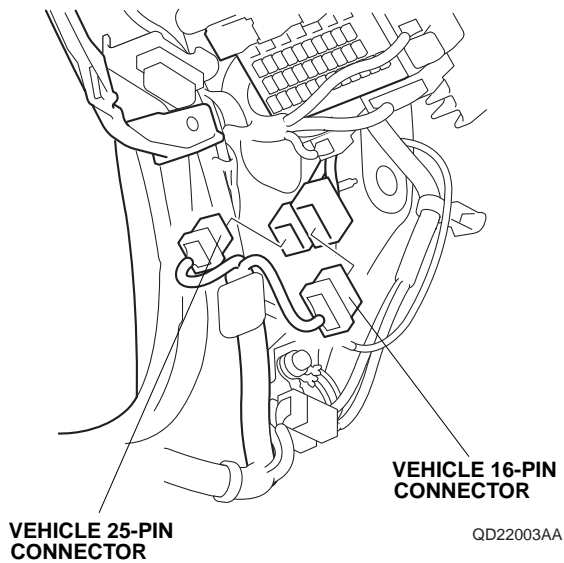
QB21002AB

29. Route the door sill trim harness as shown, and secure the door sill trim harness to the vehicle harness with one wire tie.



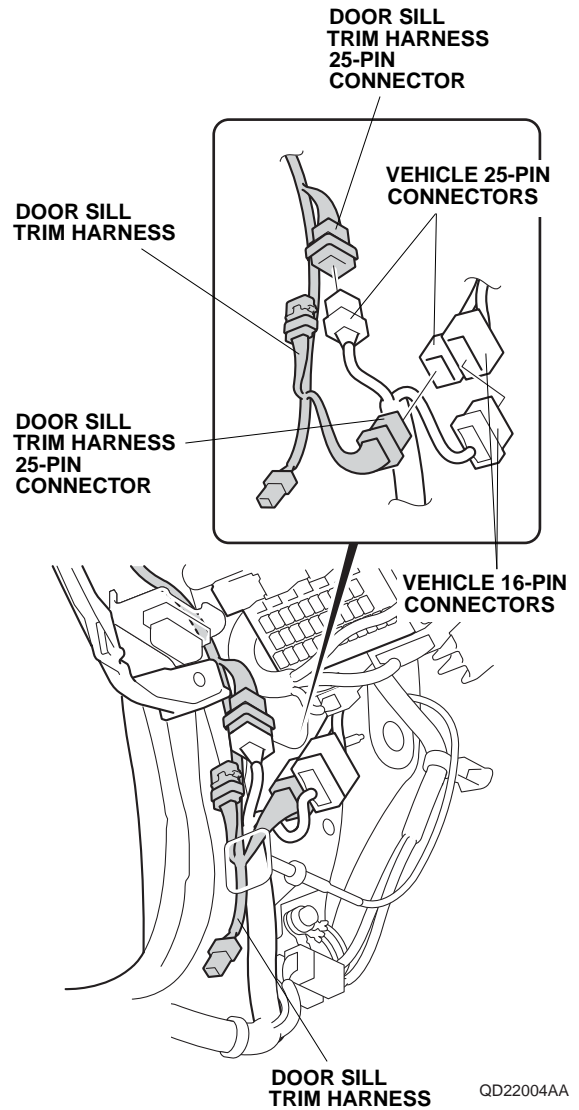
QD22002AA

30. Unplug the vehicle 16-pin connector and 25-pin connector.



QD22003AA

31. Plug the vehicle 25-pin connector into the door sill trim harness 25-pin connector. Plug the door sill trim harness 25-pin connector into the vehicle 25-pin connector.

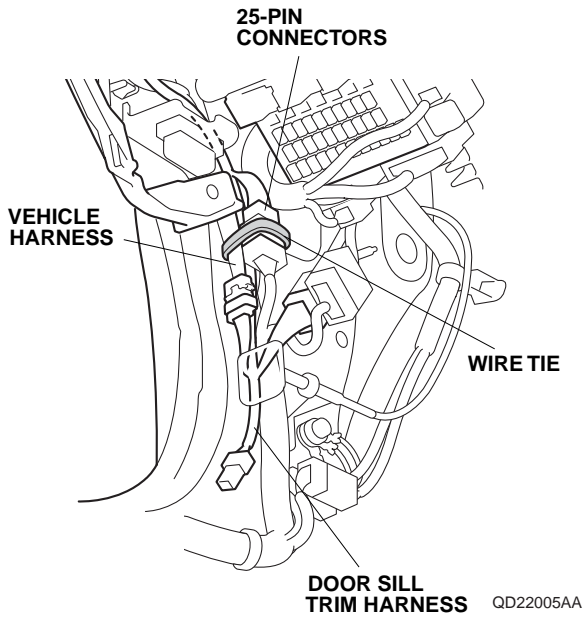


QD22004AA

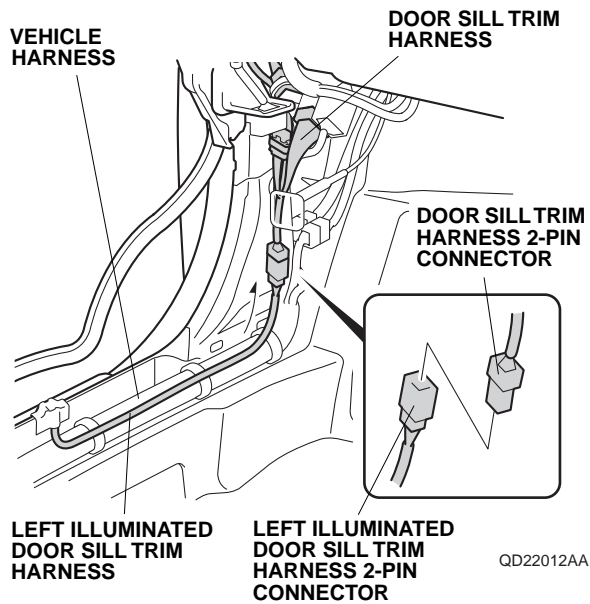
32. Re-plug the vehicle 16-pin connector.



33. Secure the door sill trim harness and 25-pin connectors to the vehicle harness with one wire tie.

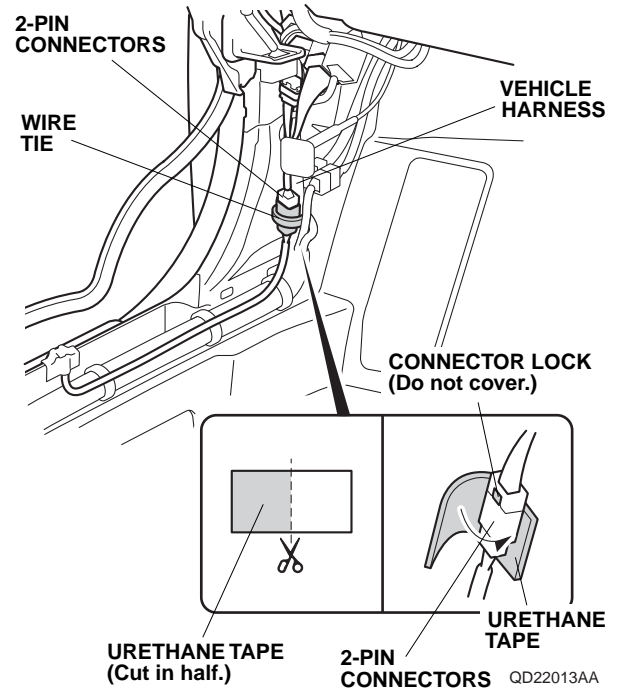


34. Route the left illuminated door sill trim harness along the vehicle harness.



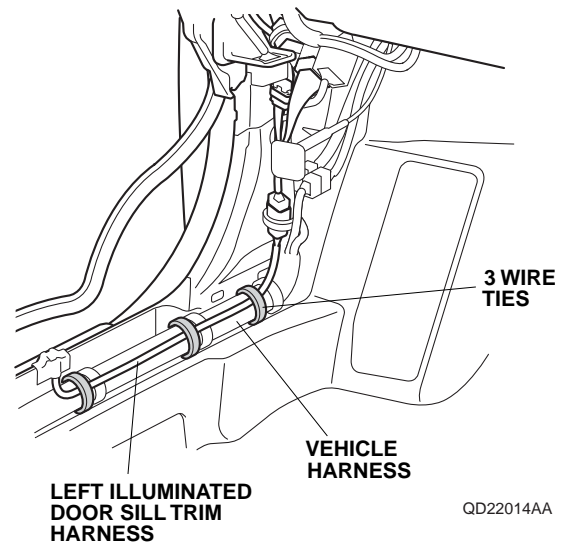
35. Plug the left illuminated door sill trim harness 2-pin connector into the door sill trim harness 2-pin connector.

36. Using scissors, cut one urethane tape in half, and attach one piece of urethane tape around the 2-pin connectors.



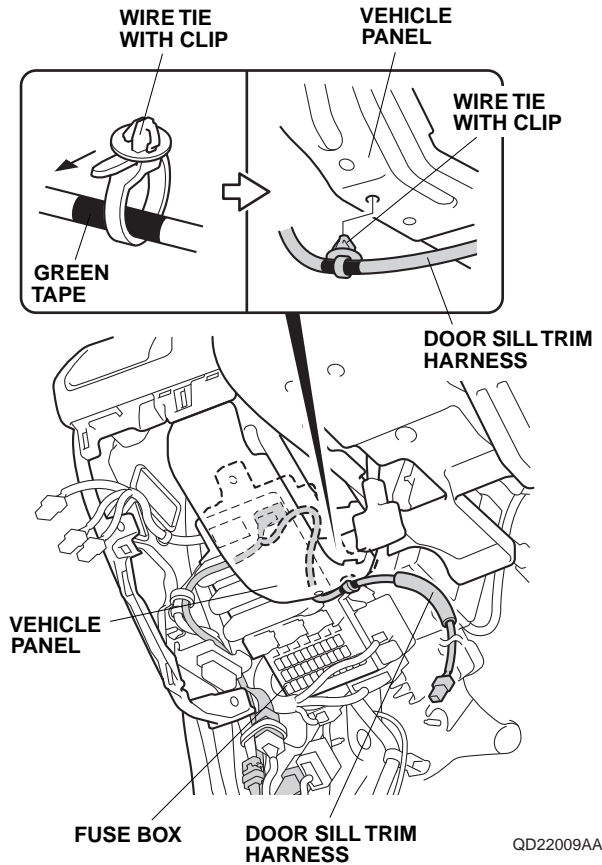
37. Secure the 2-pin connectors to the vehicle harness with one wire tie.

38. Secure the left illuminated door sill trim harness to the vehicle harness with three wire ties.

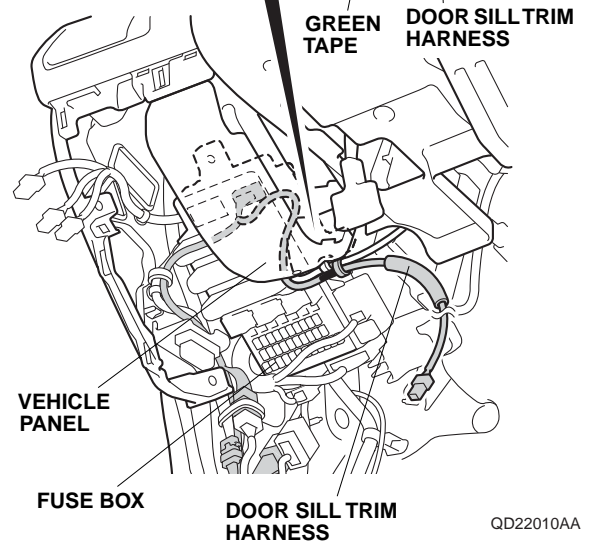
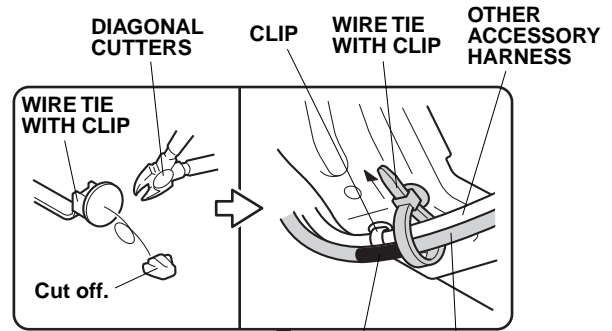


If the vehicle is already equipped with another accessory harness, go to step 40; otherwise, continue with step 39.

39. Attach one wire tie with clip around the green tape on the door sill trim harness, then secure the harness to the hole in the vehicle panel with the clip. Go to step 42.

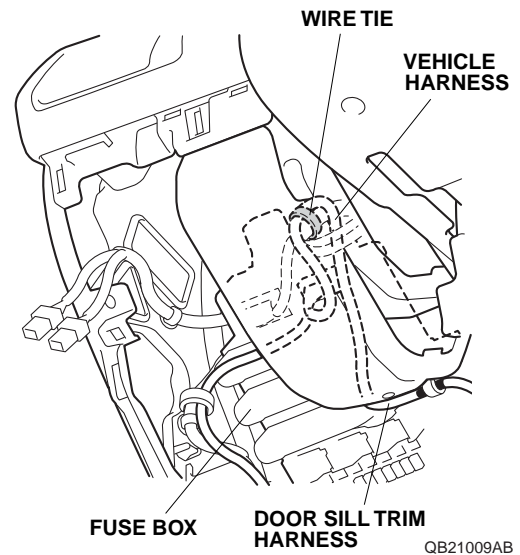


40. Using diagonal cutters, cut the clip portion off of one wire tie.

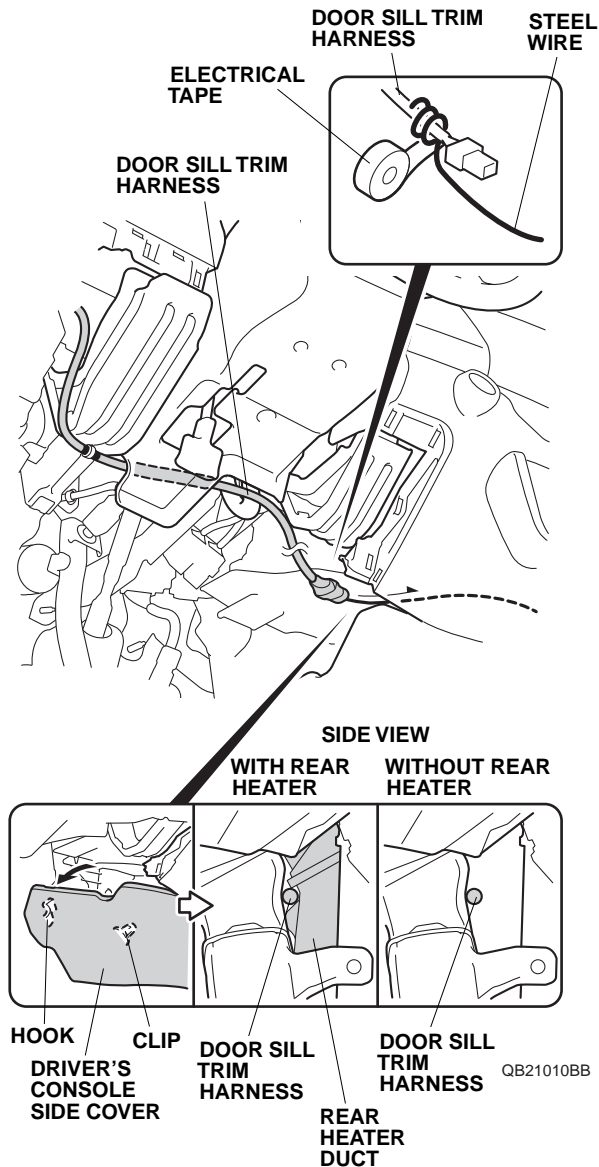


41. Attach the cut wire tie with clip around the green tape on the door sill trim harness, and secure the door sill trim harness to the other accessory harness with one wire tie with clip.

42. Secure the door sill trim harness to the vehicle harness with one additional wire tie.

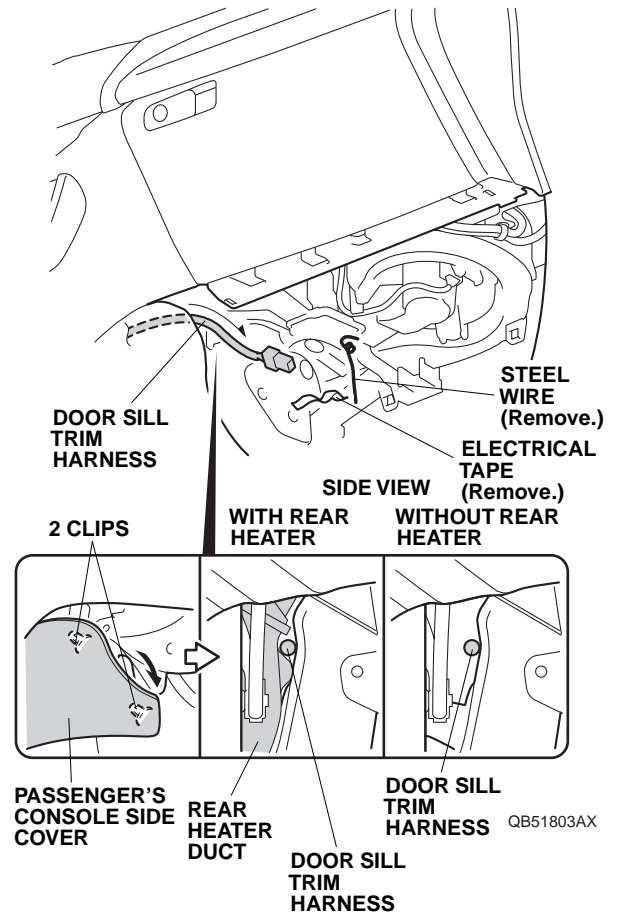


43. Release the driver's console side cover (one hook and one clip).  
NOTE: Do not damage the driver's console side cover.



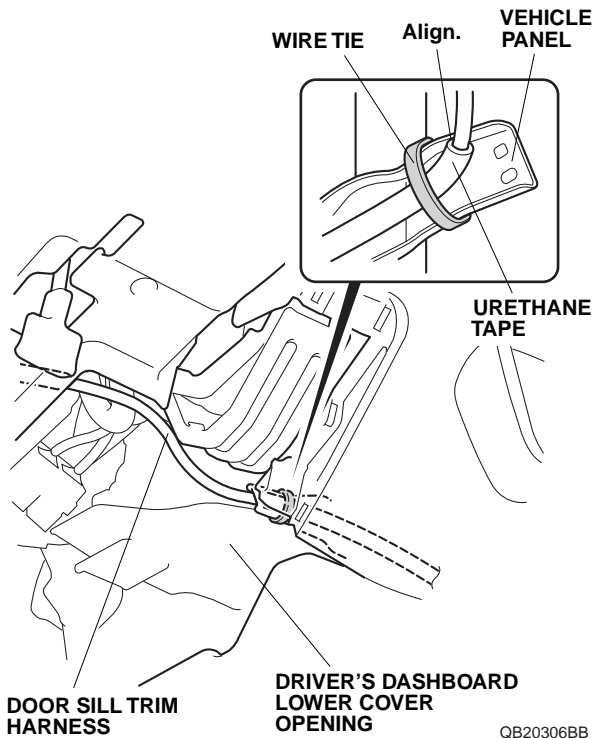
44. Attach a piece of steel wire to the door sill trim harness with electrical tape. Route the door sill trim harness through the center console from the driver's dashboard lower cover opening to the passenger's under cover opening.

45. Release the passenger's console side cover (two clips).  
NOTE: Do not damage the passenger's console side cover.

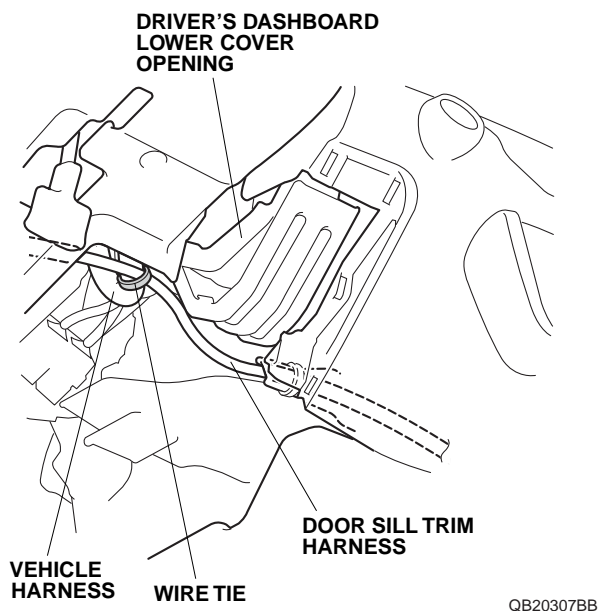


46. Route the door sill trim harness, and remove the electrical tape and steel wire.

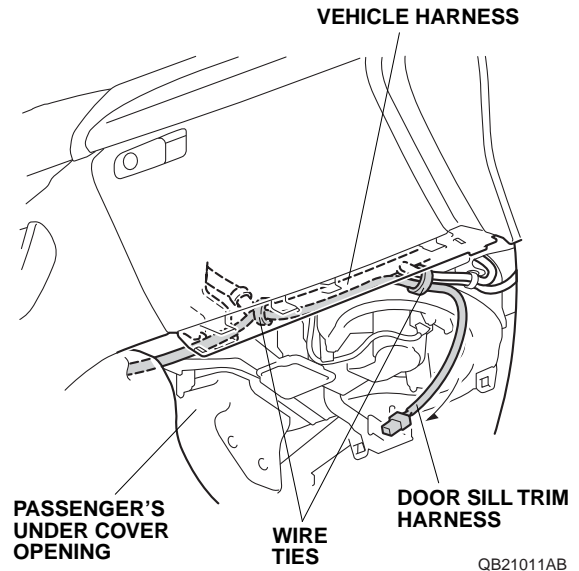
47. Align the edge of the urethane tape on the door sill trim harness with the vehicle panel, and secure the door sill trim harness to the vehicle panel with one wire tie.



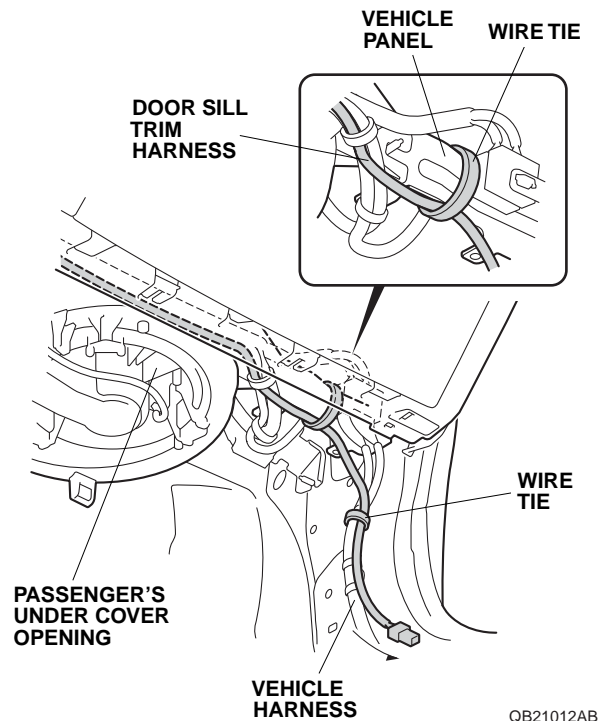
48. Secure the door sill trim harness to the vehicle harness with one wire tie. Move the steering wheel up and down through its full adjustment range and make sure the door sill trim harness is not being stretched.



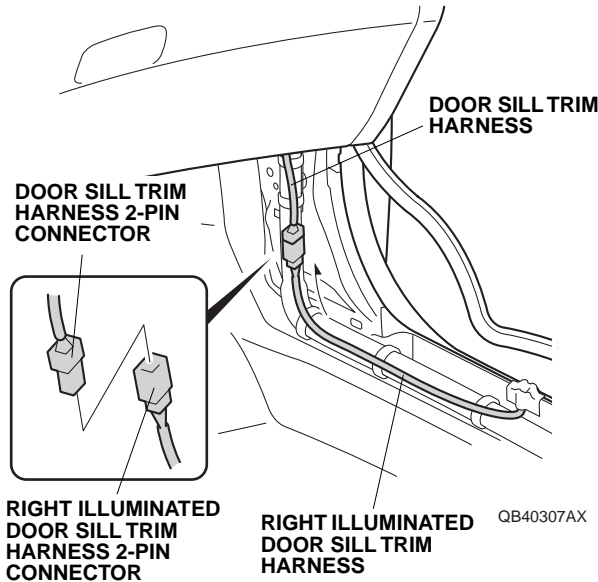
49. On the passenger's side of the vehicle, route the door sill trim harness and secure it to the vehicle harness with two wire ties.



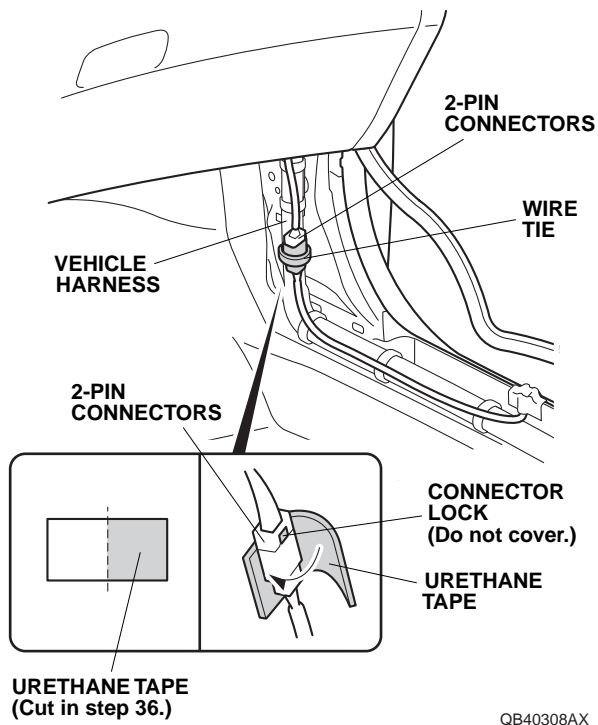
50. Route the door sill trim harness and secure it to the vehicle panel and vehicle harness with two wire ties.



51. Route the right illuminated door sill trim harness along the vehicle harness.

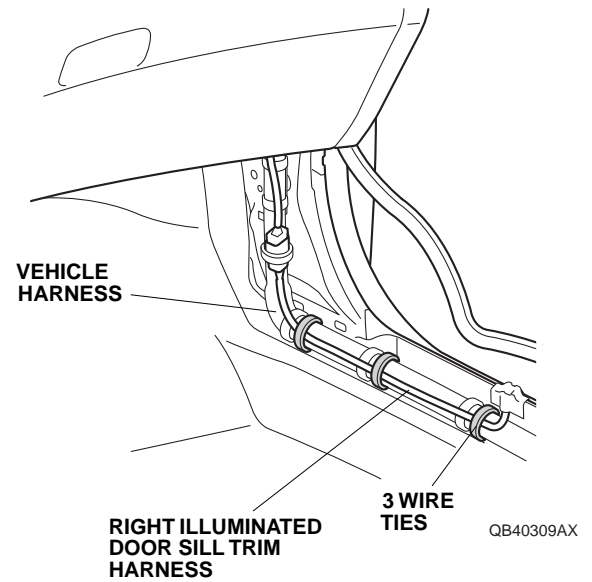


52. Plug the right illuminated door sill trim harness 2-pin connector into the door sill trim harness 2-pin connector.
53. Attach one piece of urethane tape cut in step 36 around the 2-pin connectors.



54. Secure the 2-pin connectors to the vehicle harness with one wire tie.

55. Secure the right illuminated door sill trim harness to the vehicle harness with three wire ties.



56. Check that all wire harnesses are routed properly and all connectors are plugged in.
57. Reinstall all removed parts.
58. Reconnect the negative cable to the battery.
59. Press and hold the radio power button for two seconds to restore the radio and navi (if equipped) system functions.
60. Reset the clock on vehicle without navigation.

### Check the Operation of the Illuminated Door Sill Trims

61. Make sure the light comes on when you open each door.