



INSTALLATION INSTRUCTIONS

Accessory

SPLASH GUARDS
P/N 08P00-TE0-100

Application

2012 ACCORD
2-DOOR

Publications No.

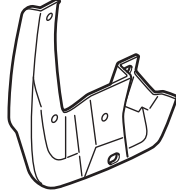
All 46524

Issue Date

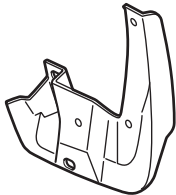
AUG 2011

PARTS LIST

Right front splash guard



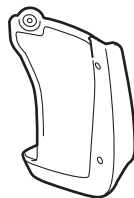
Left front splash guard



Right rear splash guard



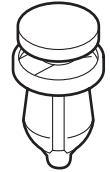
Left rear splash guard



12 Self-tapping screws, 5 x 25 mm



2 Clips



TOOL AND SUPPLIES REQUIRED

Stubby Phillips screwdriver

Pushpin

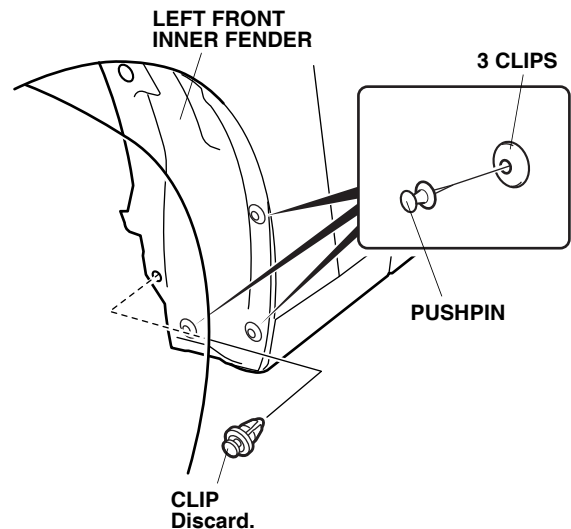
INSTALLATION

NOTE:

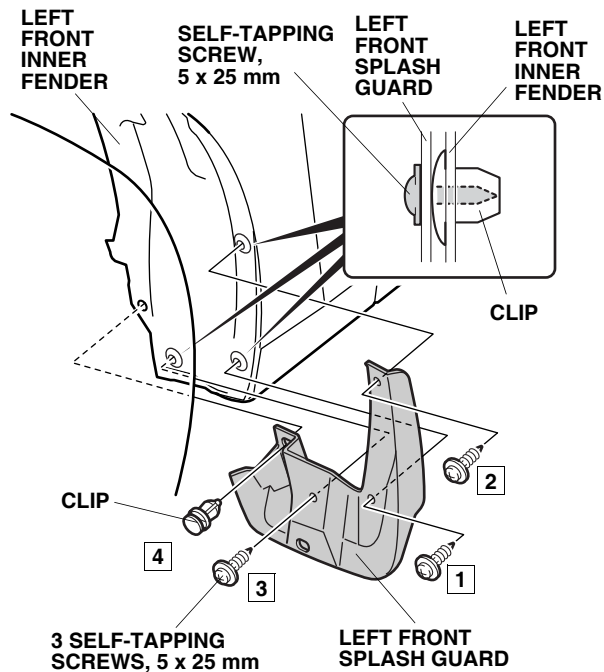
- These instructions show the left splash guards being installed. The same procedure applies to installing the right splash guards.
- The splash guards cannot be installed with the rear or side under spoiler.
- Clean and wax the areas to be covered with a high-quality paste wax.

Installing the Front Splash Guards

1. Turn the steering wheel all the way counterclockwise.
2. Remove the clip from the left front inner fender as shown.
3. Using a pushpin, make small holes through the centers of the three clips.



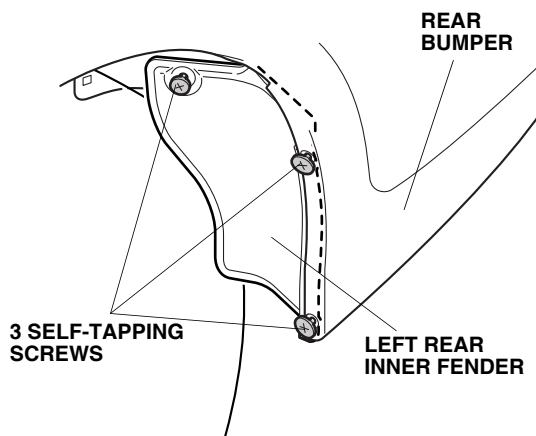
4. Install the left front splash guard using the three 5 x 25 mm self-tapping screws, and one clip. Do not tighten the 5 x 25 mm self-tapping screws yet.



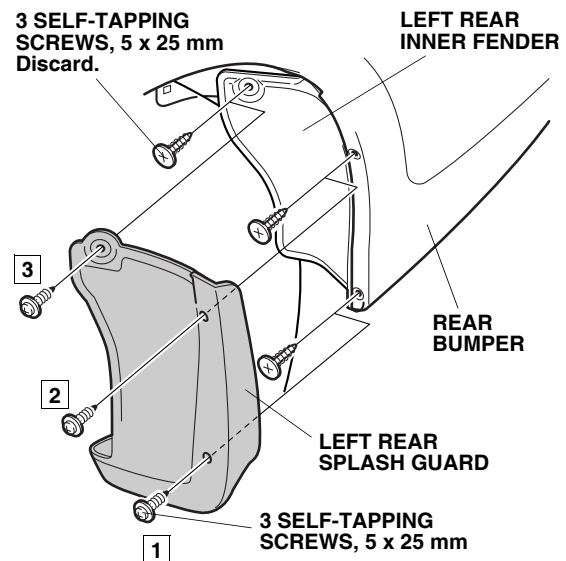
5. While holding the left front splash guard against the left front inner fender, tighten the 5 x 25 mm self-tapping screws in the order shown.
6. Turn the steering wheel all the way clockwise, and repeat steps 2 through 5 to install the right front splash guard.

Installing the Rear Splash Guards

7. Loosen three self-tapping screws in the left rear inner fender as shown.



8. Place the left rear splash guard over the left rear inner fender. Remove the self-tapping screws and install 5 x 25 mm self-tapping screws in the left rear splash guard.



9. While holding the left rear splash guard against the left rear bumper, tighten the 5 x 25 mm self-tapping screws in the order shown.
10. Repeat steps 7 through 9 to install the right rear splash guard.