

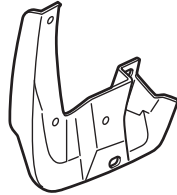


**INSTALLATION  
INSTRUCTIONS**

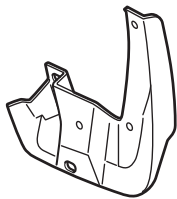
Accessory	Application	Publications No.
SPLASH GUARDS P/N 08P00-TE0-100	2010 ACCORD 2-DOOR	All 42252
		Issue Date AUG 2009

**PARTS LIST**

Right front splash guard



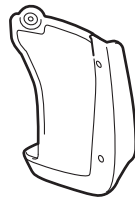
Left front splash guard



Right rear splash guard



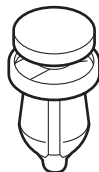
Left rear splash guard



12 Self-tapping screws, 5 x 25 mm



2 Clips



**TOOL AND SUPPLIES REQUIRED**

Stubby Phillips screwdriver

Pushpin

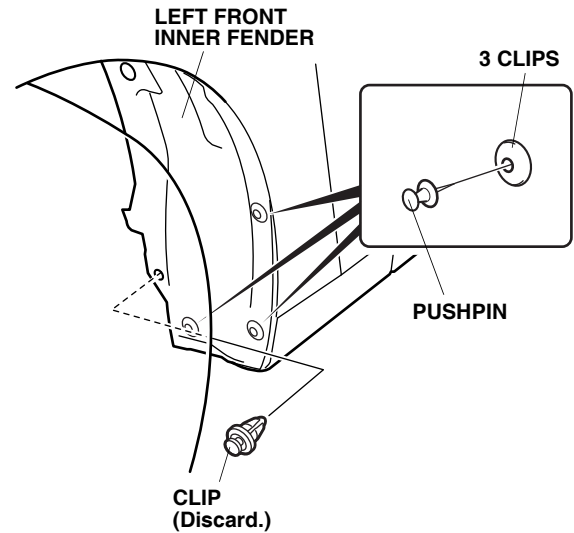
**INSTALLATION**

**NOTE:**

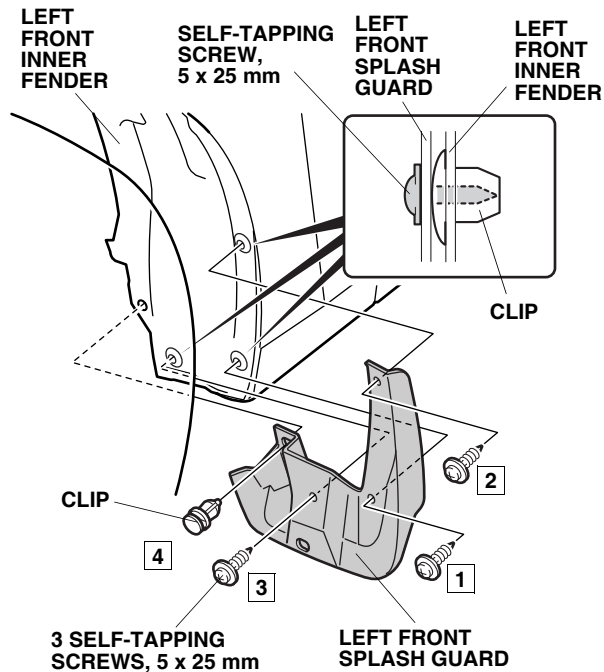
- These instructions show the left splash guard being installed. The same procedure applies to installing the right splash guard.
- The splash guard cannot be installed with the rear or side under spoiler.
- Clean and wax the areas to be covered with a high-quality paste wax.

**Installing the Front Splash Guards**

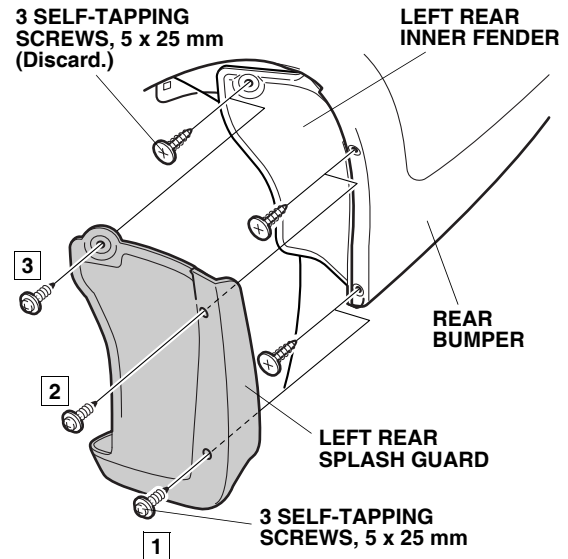
1. Turn the steering wheel all the way counterclockwise.
2. Remove the clip from the left front inner fender as shown.
3. Using a pushpin, make small holes through the center of the three clips.



4. Install the left front splash guard using the three 5 x 25 mm self-tapping screws, and one clip (1 → 2 → 3 → 4). Do not tighten the 5 x 25 mm self-tapping screws yet.
5. While holding the left front splash guard against the left front inner fender, tighten the 5 x 25 mm self-tapping screws in the order shown.
6. Turn the steering wheel all the way clockwise, and repeat steps 2 through 5 to install the right front splash guard.



8. Place the left rear splash guard over the left rear inner fender. Remove the self-tapping screw and install 5 x 25 mm self-tapping screw on three places on the left rear splash guard.
9. While holding the left rear splash guard against the left rear bumper, tighten the 5 x 25 mm self-tapping screws in the order shown (1 → 2 → 3).
10. Repeat steps 7 through 9 to install the right rear splash guard.



### Installing the Rear Splash Guards

7. Loosen three self-tapping screws from the left rear inner fender as shown.

