

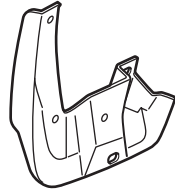


**INSTALLATION
INSTRUCTIONS**

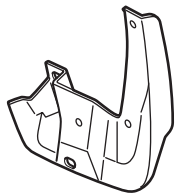
<p>Accessory</p> <p>SPLASH GUARDS P/N 08P00-TE0-100</p>	<p>Application</p> <p>2008 ACCORD 2-DOOR</p>	<p>Publications No.</p> <p>All 37571-38787</p>
		<p>Issue Date</p> <p>FEB 2008</p>

PARTS LIST

Right front splash guard



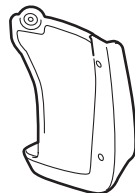
Left front splash guard



Right rear splash guard



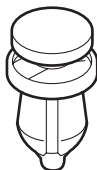
Left rear splash guard



12 Self-tapping screws, 5 x 25 mm



2 Clips



TOOL AND SUPPLIES REQUIRED

Stubby Phillips screwdriver

Pushpin

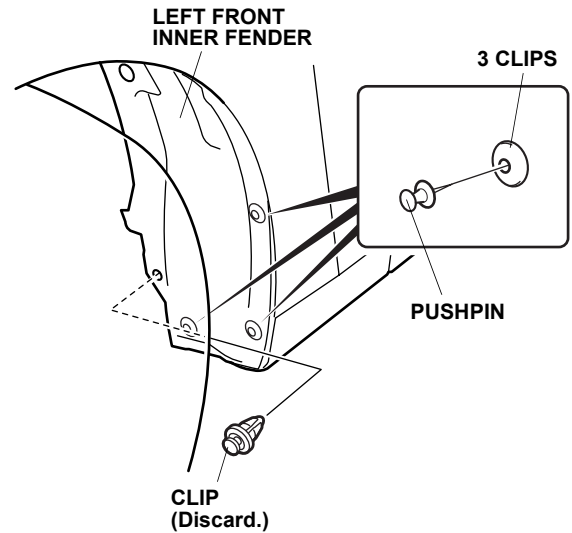
INSTALLATION

NOTE:

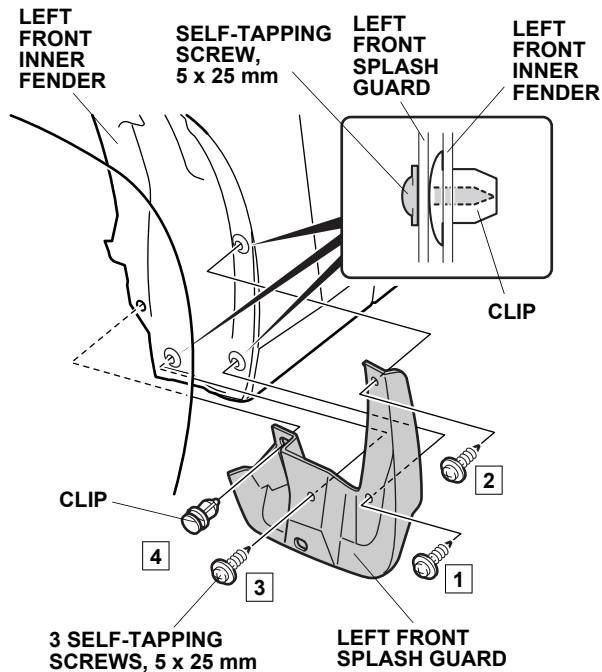
- These instructions show the left splash guard being installed. The same procedure applies to installing the right splash guard.
- The splash guard cannot be installed with the rear or side under spoiler.
- Clean and wax the areas to be covered with a high-quality paste wax.

Installing the Front Splash Guards

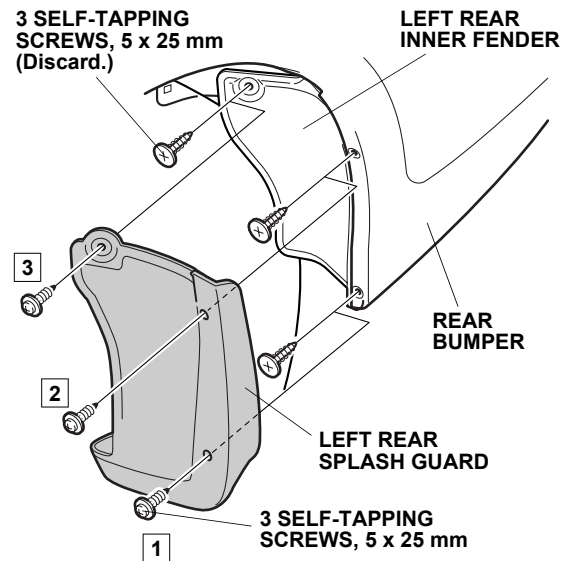
1. Turn the steering wheel all the way counterclockwise.
2. Remove the clip from the left front inner fender as shown.
3. Using a pushpin, make small holes through the center of the three clips.



4. Install the left front splash guard using the three 5 x 25 mm self-tapping screws and one clip. Do not tighten the 5 x 25 mm self-tapping screws yet.
5. While holding the left front splash guard against the left front inner fender, tighten the 5 x 25 mm self-tapping screws in the order shown **1** → **2** → **3** → **4**.
6. Turn the steering wheel all the way clockwise, and repeat steps 2 thru 5 to install the right front splash guard.



8. Place the left rear splash guard over the left rear inner fender. Remove the self-tapping screw and install 5 x 25 mm self-tapping screws on three places on the left rear splash guard.
9. While holding the left rear splash guard against the left rear bumper, tighten the 5 x 25 mm self-tapping screws in the order shown (**1** → **2** → **3**).
10. Repeat steps 7 thru 9 to install the right rear splash guard.



Installing the Rear Splash Guards

7. Loosen three self-tapping screws from the left rear inner fender as shown.

