

Germain Honda of College Hills



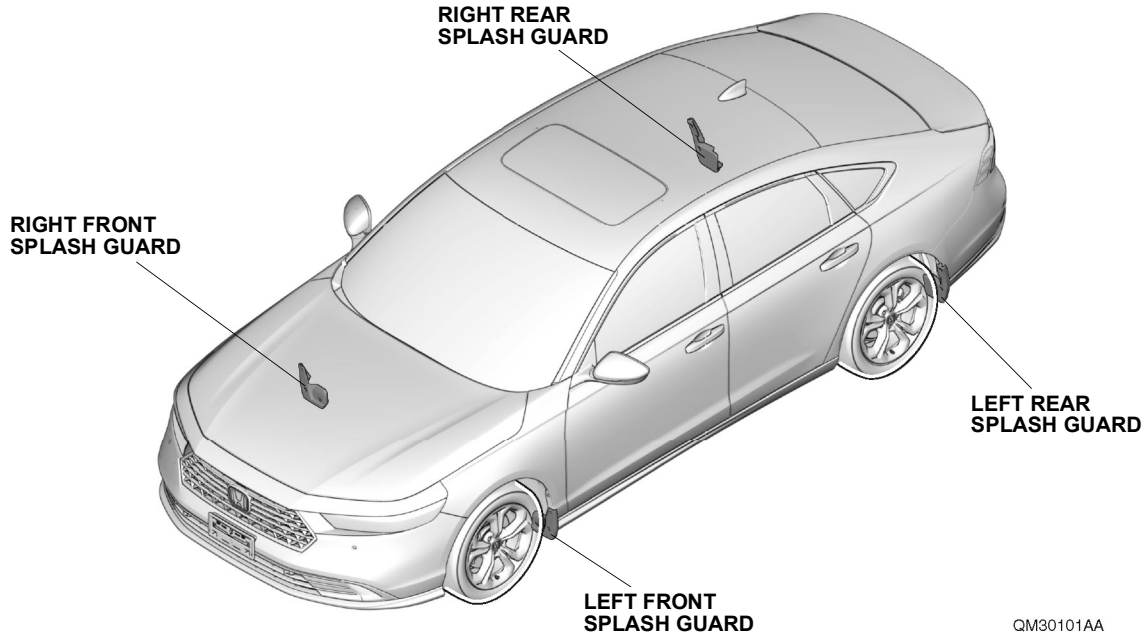
INSTALLATION INSTRUCTIONS

Accessory
SPLASH GUARDS

Application
**2023 ACCORD
MODEL SERIES**

Publications No.
VERSION 1
Issue Date
DEC 2022

GENERAL VIEW



FOR YOUR SAFETY (Read carefully.)

Warning Symbols

Safety: Your safety, and the safety of others, is important. To help you make informed decisions about service procedures, we have provided safety messages where appropriate. Of course, it is not practical or possible to warn you about all the hazards associated with servicing a vehicle - you must use your own good judgment.

You will find important safety messages preceded by one of the following symbols:

*All symbols are not used in all installation instructions.

⚠ DANGER

You will be killed or seriously hurt if you do not follow the instructions.

⚠ WARNING

You can be killed or seriously hurt if you do not follow the instructions.

⚠ CAUTION

You can be hurt if you do not follow the instructions.

NOTICE

Gives advice to prevent damage to the product, vehicle, the environment or other property.

NOTE

Gives helpful information or instructions to be followed when installing this product.



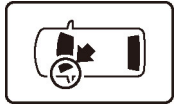
Indicates a prohibited action.

Germain Honda of College Hills

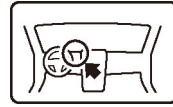
Procedure and Location Icons

These icons indicate the work location and the worker's point of view.

*All icons are not used in all installation instructions.



The location on the vehicle.



The location in the vehicle.
(Instrument panel.)



Wear eye protection.



Wear heavy gloves.



Use an assistant.



Place the part on a blanket.



Work perpendicular.



Remove any burrs.



Use touch-up paint and allow to dry.



Tighten to the specified torque.



Apply firm pressure while rolling, especially at the ends, to set the adhesive.



Press firmly.



Clean with isopropyl alcohol.



Return the original part to the customer.
(Do not reuse.)

Safety: General

- Observe all safety notes and precautions described in the service information, in addition to those described in this Installation Instruction. Be extremely careful for your safety and safety of others.
- Be careful not to damage the vehicle or the parts.
- Note the locations of the parts before removing them so they can be properly installed in their original positions.
- The illustrations may differ slightly from the actual accessory.

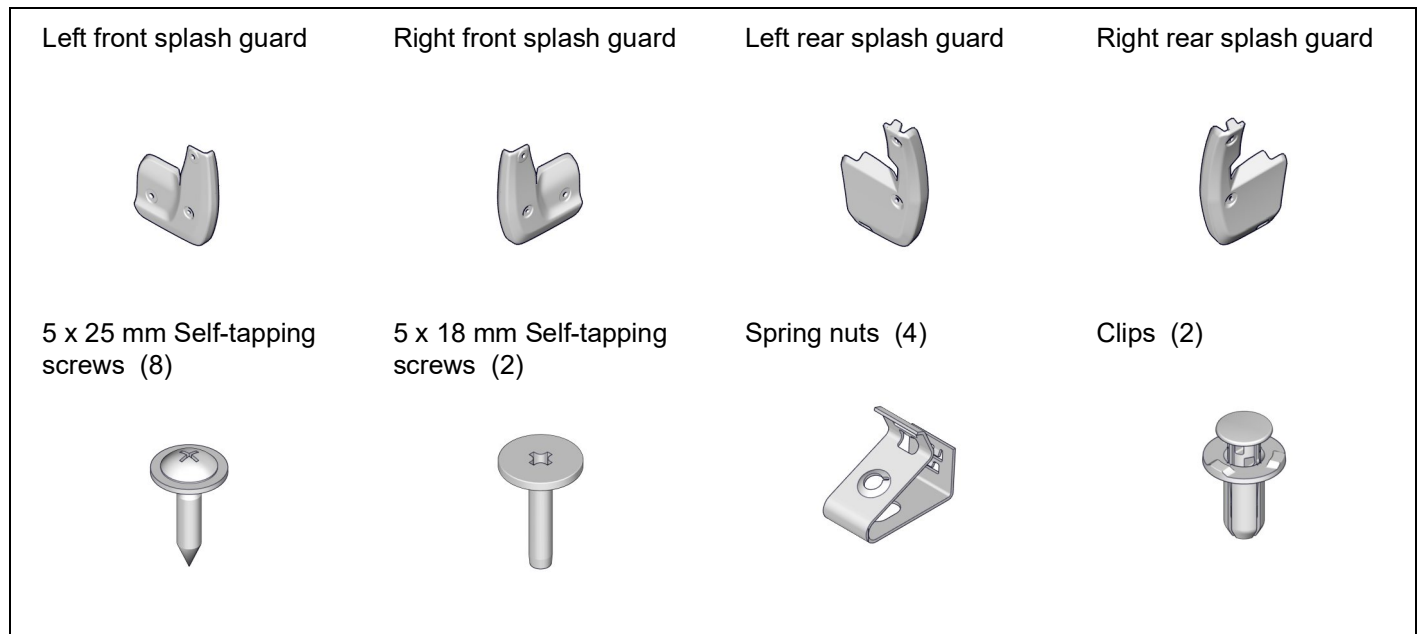
Safety: Accessory

Always use the parts and tools specified in the installation instructions.

Germain Honda of College Hills

PARTS LIST

Splash Guards Kit (P/N 08P00-30A-100)



REQUIRED TOOLS AND SUPPLIES

- Phillips screwdriver
- Stubby Phillips screwdriver
- Pushpin
- Ruler
- Utility knife
- Pliers

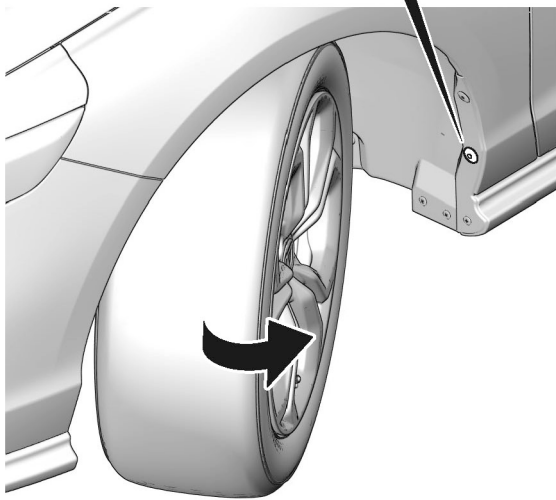
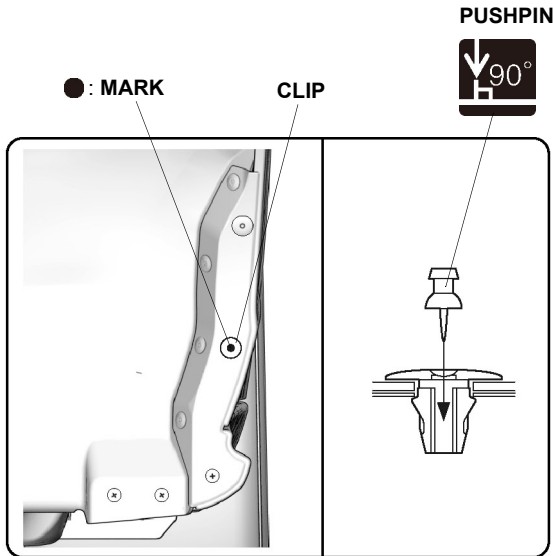
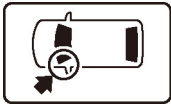
The following tools are available through the Honda Tool and Equipment Program:

- Trim Tool Set (T/N SOJATP2014)
- Plastic Trim Tool (T/N SILTRIMTL10)

Germain Honda of College Hills

INSTALLATION

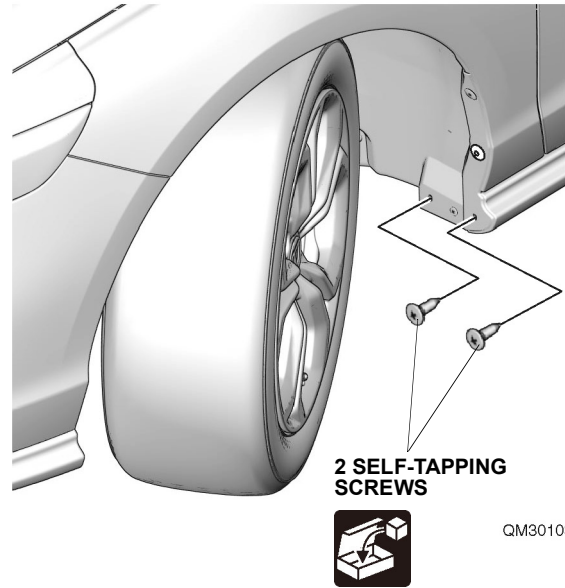
1. Turn the steering wheel fully counterclockwise.



QM30102AA

2. Pierce the clip.

3. Remove the self-tapping screws.



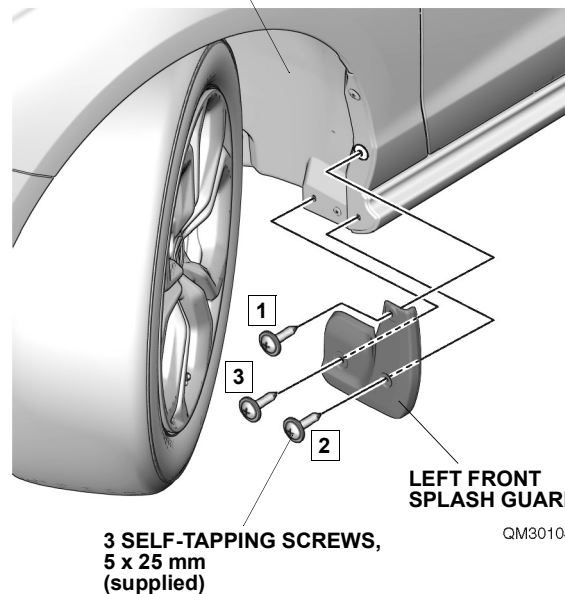
QM30103AA

4. Install the left front splash guard.

NOTE

- Install in the order shown.
- Make sure that there is no gap between the splash guard and vehicle body. If there is a gap, loosen the self-tapping screws, hold the splash guard against the vehicle body, and retighten the screws.
- Make sure that the splash guard is properly installed.

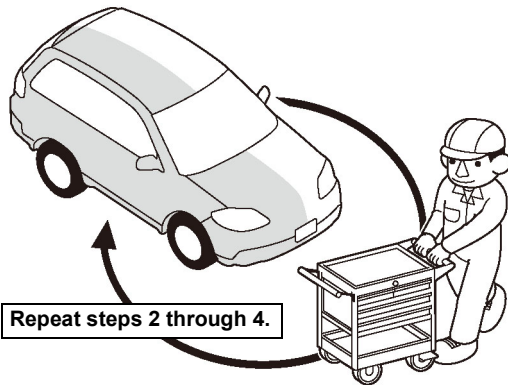
LEFT FRONT INNER FENDER



QM30104AA

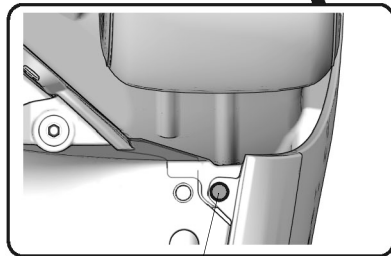
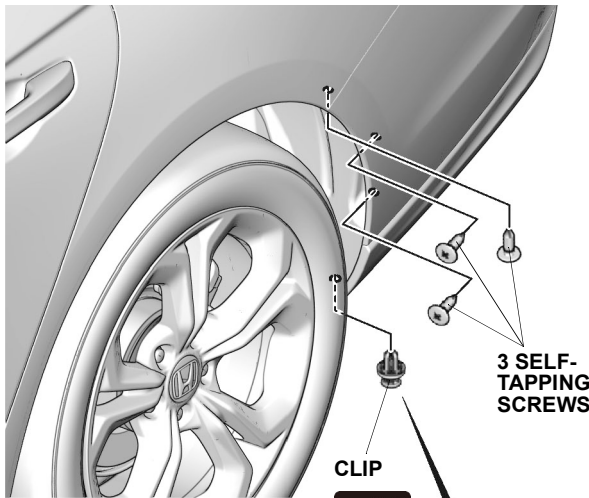
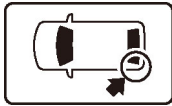
Germain Honda of College Hills

5. Turn the steering wheel fully clockwise, and repeat the same procedures on the other side.



Q9D1012AE

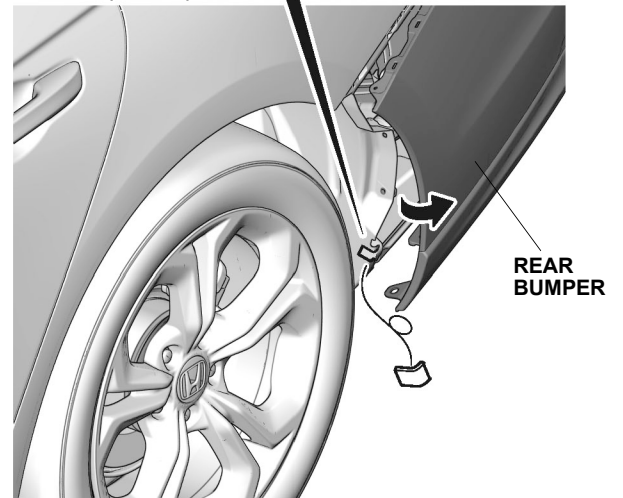
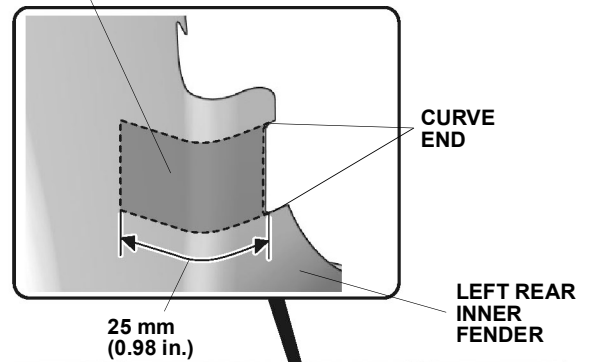
6. Remove the self-tapping screws and clip.



QM30105AA

7. Pull away the rear bumper.

CUTTING AREA



QM30106AA

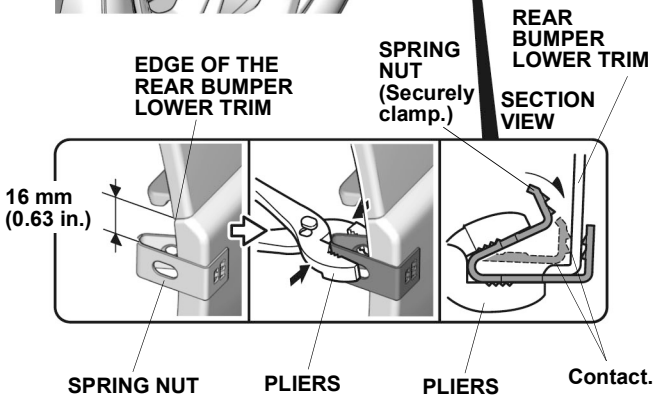
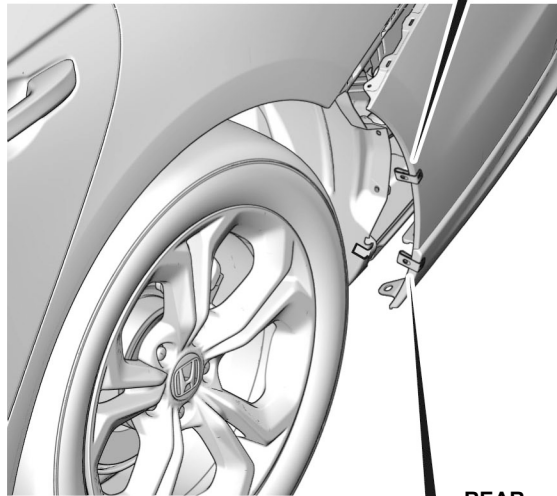
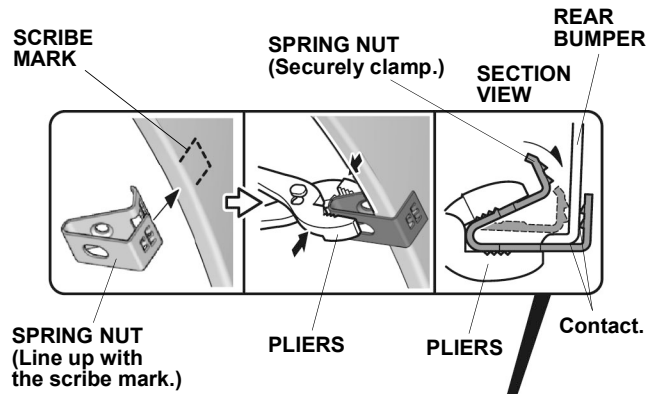
8. Cut the left rear inner fender.

Germain Honda of College Hills

9. Install the spring nuts.

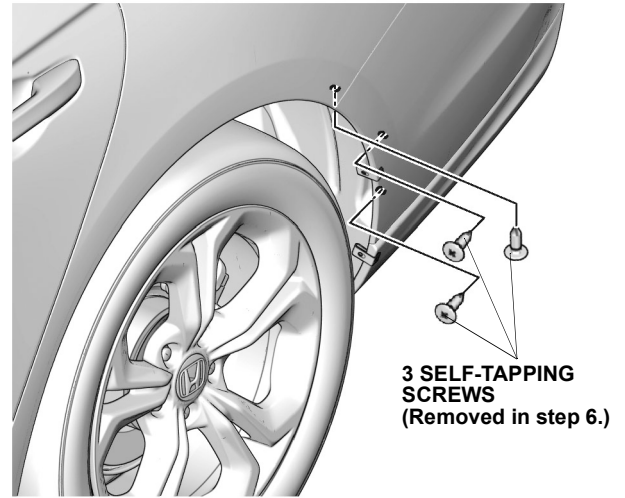
NOTICE

- Make sure to install the spring nut in the correct orientation.
- Make sure the spring nuts are securely clamped to the rear bumper.



QM30201 CA

10. Install the rear bumper.



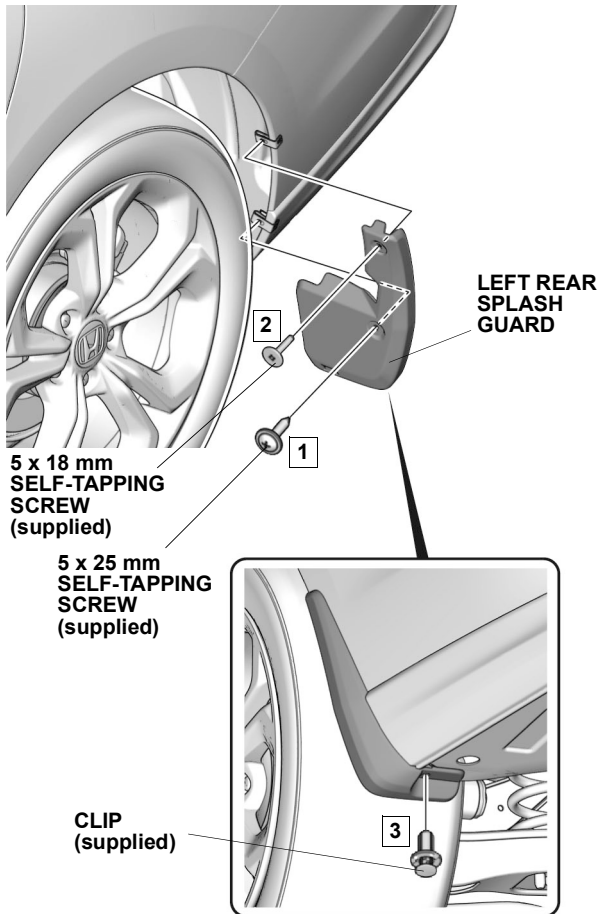
QM92103BG

Germain Honda of College Hills

11. Install the left rear splash guard.

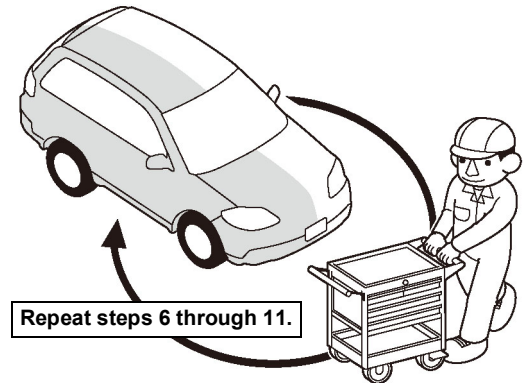
NOTE

- Install in the order shown.
- Make sure that there is no gap between the splash guard and vehicle body. If there is a gap, loosen the self-tapping screws, hold the splash guard against the vehicle body, and retighten the screws.
- Make sure that the splash guard is properly installed.



QM30202AA

12. Repeat the same procedures on the other side.



Q9D1012AE

13. Check that all parts are installed properly.