

Germain Honda of College Hills



INSTALLATION INSTRUCTIONS

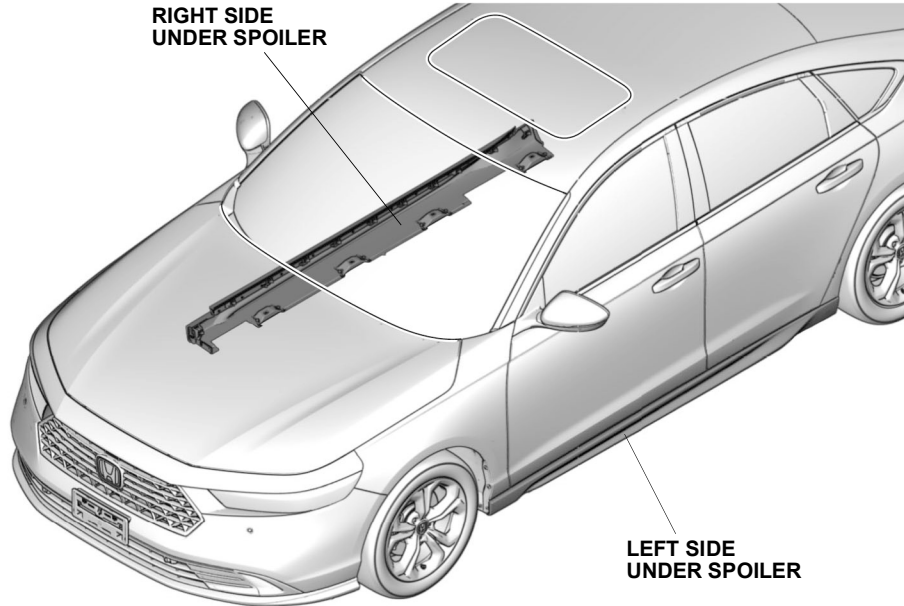
Accessory
SIDE UNDER SPOILERS

Application
**2023 ACCORD
MODEL SERIES**

Publications No.
VERSION 1

Issue Date
DEC 2022

GENERAL VIEW



QM31101AA

FOR YOUR SAFETY (Read carefully.)

Warning Symbols

Safety: Your safety, and the safety of others, is important. To help you make informed decisions about service procedures, we have provided safety messages where appropriate. Of course, it is not practical or possible to warn you about all the hazards associated with servicing a vehicle - you must use your own good judgment.

You will find important safety messages preceded by one of the following symbols:

*All symbols are not used in all installation instructions.

 **DANGER**

You will be killed or seriously hurt if you do not follow the instructions.

 **WARNING**

You can be killed or seriously hurt if you do not follow the instructions.

 **CAUTION**

You can be hurt if you do not follow the instructions.

NOTICE

Gives advice to prevent damage to the product, vehicle, the environment or other property.

NOTE

Gives helpful information or instructions to be followed when installing this product.



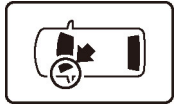
Indicates a prohibited action.

Germain Honda of College Hills

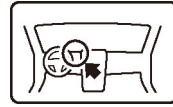
Procedure and Location Icons

These icons indicate the work location and the worker's point of view.

*All icons are not used in all installation instructions.



The location on the vehicle.



The location in the vehicle.
(Instrument panel.)



Wear eye protection.



Wear heavy gloves.



Use an assistant.



Place the part on a blanket.



Work perpendicular.



Remove any burrs.



Use touch-up paint and allow to dry.



Tighten to the specified torque.



Apply firm pressure while rolling, especially at the ends, to set the adhesive.



Press firmly.



Clean with isopropyl alcohol.



Return the original part to the customer.
(Do not reuse.)

Safety: General

- Observe all safety notes and precautions described in the service information, in addition to those described in this Installation Instruction. Be extremely careful for your safety and safety of others.
- Be careful not to damage the vehicle or the parts.
- Be extremely careful when handling retaining tabs and clips.
- Note the locations of the parts before removing them so they can be properly installed in their original positions.
- The illustrations may differ slightly from the actual accessory.

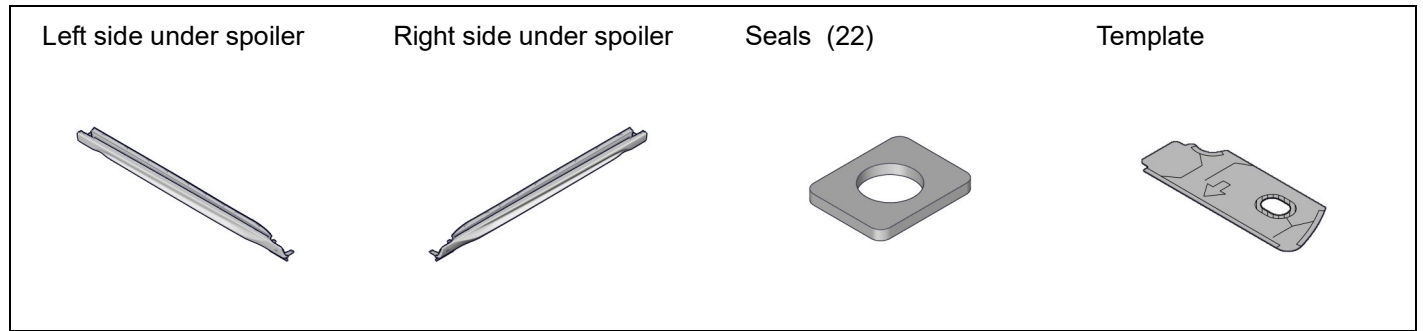
Safety: Accessory

Always use the parts and tools specified in the installation instructions.

Germain Honda of College Hills

PARTS LIST

Side Under Spoilers Kit (P/N 08F04-30A-100)



REQUIRED TOOLS AND SUPPLIES

- Phillips screwdriver
- Masking tape
- Stubby Phillips screwdriver
- Utility knife
- Felt-tip pen
- Ruler
- Blanket
- Rubber mallet
- Tape measure

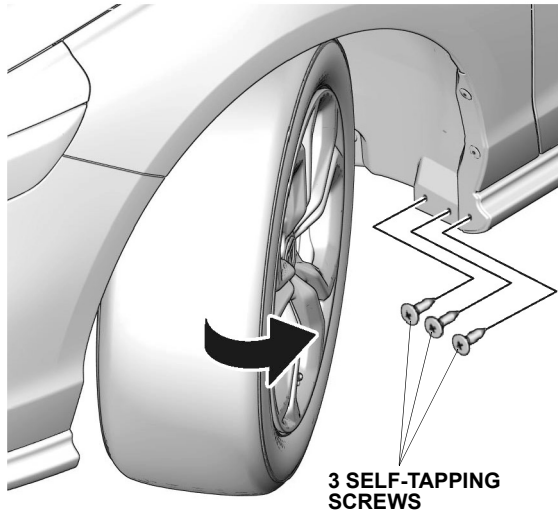
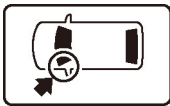
The following tools are available through the Honda Tool and Equipment Program:

- Trim Tool Set (T/N SOJATP2014)
- Plastic Trim Tool (T/N SILTRIMTL10)

Germain Honda of College Hills

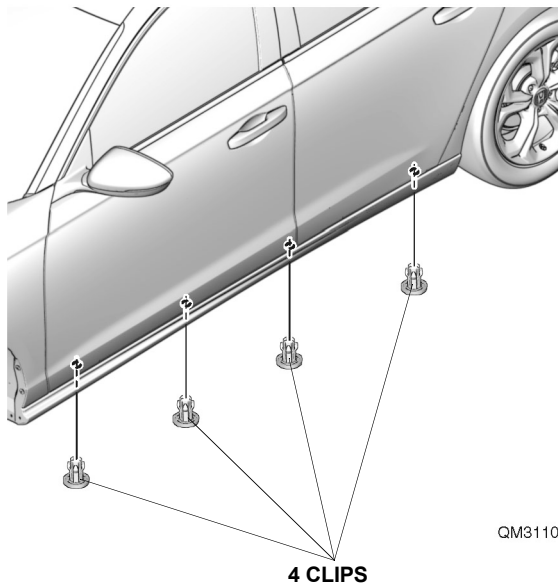
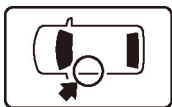
INSTALLATION

1. Turn the steering wheel fully counterclockwise.



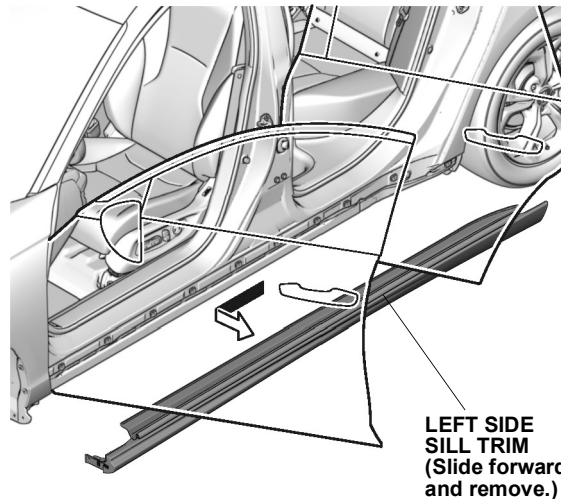
QM31102AA

2. Remove the self-tapping screws.
3. Remove the clips.



QM31103AA

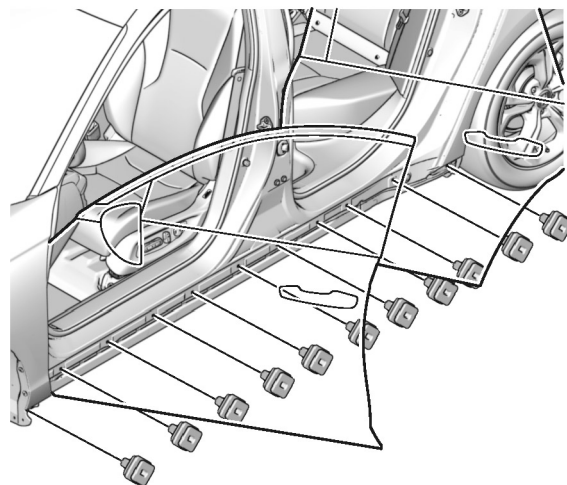
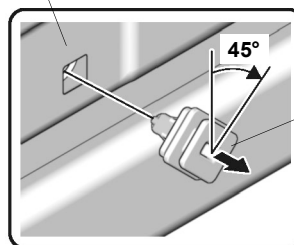
4. Open the left front and left rear doors.
5. Remove the left side sill trim.



QM31104AA

6. Remove the clips.

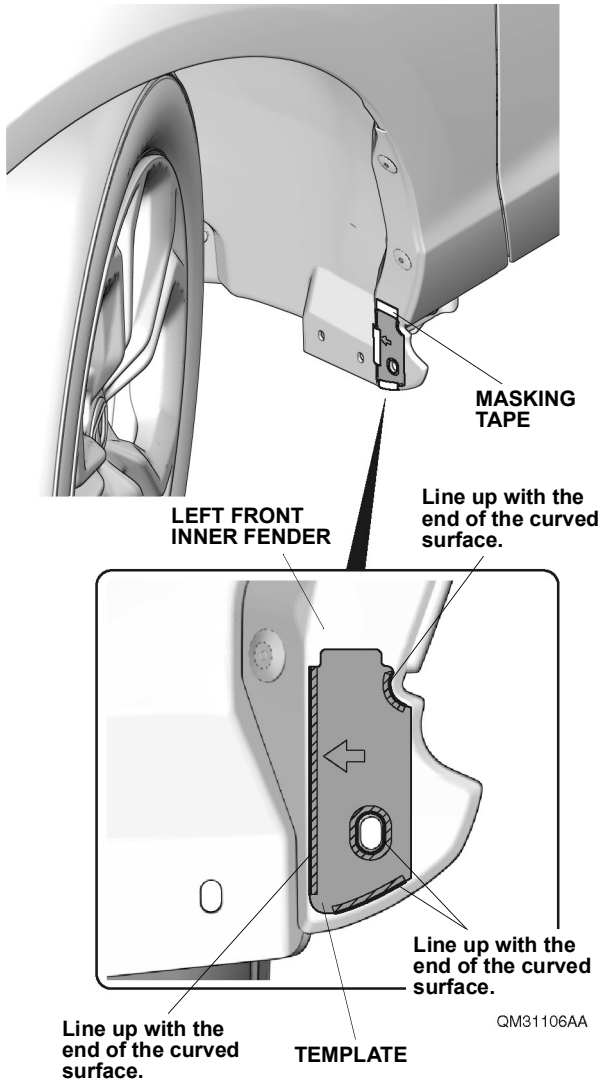
VEHICLE PANEL



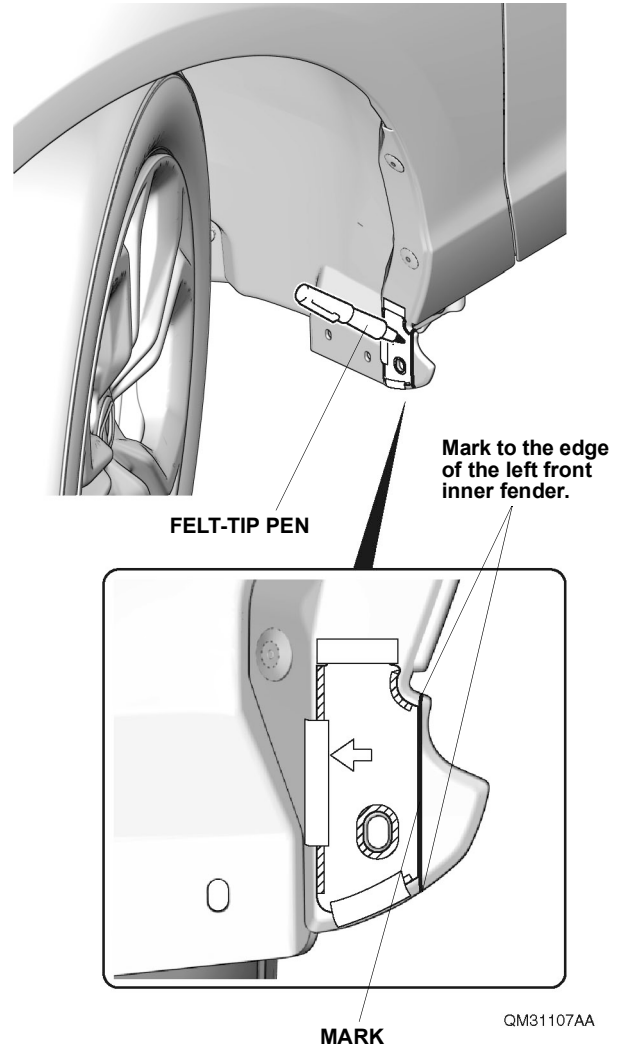
QM31105AA

Germain Honda of College Hills

7. Secure the template.



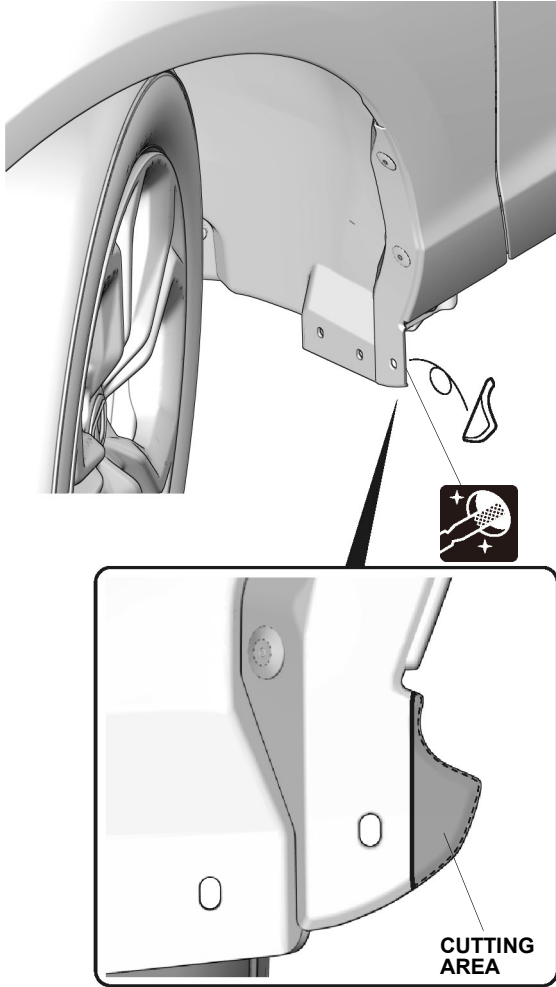
8. Mark the left front inner fender.



9. Remove the template.

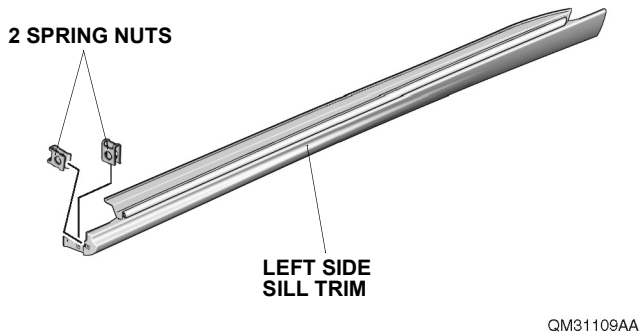
Germain Honda of College Hills

10. Cut off the left front inner fender.



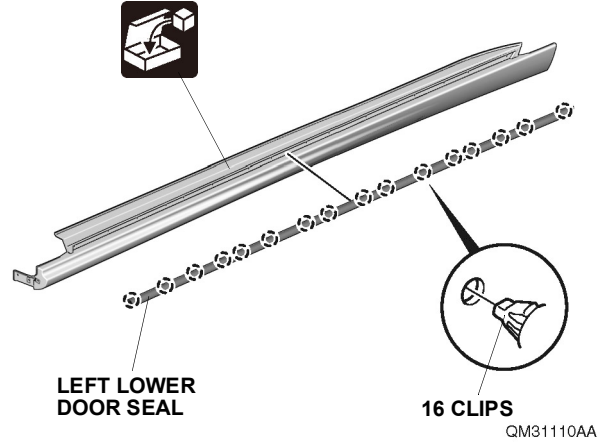
QM31108AA

11. Remove the spring nuts.

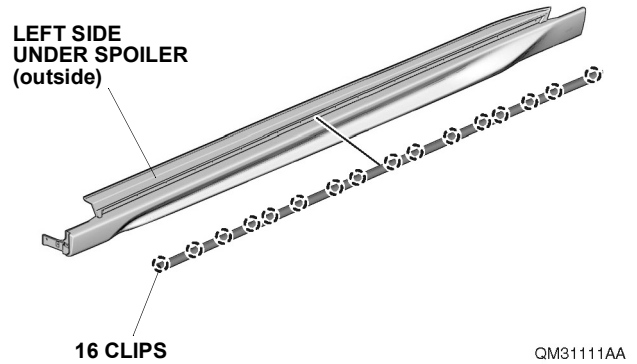


QM31109AA

12. Remove the left lower door seal.



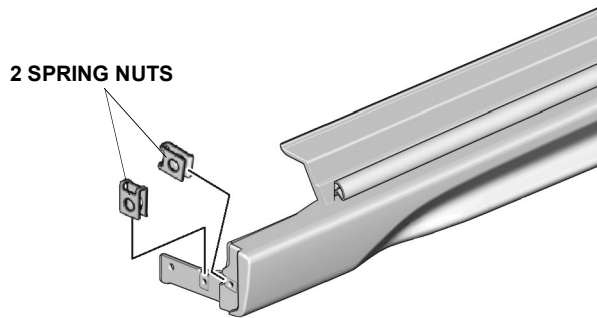
13. Install the left lower door seal.



14. Install the spring nuts.

NOTE

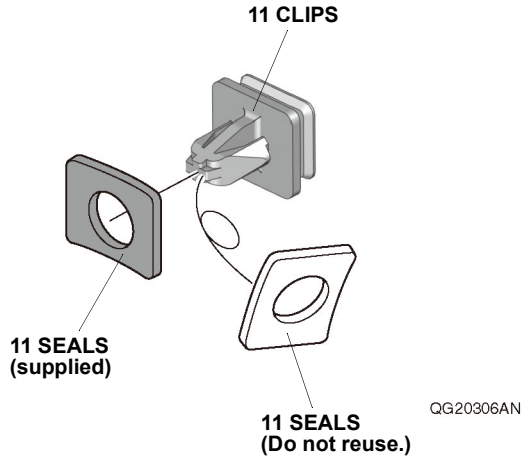
Make sure to install the spring nuts in the correct orientation.



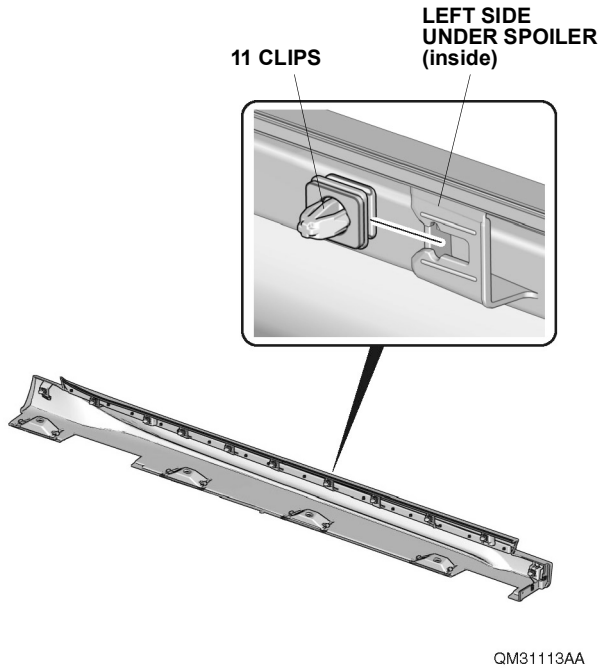
QM31112AA

Germain Honda of College Hills

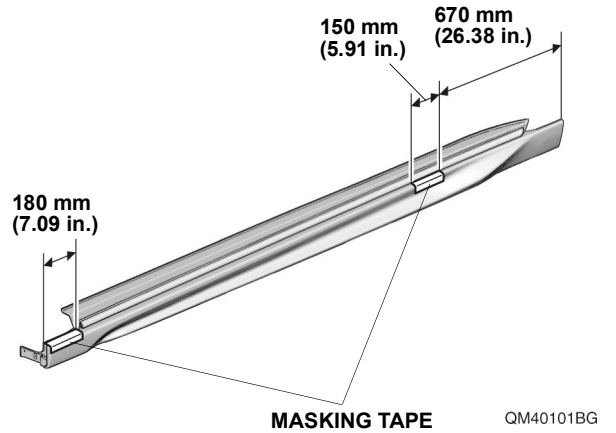
15. Replace the seals.



16. Install the clips.

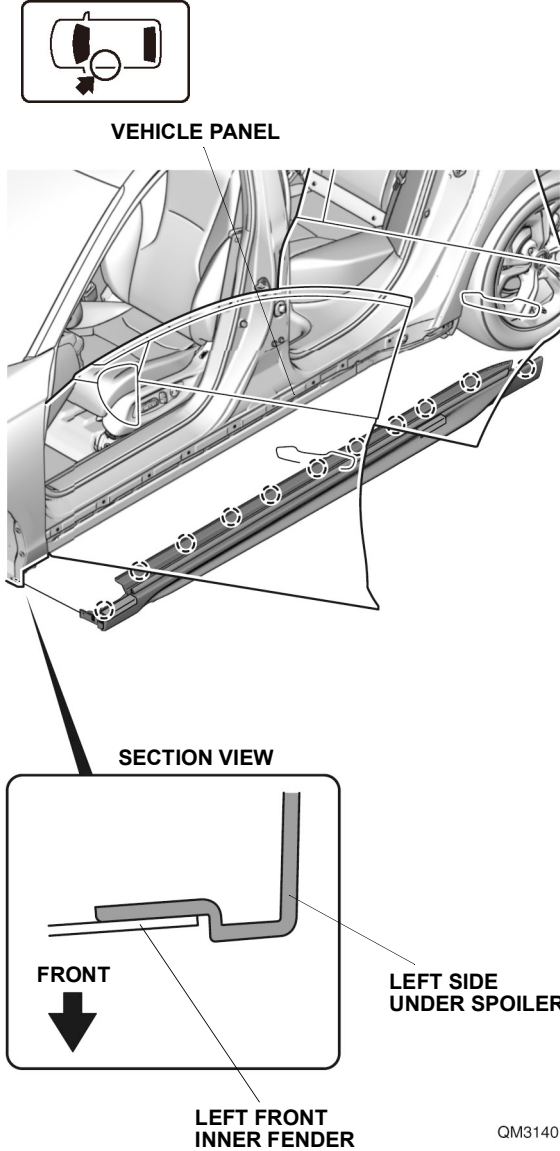


17. Attach masking tape to protect the left side under spoiler.



Germain Honda of College Hills

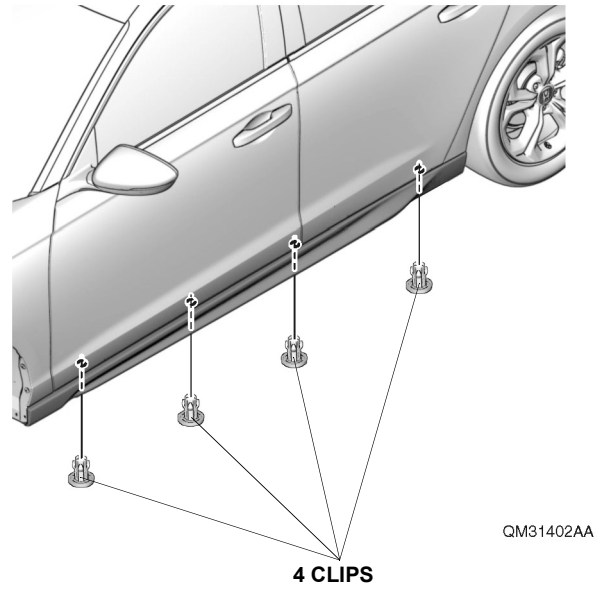
18. Install the left side under spoiler.



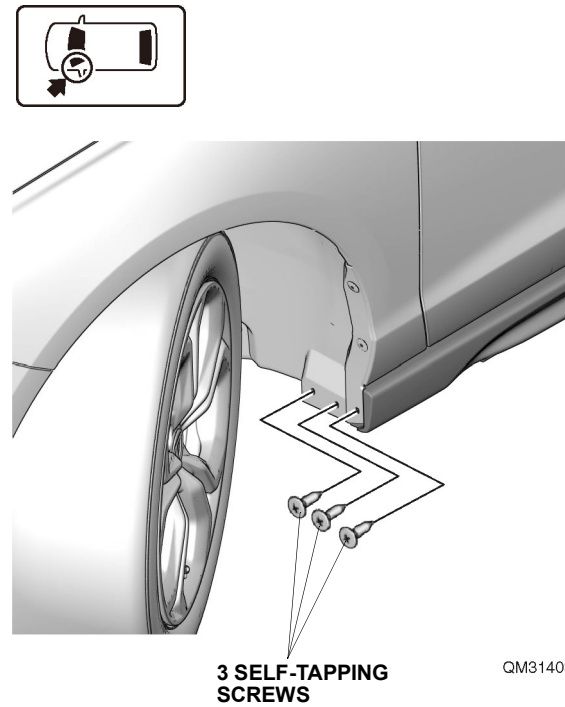
19. Remove the masking tape.

20. Close the left front and left rear doors.

21. Secure the left side under spoiler.

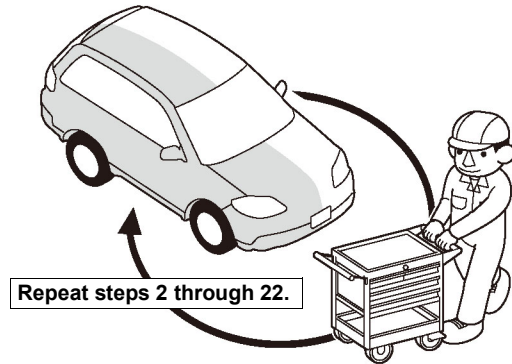


22. Secure the left side under spoiler.



Germain Honda of College Hills

23. Flip the template, turn the steering wheel fully clockwise, and repeat the same procedures on the other side.



Q9D1014AM

24. Check that all parts are installed properly.