

Germain Honda of College Hills



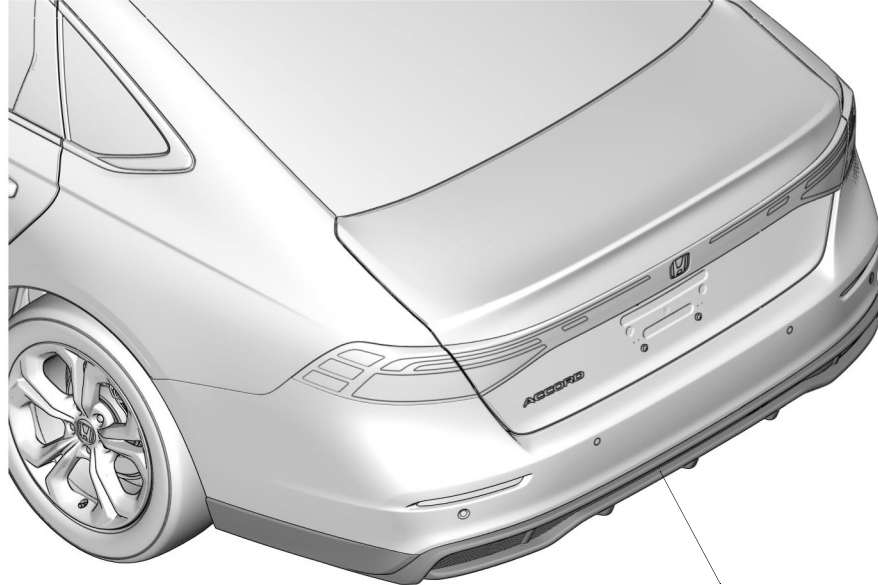
INSTALLATION INSTRUCTIONS

Accessory
REAR AERO BUMPER

Application
2023 ACCORD
MODEL SERIES

Publications No.
VERSION 1
Issue Date
DEC 2022

GENERAL VIEW



REAR AERO BUMPER

QM30901AG

FOR YOUR SAFETY (Read carefully.)

Warning Symbols

Safety: Your safety, and the safety of others, is important. To help you make informed decisions about service procedures, we have provided safety messages where appropriate. Of course, it is not practical or possible to warn you about all the hazards associated with servicing a vehicle - you must use your own good judgment.

You will find important safety messages preceded by one of the following symbols:

*All symbols are not used in all installation instructions.

⚠ DANGER

You will be killed or seriously hurt if you do not follow the instructions.

⚠ WARNING

You can be killed or seriously hurt if you do not follow the instructions.

⚠ CAUTION

You can be hurt if you do not follow the instructions.

NOTICE

Gives advice to prevent damage to the product, vehicle, the environment or other property.

NOTE

Gives helpful information or instructions to be followed when installing this product.



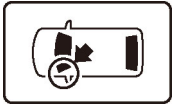
Indicates a prohibited action.

Germain Honda of College Hills

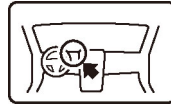
Procedure and Location Icons

These icons indicate the work location and the worker's point of view.

*All icons are not used in all installation instructions.



The location on the vehicle.



The location in the vehicle.
(Instrument panel.)



Wear eye protection.



Wear heavy gloves.



Use an assistant.



Place the part on a blanket.



Work perpendicular.



Remove any burrs.



Use touch-up paint and allow to dry.



Tighten to the specified torque.



Apply firm pressure while rolling, especially at the ends, to set the adhesive.



Press firmly.

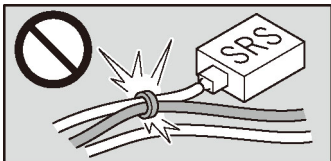


Clean with isopropyl alcohol.

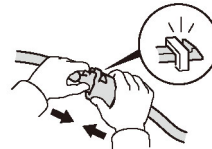


Return the original part to the customer.
(Do not reuse.)

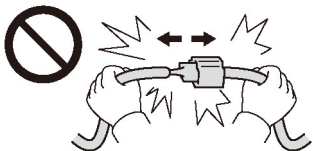
Wire Harness Routing Precaution



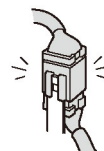
Do not secure the accessory harness to the SRS harness.
(except for instruction cases.)



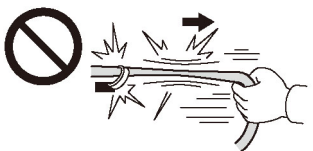
Push the connectors and terminals together until they lock.



Do not pull the harness to unplug the connectors.



Install removed connectors in their original location.



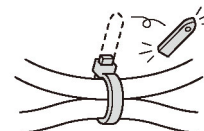
Do not pull the harness.



Secure the accessory harness as shown.



Do not pinch the harness.



Cut off the excess wire tie.

Germain Honda of College Hills

Safety: General

- Observe all safety notes and precautions described in the service information, in addition to those described in this Installation Instruction. Be extremely careful for your safety and safety of others.
- Be careful not to damage the vehicle or the parts.
- Be extremely careful when handling retaining tabs and clips.
- Note the locations of the parts before removing them so they can be properly installed in their original positions.
- The illustrations may differ slightly from the actual accessory.

Safety: Electric Parts

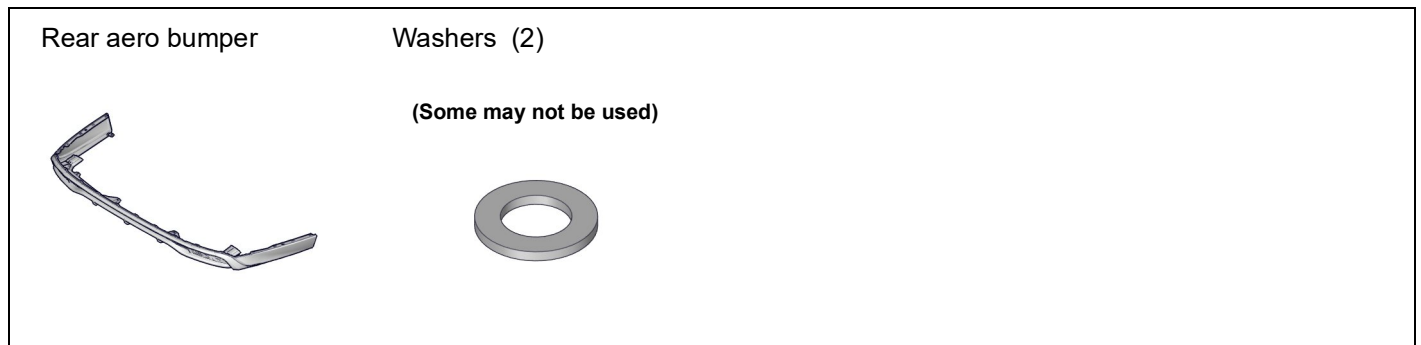
Always disconnect the negative cable from the battery before beginning work.

Safety: Accessory

Always use the parts and tools specified in the installation instructions.

PARTS LIST

Rear Aero Bumper Kit (P/N 08P99-30A-100)



REQUIRED TOOLS AND SUPPLIES

- Phillips screwdriver
- 10 mm Open end wrench
- Ratchet
- 10 mm Socket
- Blanket
- Masking tape

The following tools are available through the Honda Tool and Equipment Program:

- Trim Tool Set (T/N SOJATP2014)
- Plastic Trim Tool (T/N SILTRIMTL10)

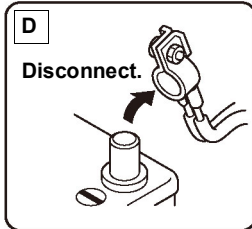
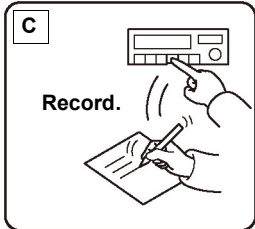
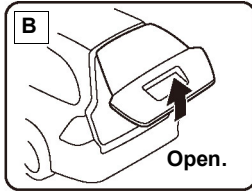
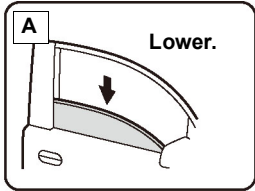
Germain Honda of College Hills

INSTALLATION

1. Disconnect the negative cable from the battery.

NOTE

With the driver's door open, turn the vehicle to the OFF (LOCK) mode, then wait at least 3 minutes before disconnecting the 12 volt negative battery cable.

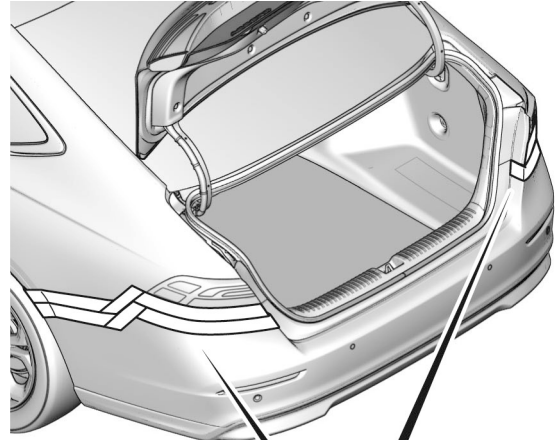
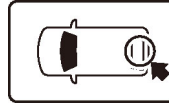


QCD0504BM

2. Attach masking tape to protect the vehicle.

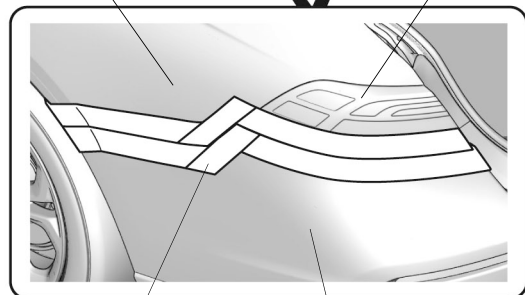
NOTE

Do not remove the masking tape until after the parts are installed.



REAR FENDER

TAILLIGHT



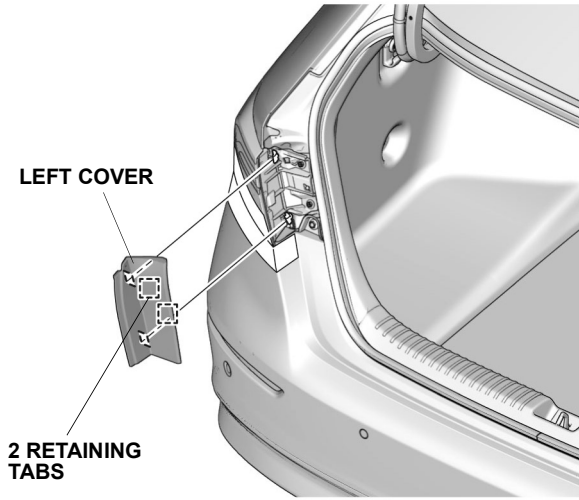
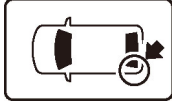
MASKING TAPE

REAR BUMPER

QM30902AG

Germain Honda of College Hills

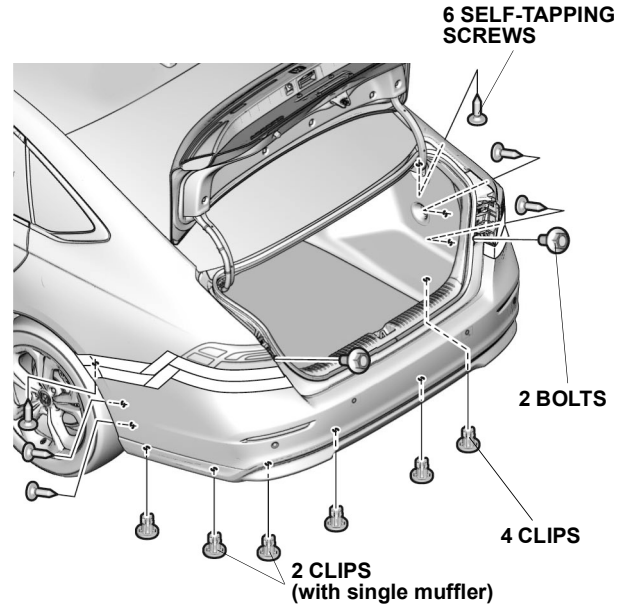
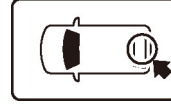
3. Remove the left cover.



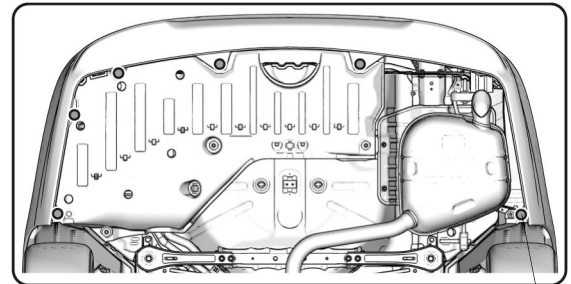
QM30903BG

4. Repeat step 3 on the other side.

5. Remove the clips, bolts, and self-tapping screws.

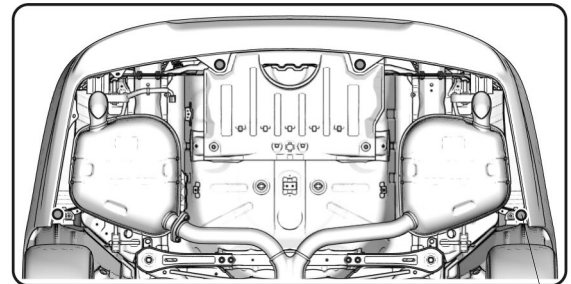


WITH SINGLE MUFFLER



6 CLIPS

WITH DUAL MUFFLER



4 CLIPS

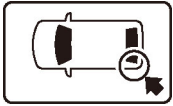
QM30904AG

Germain Honda of College Hills

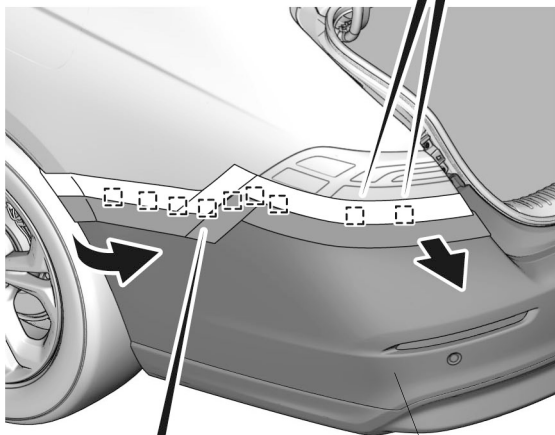
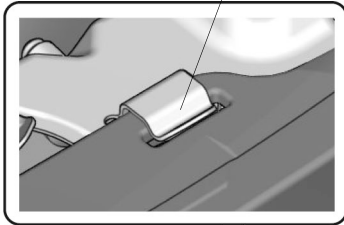
6. Release the retaining tabs.

NOTE

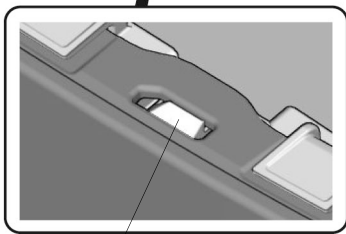
- Release the retaining tabs starting from outside working in.
- Make sure to release the retaining tabs in the correct orientation.



2 RETAINING TABS



REAR BUMPER

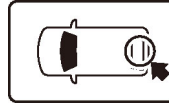


7 RETAINING TABS

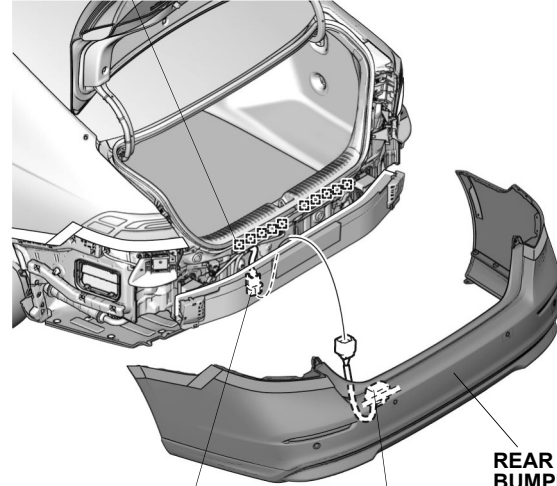
QM30905AG

7. Repeat step 6 on the other side.

8. Remove the rear bumper.



10 RETAINING TABS



REAR BUMPER

VEHICLE CONNECTOR
(if equipped)

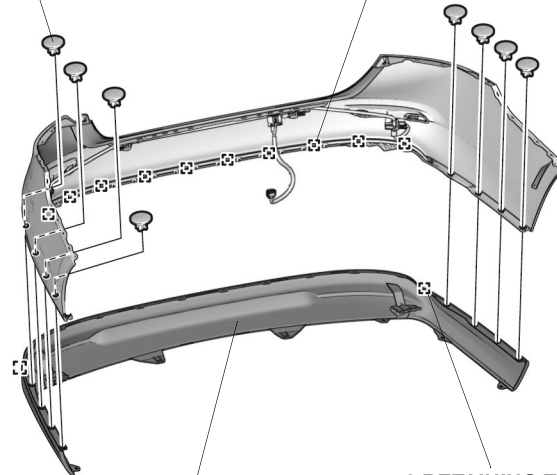
VEHICLE CONNECTOR
(Do not unplug.)

QM30906AG

9. Remove the rear lower bumper.

8 CLIPS

10 RETAINING TABS



REAR LOWER BUMPER

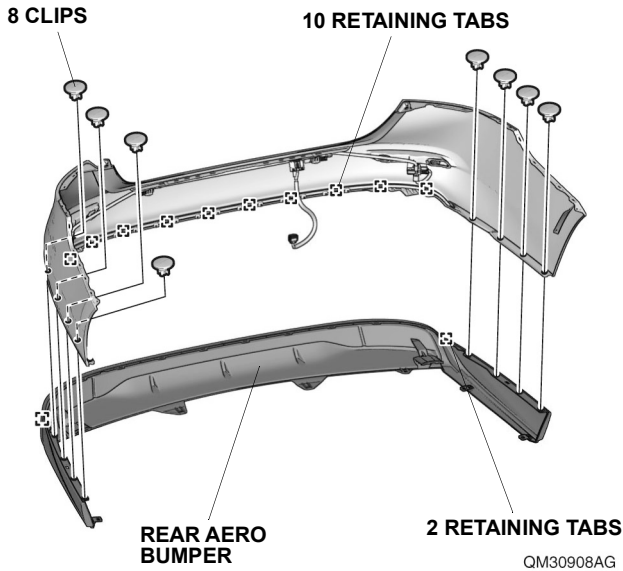
2 RETAINING TABS

QM30907AG



Germain Honda of College Hills

10. Install the rear aero bumper.



11. Choose one of these options.

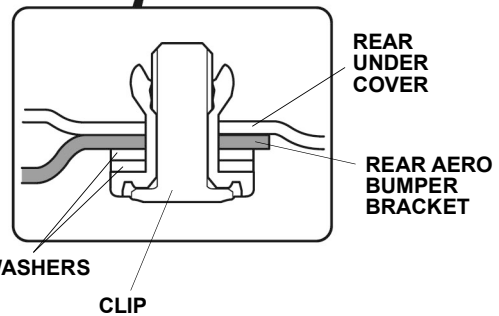
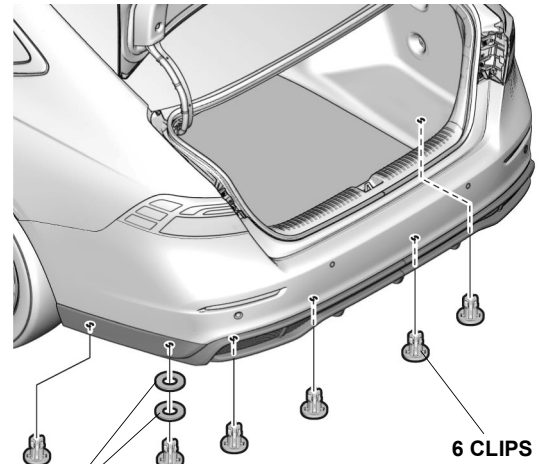
• With single muffler

Go to step 12

• With dual muffler

Go to step 14

12. Install the rear bumper.



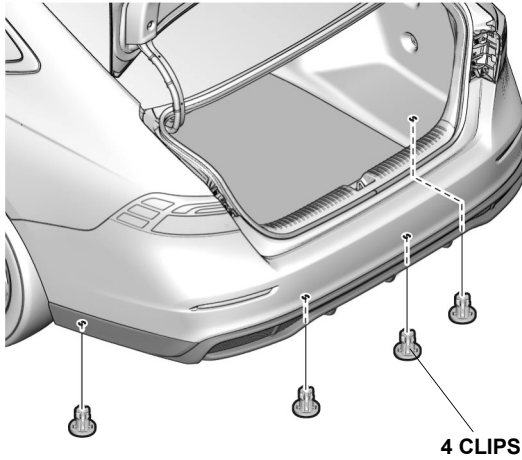
QM30909DG

13. Secure the rear aero bumper.

Go to step 16

Germain Honda of College Hills

14. Install the rear bumper.



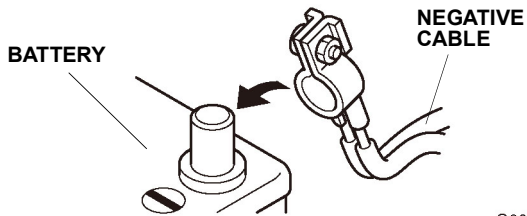
QM40501AG

15. Secure the rear aero bumper.
16. Check that all parts are installed and properly routed.

NOTE

- Check that all harnesses are not pulled or pinched.
- Make sure all clips and wire ties are securely installed.

17. Install all removed parts.
18. Connect the negative cable to the battery.



Q060702BM

19. Make sure all accessories and systems operate properly.
20. If necessary, restore the systems back to normal operation as described in the service information.
21. Press and hold the audio unit power button for 2 seconds to restore the audio and navi (if equipped) system functions.