

# Germain Honda of College Hills



## INSTALLATION INSTRUCTIONS

Accessory

FRONT AERO BUMPER

Application

2023 ACCORD  
MODEL SERIES

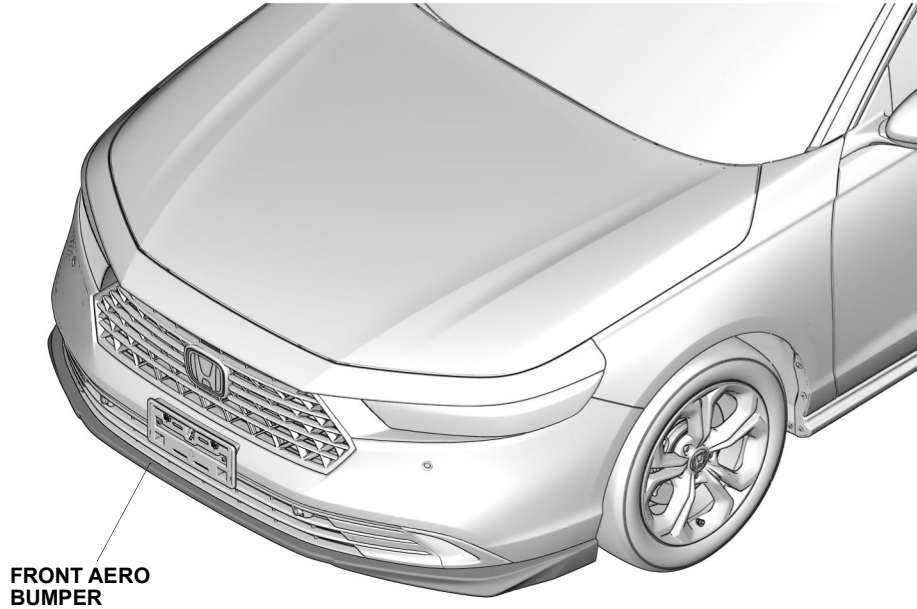
Publications No.

VERSION 1

Issue Date

DEC 2022

## GENERAL VIEW



QM30801AG

## FOR YOUR SAFETY (Read carefully.)

### Warning Symbols

Safety: Your safety, and the safety of others, is important. To help you make informed decisions about service procedures, we have provided safety messages where appropriate. Of course, it is not practical or possible to warn you about all the hazards associated with servicing a vehicle - you must use your own good judgment.

You will find important safety messages preceded by one of the following symbols:

\*All symbols are not used in all installation instructions.

 **DANGER**

You will be killed or seriously hurt if you do not follow the instructions.

 **WARNING**

You can be killed or seriously hurt if you do not follow the instructions.

 **CAUTION**

You can be hurt if you do not follow the instructions.

**NOTICE**

Gives advice to prevent damage to the product, vehicle, the environment or other property.

**NOTE**

Gives helpful information or instructions to be followed when installing this product.



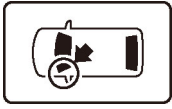
Indicates a prohibited action.

# Germain Honda of College Hills

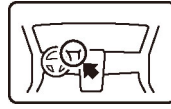
## Procedure and Location Icons

These icons indicate the work location and the worker's point of view.

\*All icons are not used in all installation instructions.



The location on the vehicle.



The location in the vehicle.  
(Instrument panel.)



Wear eye protection.



Wear heavy gloves.



Use an assistant.



Place the part on a blanket.



Work perpendicular.



Remove any burrs.



Use touch-up paint and allow to dry.



Tighten to the specified torque.



Apply firm pressure while rolling, especially at the ends, to set the adhesive.



Press firmly.

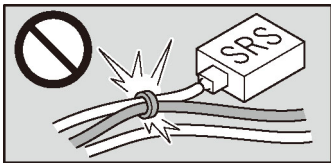


Clean with isopropyl alcohol.

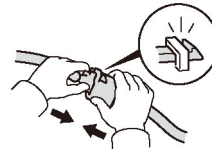


Return the original part to the customer.  
(Do not reuse.)

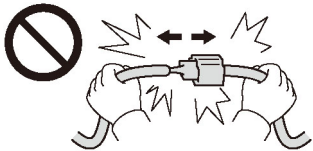
## Wire Harness Routing Precaution



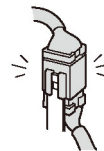
Do not secure the accessory harness to the SRS harness. (except for instruction cases.)



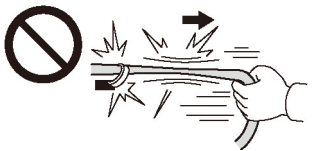
Push the connectors and terminals together until they lock.



Do not pull the harness to unplug the connectors.



Install removed connectors in their original location.



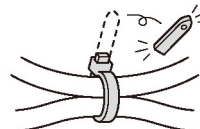
Do not pull the harness.



Secure the accessory harness as shown.



Do not pinch the harness.



Cut off the excess wire tie.

# Germain Honda of College Hills

## Safety: General

- Observe all safety notes and precautions described in the service information, in addition to those described in this Installation Instruction. Be extremely careful for your safety and safety of others.
- Be careful not to damage the vehicle or the parts.
- Be extremely careful when handling retaining tabs and clips.
- Note the locations of the parts before removing them so they can be properly installed in their original positions.
- The illustrations may differ slightly from the actual accessory.

## Safety: Electric Parts

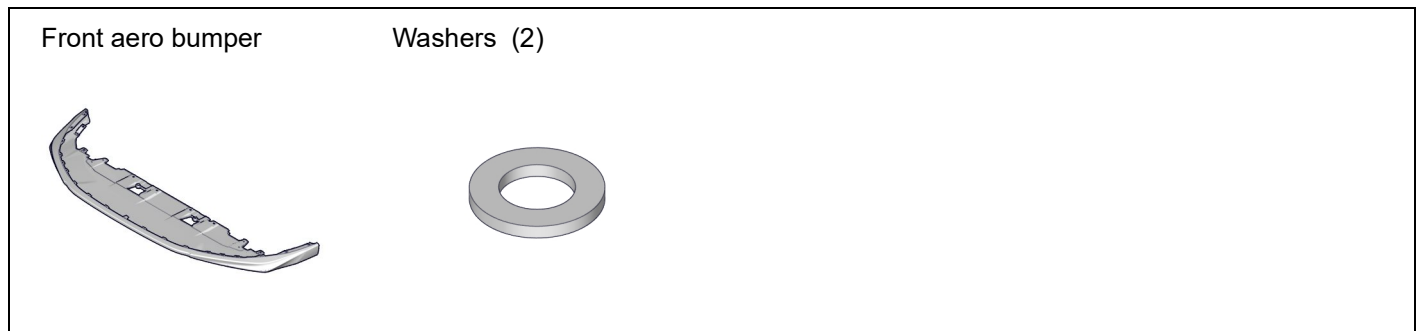
Always disconnect the negative cable from the battery before beginning work.

## Safety: Accessory

Always use the parts and tools specified in the installation instructions.

## PARTS LIST

### Front Aero Bumper Kit (P/N 08P98-30A-100)



## REQUIRED TOOLS AND SUPPLIES

- Phillips screwdriver
- 10 mm Open end wrench
- Blanket
- Masking tape

The following tools are available through the Honda Tool and Equipment Program:

- Trim Tool Set (T/N SOJATP2014)
- Plastic Trim Tool (T/N SILTRIMTL10)

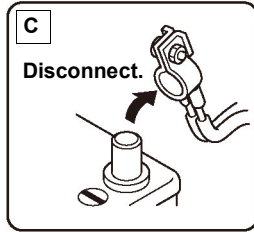
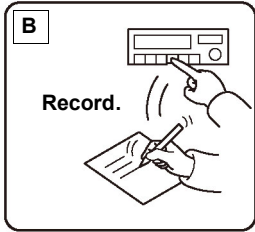
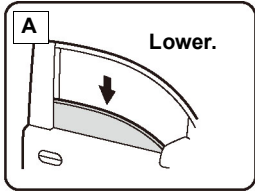
# Germain Honda of College Hills

## INSTALLATION

1. Disconnect the negative cable from the battery.

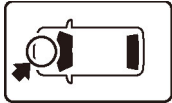
### NOTE

With the driver's door open, turn the vehicle to the OFF (LOCK) mode, then wait at least 3 minutes before disconnecting the 12 volt negative battery cable.



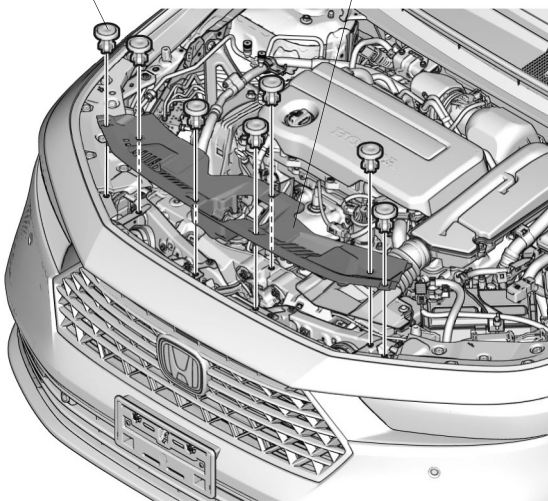
QCD0502BM

2. Remove the front grille cover.



7 CLIPS

FRONT GRILLE COVER

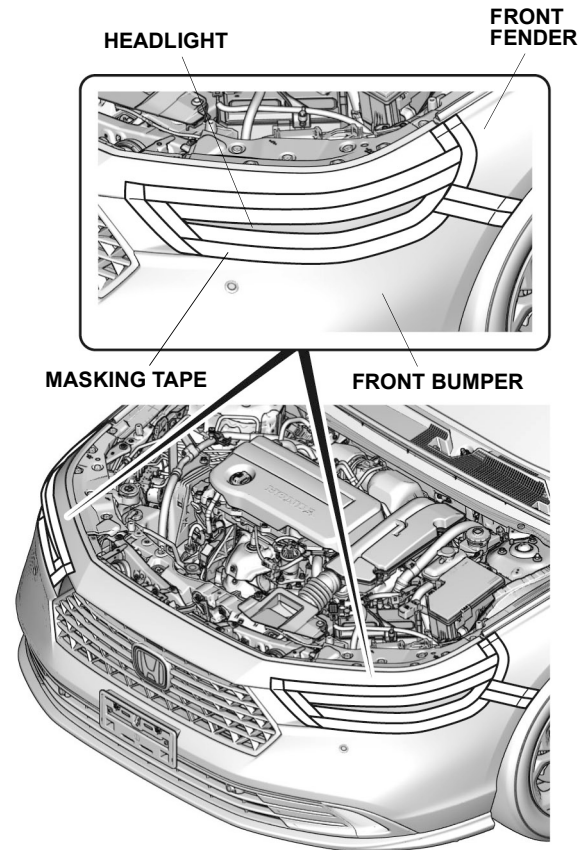


QM30802AG

3. Attach masking tape to protect the vehicle.

### NOTE

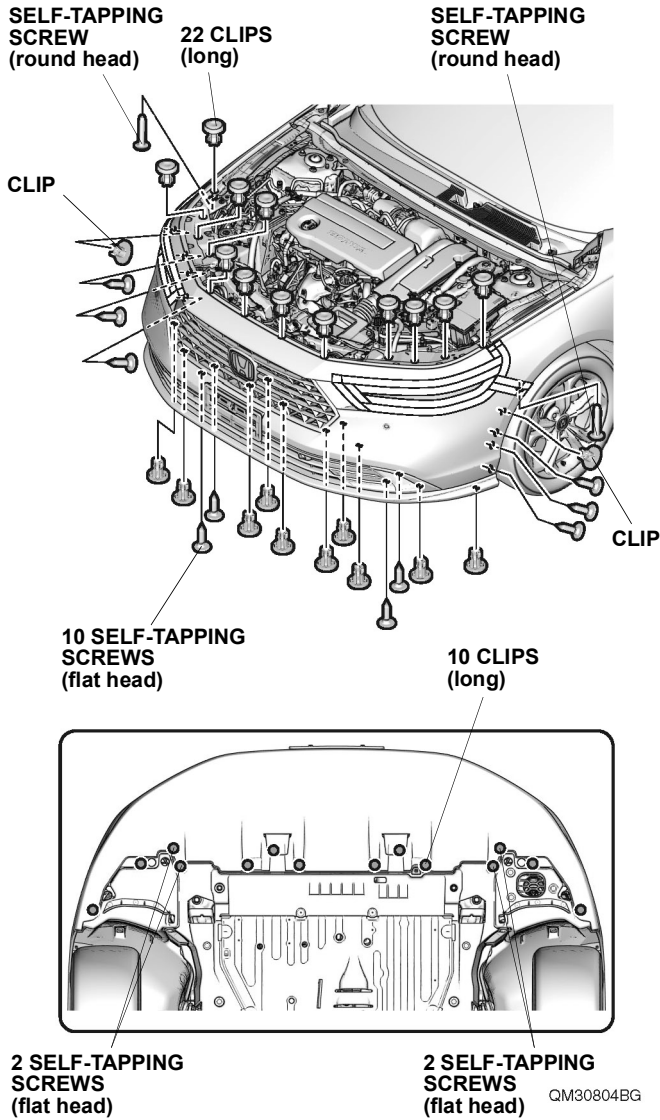
Do not remove the masking tape until after the parts are installed.



QM30803AG

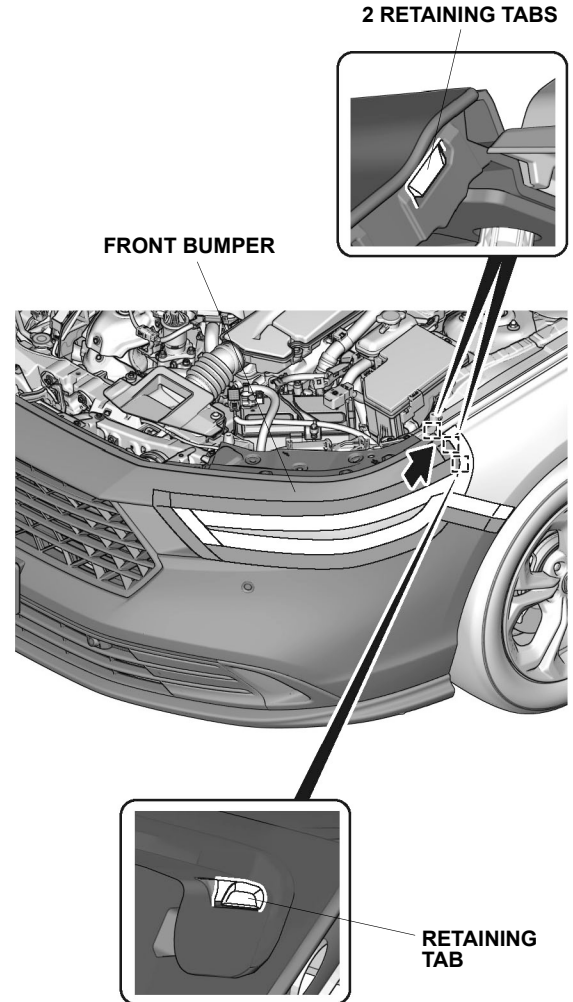
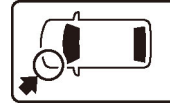
# Germain Honda of College Hills

4. Remove the clips and self-tapping screws.



5. Release the retaining tabs.

**NOTE**  
Make sure to release the retaining tabs in the correct orientation.



QM92201AA



# Germain Honda of College Hills

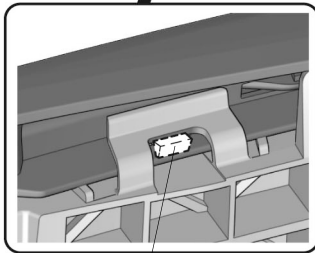
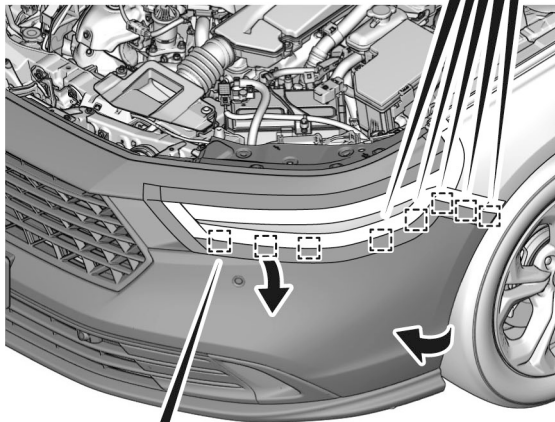
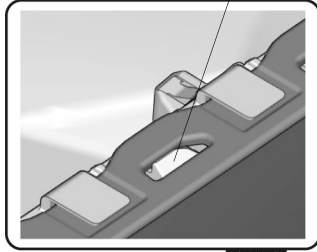
6. Release the retaining tabs.

## NOTE

- Release the retaining tabs starting from outside working in.
- Make sure to release the retaining tabs in the correct orientation.



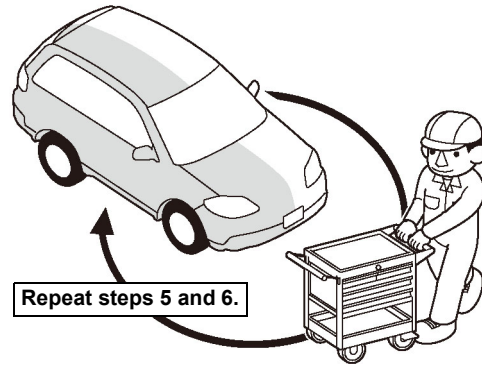
5 RETAINING TABS



3 RETAINING TABS

QM30805AG

7. Repeat the same procedures on the other side.

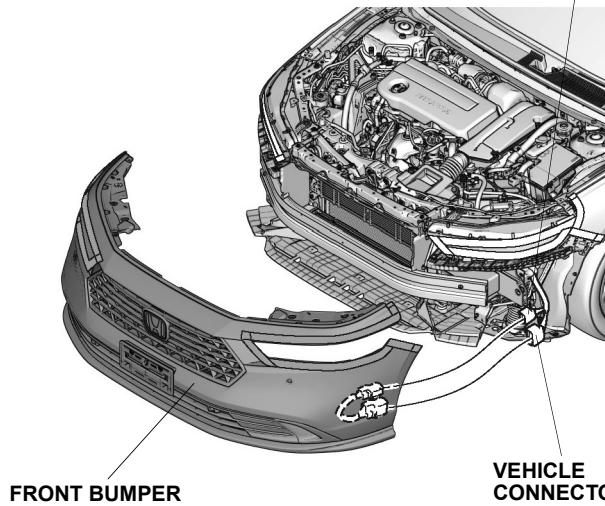


Q9D1014AM

8. Remove the front bumper.



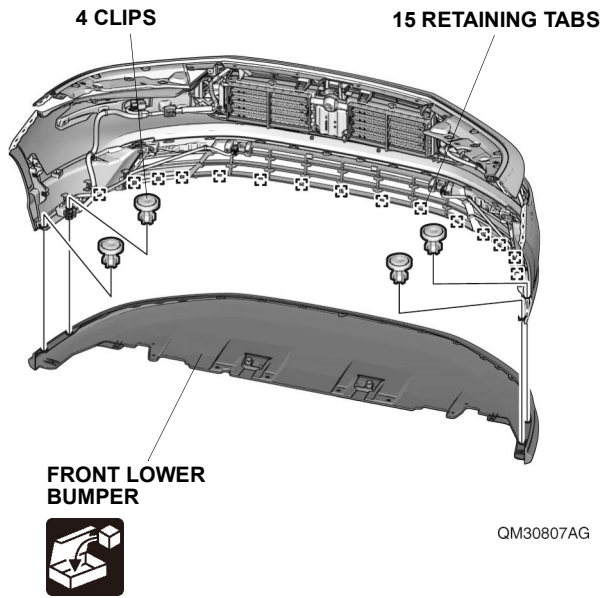
VEHICLE CONNECTOR  
(if equipped)



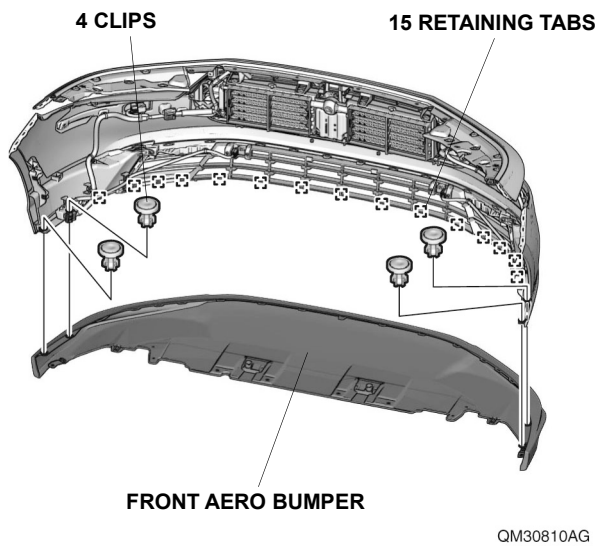
QM30806BG

# Germain Honda of College Hills

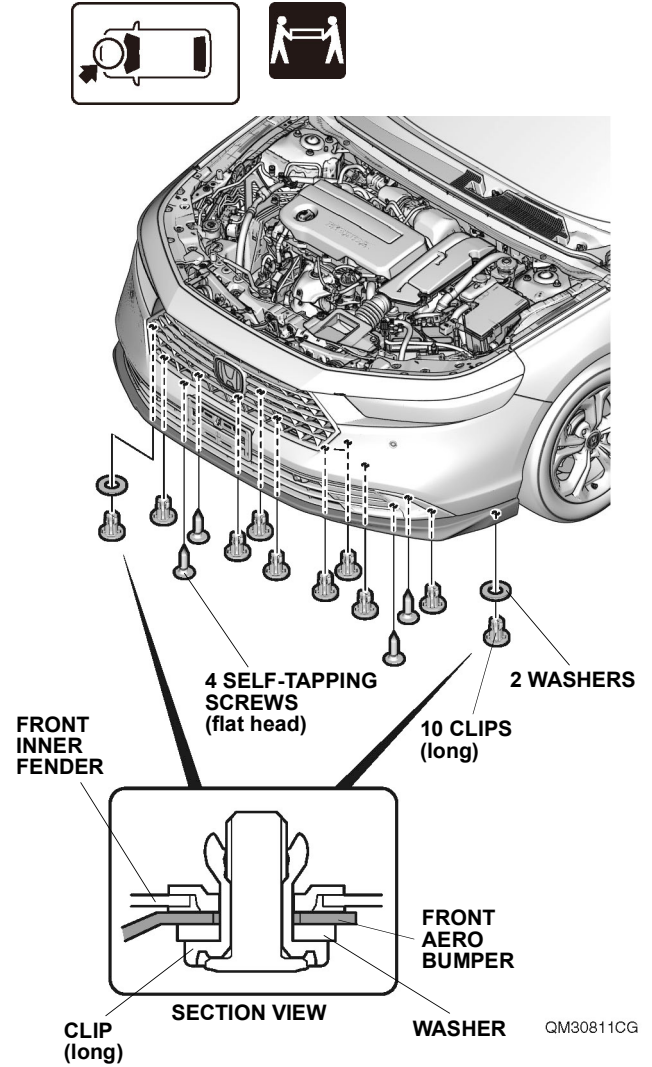
9. Remove the front lower bumper.



10. Install the front aero bumper.



11. Install the front bumper.



12. Secure the front aero bumper.

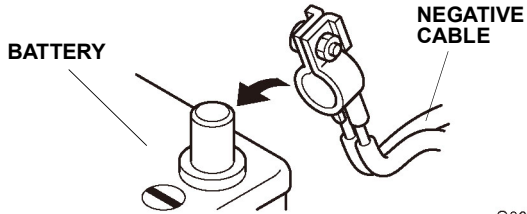
# Germain Honda of College Hills

13. Check that all parts are installed and properly routed.

NOTE
<ul style="list-style-type: none"><li>• Check that all harnesses are not pulled or pinched.</li><li>• Make sure all clips and wire ties are securely installed.</li></ul>



14. Install all removed parts.
15. Connect the negative cable to the battery.



16. For vehicles equipped with Honda SENSING system, aim the millimeter-wave radar as described in the service information.
17. Make sure all accessories and systems operate properly.
18. If necessary, restore the systems back to normal operation as described in the service information.
19. Press and hold the audio unit power button for 2 seconds to restore the audio and navi (if equipped) system functions.