

Germain Honda of College Hills



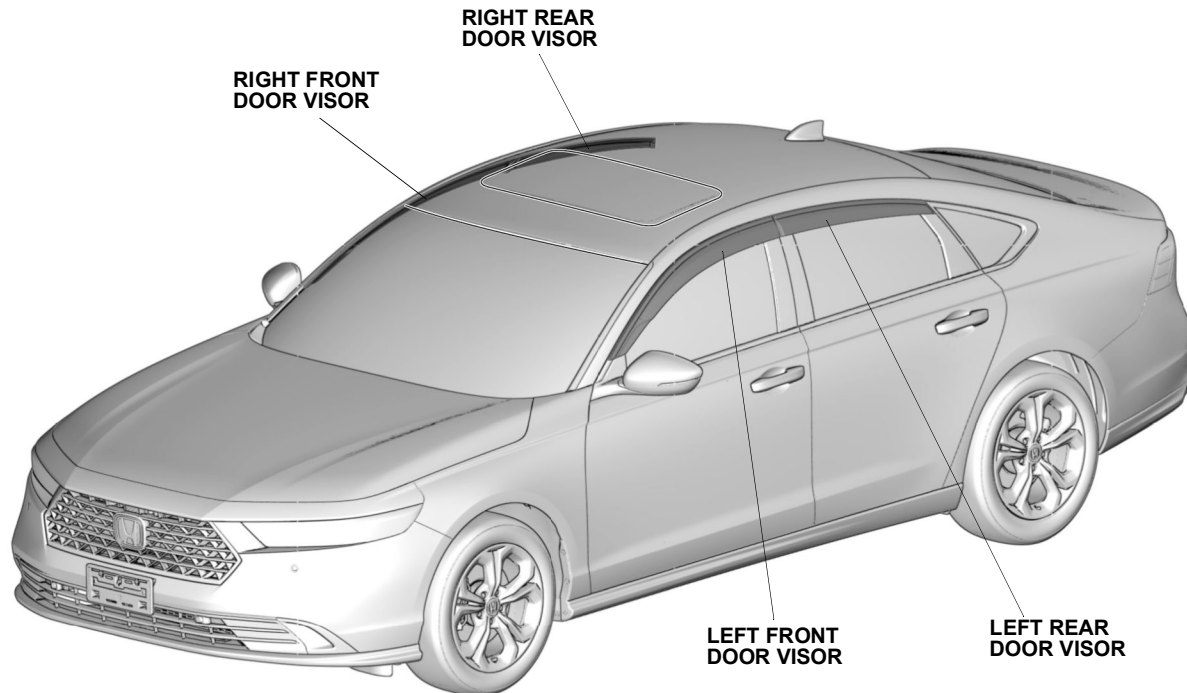
INSTALLATION INSTRUCTIONS

Accessory
DOOR VISORS

Application
2023 ACCORD
MODEL SERIES

Publications No.
VERSION 1
Issue Date
DEC 2022

GENERAL VIEW



QM31701AN

FOR YOUR SAFETY (Read carefully.)

Warning Symbols

Safety: Your safety, and the safety of others, is important. To help you make informed decisions about service procedures, we have provided safety messages where appropriate. Of course, it is not practical or possible to warn you about all the hazards associated with servicing a vehicle - you must use your own good judgment.

You will find important safety messages preceded by one of the following symbols:

*All symbols are not used in all installation instructions.

⚠ DANGER

You will be killed or seriously hurt if you do not follow the instructions.

⚠ WARNING

You can be killed or seriously hurt if you do not follow the instructions.

⚠ CAUTION

You can be hurt if you do not follow the instructions.

NOTICE

Gives advice to prevent damage to the product, vehicle, the environment or other property.

NOTE

Gives helpful information or instructions to be followed when installing this product.



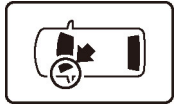
Indicates a prohibited action.

Germain Honda of College Hills

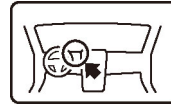
Procedure and Location Icons

These icons indicate the work location and the worker's point of view.

*All icons are not used in all installation instructions.



The location on the vehicle.



The location in the vehicle.
(Instrument panel.)



Wear eye protection.



Wear heavy gloves.



Use an assistant.



Place the part on a blanket.



Work perpendicular.



Remove any burrs.



Use touch-up paint and allow to dry.



Tighten to the specified torque.



Apply firm pressure while rolling, especially at the ends, to set the adhesive.



Press firmly.



Clean with isopropyl alcohol.



Return the original part to the customer.
(Do not reuse.)

Safety: General

- Visors may not be legal in all states. Please check the laws of your state.
- Observe all safety notes and precautions described in the service information, in addition to those described in this Installation Instruction. Be extremely careful for your safety and the safety of others.
- Be careful not to damage the vehicle or the parts.
- The illustrations may differ slightly from the actual accessory.

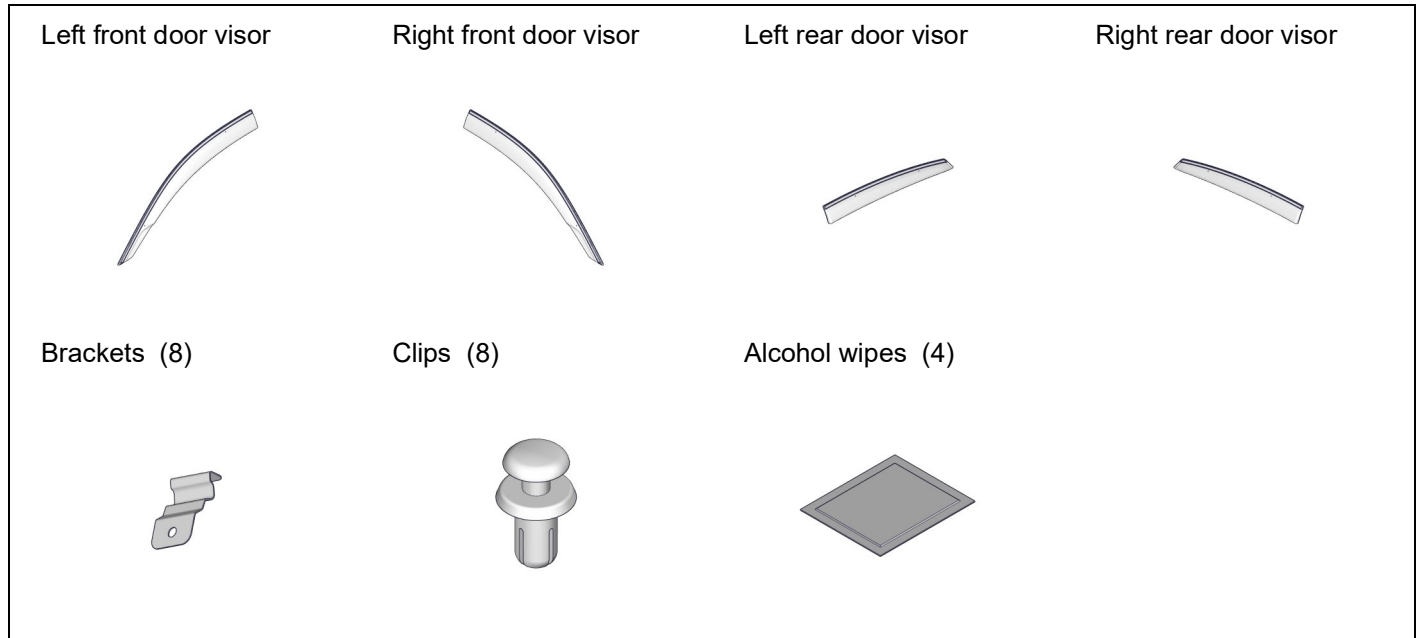
Safety: Accessory

- Always use the parts and tools specified in the installation instructions.
- Do not shock or impact the accessories.
- Be careful this accessory can easily be damaged by solvent or contact cleaner.
- Always use the parts and tools specified in the installation instructions.
- Do not install the accessory on a dirty surface or in direct sunlight.
- Make sure the ambient air temperature is 60°F (15°C) or above when installing accessories that use adhesive material.
- When pressing the accessory firmly with the palm of your hand, be careful not to damage it or the vehicle.
- When applying adhesive material, make sure it is lined up properly before attaching. Once the adhesive material touches the surface, do not try to remove it. If you do, you could damage the part.
- Do not wash the vehicle for 24 hours to allow the adhesive to cure.

Germain Honda of College Hills

PARTS LIST

Door Visors Kit (P/N 08R04-TVA-101)



REQUIRED TOOLS AND SUPPLIES

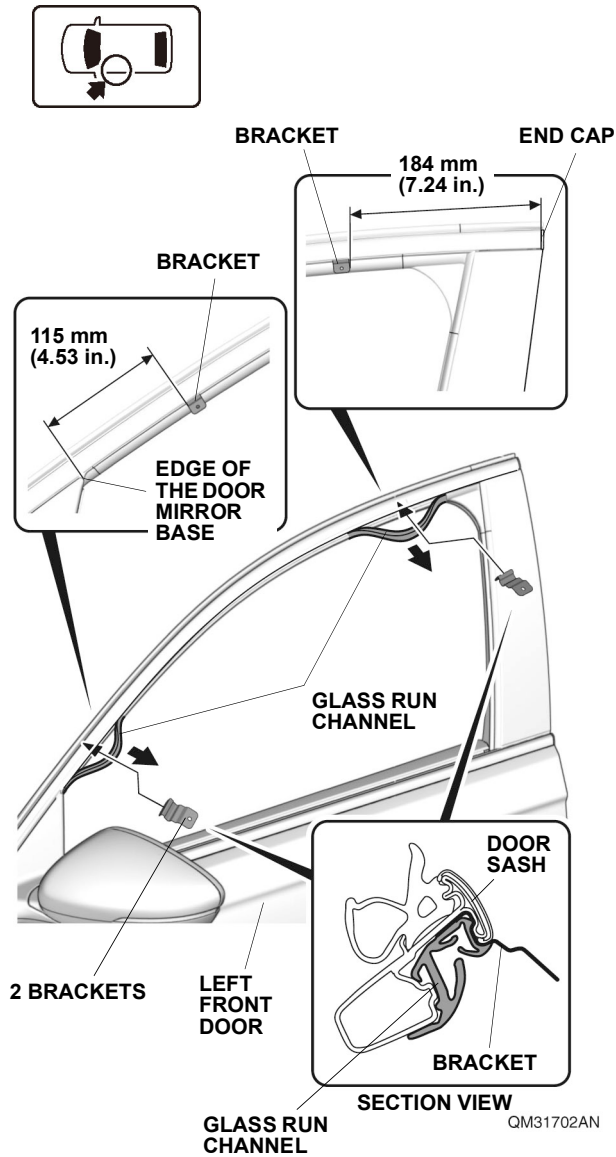
- Masking tape
- Ruler
- Soft towel

The following tool is available through the Honda Tool and Equipment Program:
Rubber Roller (T/N MHLE54D)

Germain Honda of College Hills

INSTALLATION

1. Fully open the left front window.
2. Install the brackets.



3. Install the glass run channel.

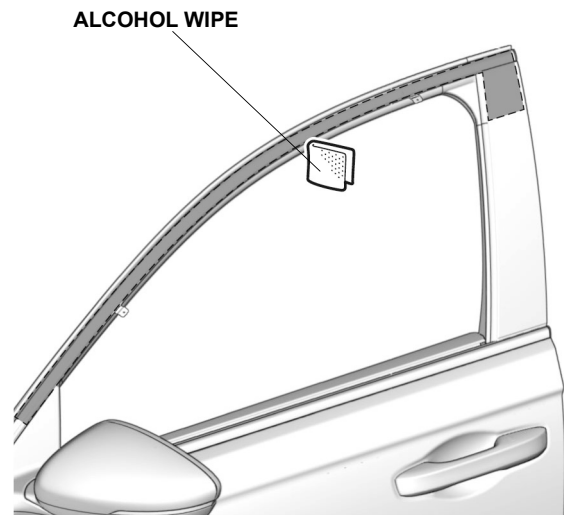
NOTE

Make sure to correctly install the glass run channel.

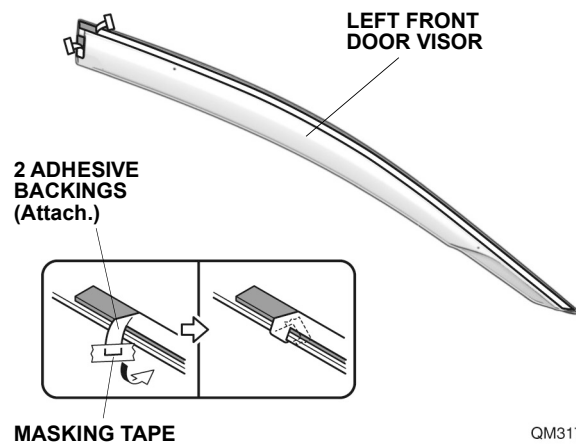
4. Clean the attaching area.

NOTE

Allow to dry thoroughly.



5. Temporarily attach the adhesive backings.

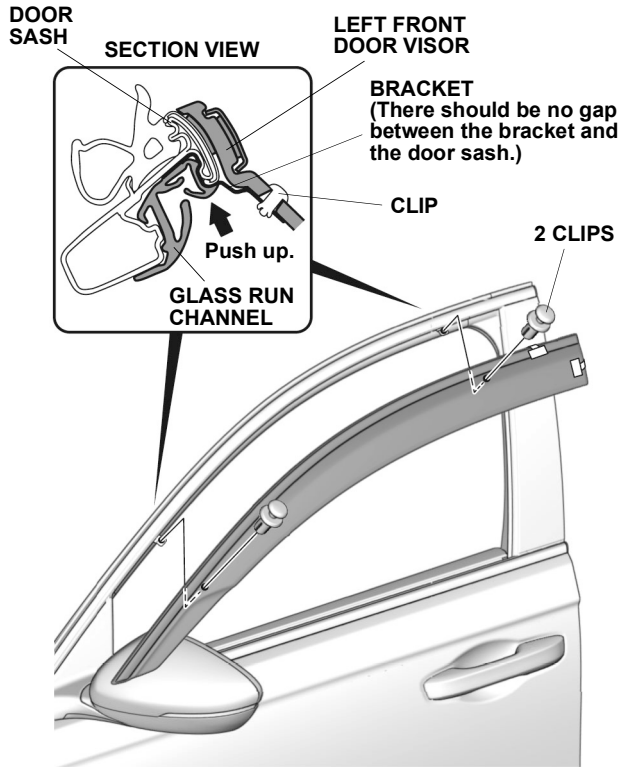


Germain Honda of College Hills

6. Install the left front door visor.

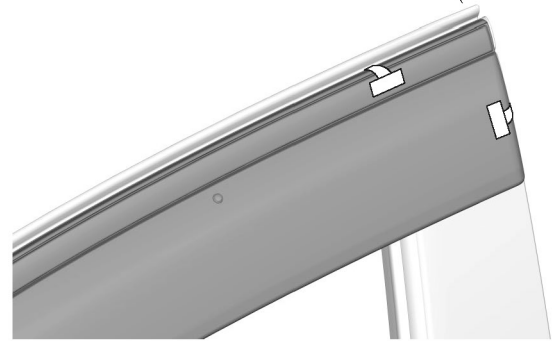
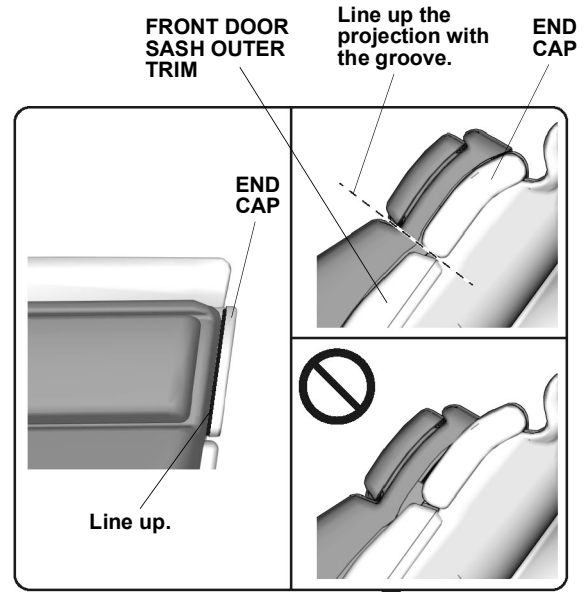
NOTE

Be extremely careful when installing the clips; they cannot be reinstalled after installation.



QM31705AN

7. Line up the left front door visor.



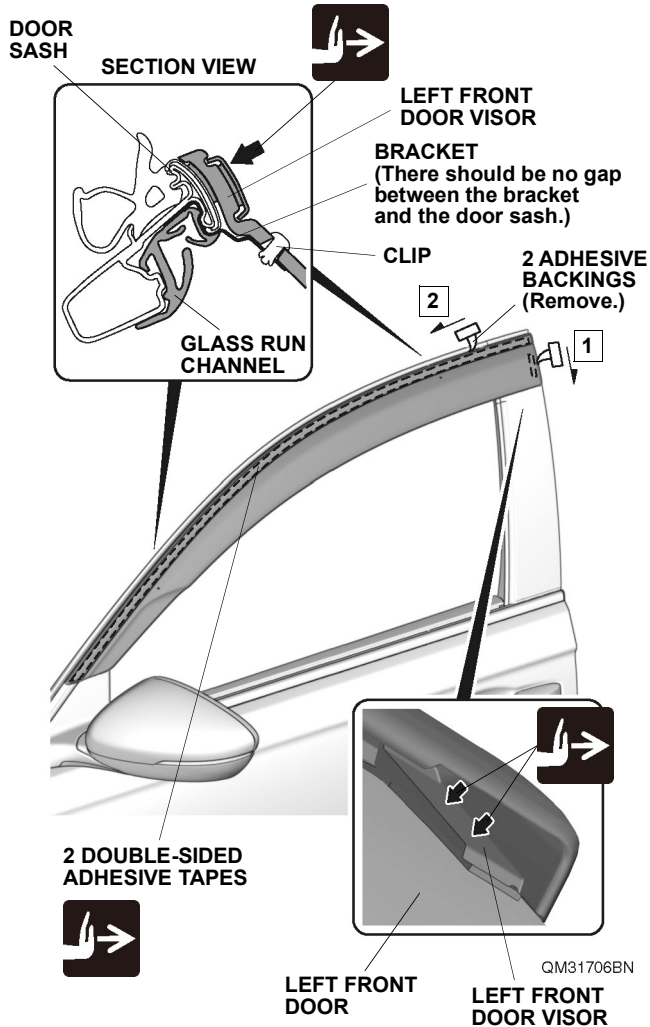
QM40801AA

Germain Honda of College Hills

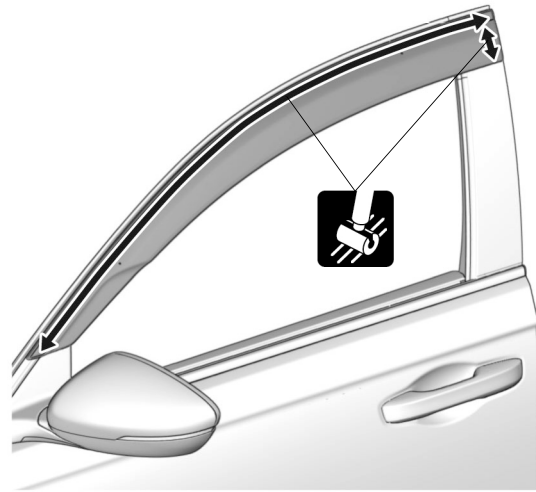
8. Secure the left front door visor.

NOTE

- Make sure that the door visor is installed in the correct position.
- Secure in the order shown.
- Check the position of the double-sided adhesive tapes and make sure to press firmly.



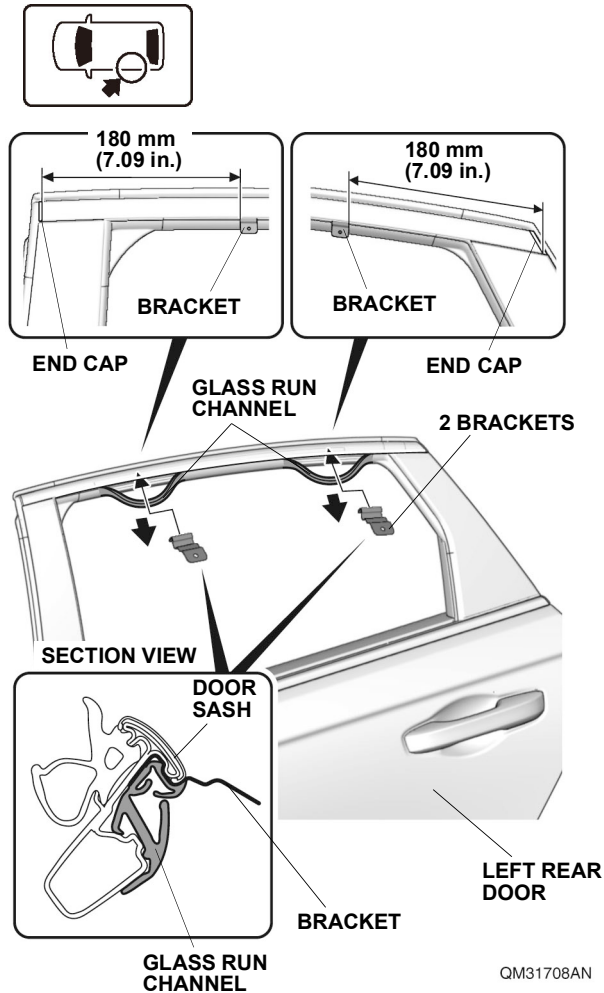
9. Secure the left front door visor.



QM31707AN

Germain Honda of College Hills

10. Fully open the left rear window.
11. Install the brackets.



12. Install the glass run channel.

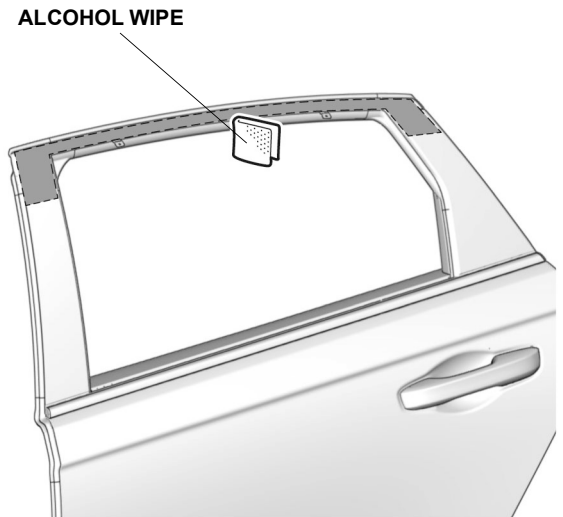
NOTE

Make sure to correctly install the glass run channel.

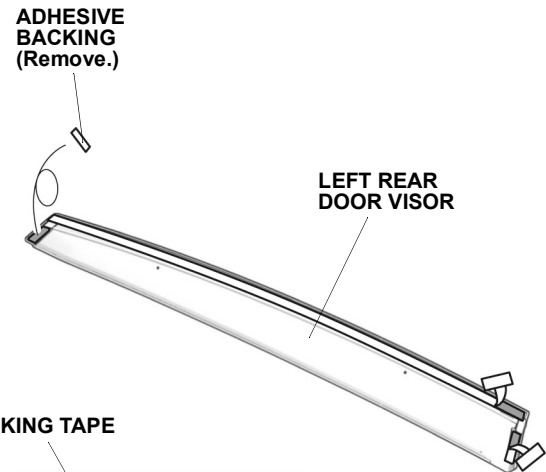
13. Clean the attaching area.

NOTE

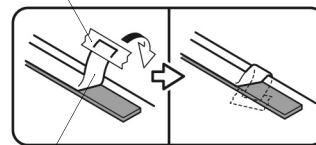
Allow to dry thoroughly.



14. Temporarily attach the adhesive backings.



MASKING TAPE



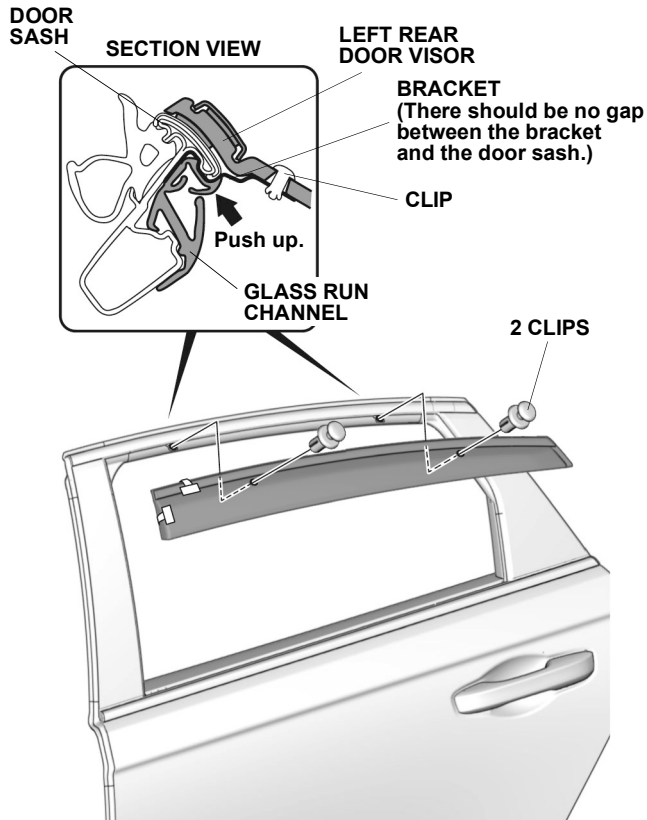
15. Remove the adhesive backing.

Germain Honda of College Hills

16. Install the left rear door visor.

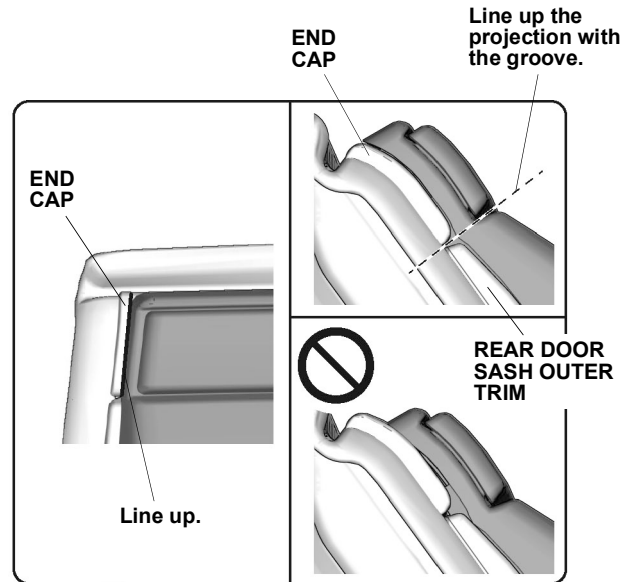
NOTE

Be extremely careful when installing the clips; they cannot be reinstalled after installation.

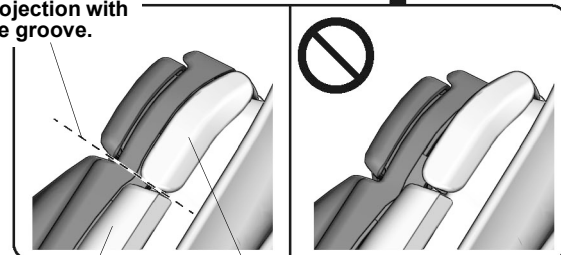


QM31711AN

17. Line up the left rear door visor.



Line up the projection with the groove.



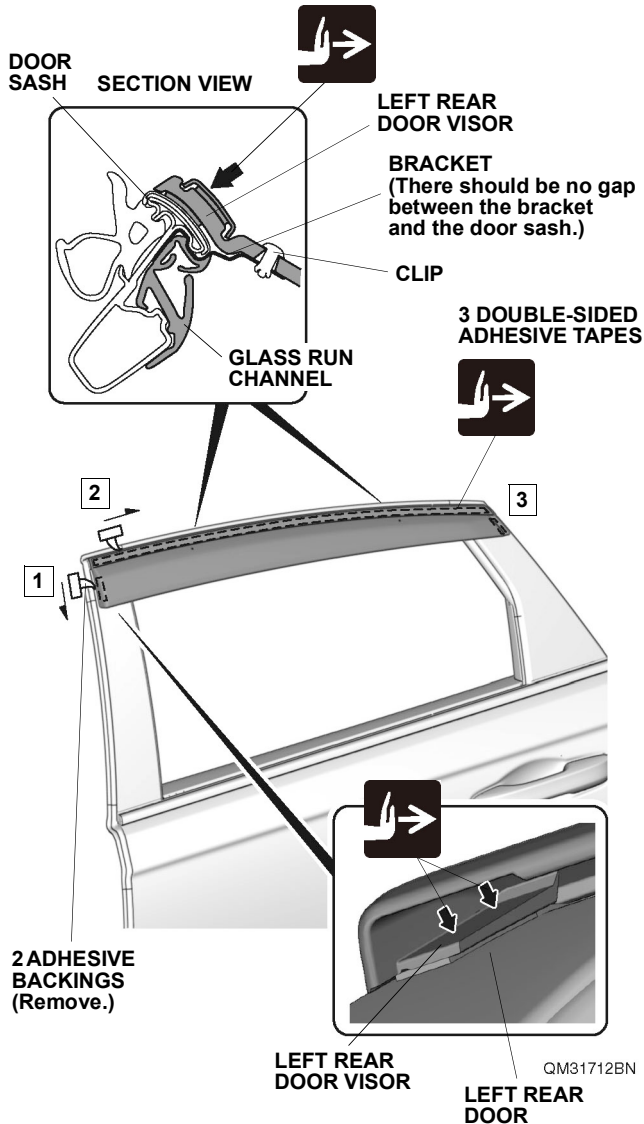
QM40802AA

Germain Honda of College Hills

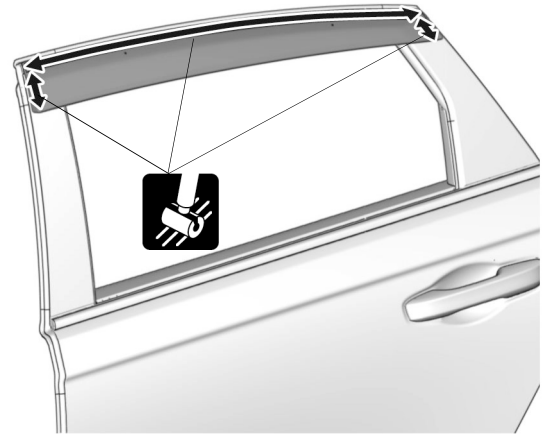
18. Secure the left rear door visor.

NOTE

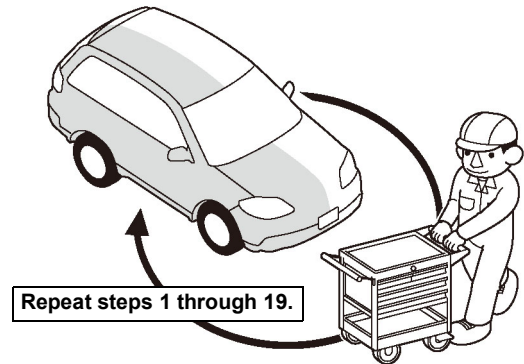
- Make sure that the door visor is installed in the correct position.
- Secure in the order shown.
- Check the position of the double-sided adhesive tapes and make sure to press firmly.



19. Secure the left rear door visor.



20. Repeat the same procedures on the other side.



21. Check that all parts are installed properly.

<Resetting the Power Window Control Unit>

NOTICE

Refer to the Service information.

22. Perform the resetting.

Germain Honda of College Hills

Please give your customer a copy of this page.

DOOR VISOR

Use and Care

- To avoid damaging the surface, never use ammonia-based cleaners or solvents to clean the door visor.
- Clean with a solution of mild dishwashing soap and water using a soft cloth or chamois.