

# Germain Honda of College Hills



## INSTALLATION INSTRUCTIONS

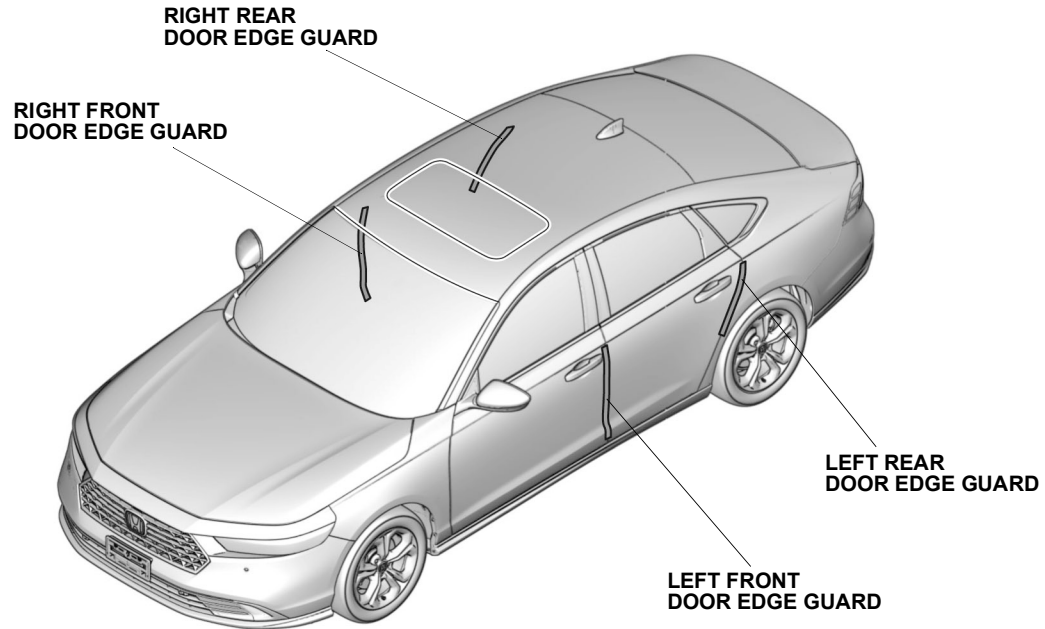
Accessory  
DOOR EDGE GUARDS

Application  
2023 ACCORD  
MODEL SERIES

Publications No.  
VERSION 1  
Issue Date  
DEC 2022

### GENERAL VIEW

If you are also installing body side moldings (sold separately), install them before you install the door edge guards.



QM92104AG

### FOR YOUR SAFETY (Read carefully.)

#### Warning Symbols

Safety: Your safety, and the safety of others, is important. To help you make informed decisions about service procedures, we have provided safety messages where appropriate. Of course, it is not practical or possible to warn you about all the hazards associated with servicing a vehicle - you must use your own good judgment.

You will find important safety messages preceded by one of the following symbols:

\*All symbols are not used in all installation instructions.

**⚠ DANGER**

You will be killed or seriously hurt if you do not follow the instructions.

**⚠ WARNING**

You can be killed or seriously hurt if you do not follow the instructions.

**⚠ CAUTION**

You can be hurt if you do not follow the instructions.

**NOTICE**

Gives advice to prevent damage to the product, vehicle, the environment or other property.

**NOTE**

Gives helpful information or instructions to be followed when installing this product.



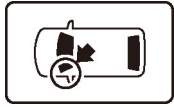
Indicates a prohibited action.

# Germain Honda of College Hills

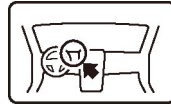
## Procedure and Location Icons

These icons indicate the work location and the worker's point of view.

\*All icons are not used in all installation instructions.



The location on the vehicle.



The location in the vehicle.  
(Instrument panel.)



Wear eye protection.



Wear heavy gloves.



Use an assistant.



Place the part on a blanket.



Work perpendicular.



Remove any burrs.



Use touch-up paint and allow to dry.



Tighten to the specified torque.



Apply firm pressure while rolling, especially at the ends, to set the adhesive.



Press firmly.



Clean with isopropyl alcohol.



Return the original part to the customer.  
(Do not reuse.)

## Safety: General

- Observe all safety notes and precautions described in the service information, in addition to those described in this Installation Instruction. Be extremely careful for your safety and safety of others.
- Be careful not to damage the vehicle or the parts.
- Be extremely careful when handling retaining tabs and clips.
- The illustrations may differ slightly from the actual accessory.

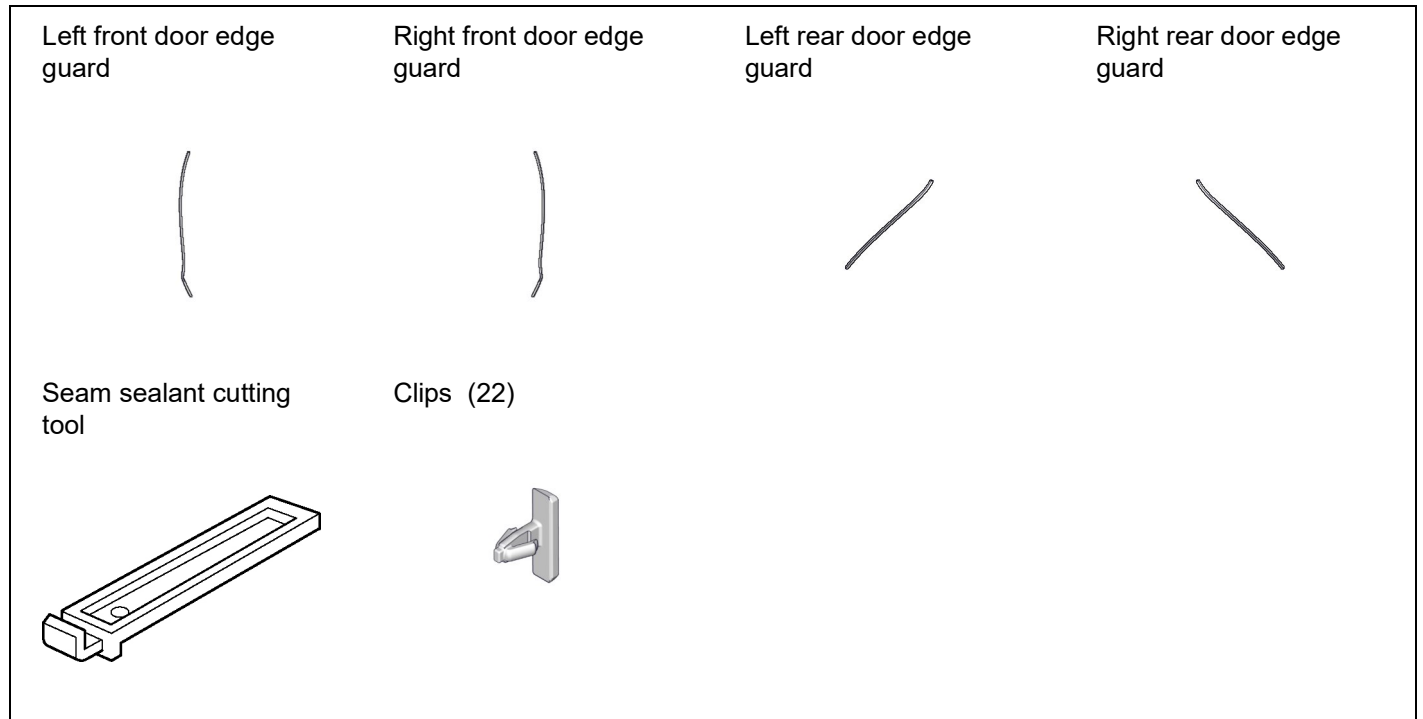
## Safety: Accessory

Always use the parts and tools specified in installation instructions.

# Germain Honda of College Hills

## PARTS LIST

Door Edge Guards Kit (P/N 08P20-30A-100)



## REQUIRED TOOLS AND SUPPLIES

- Rubber mallet
- Felt-tip pen
- Touch-up paint
- Ruler

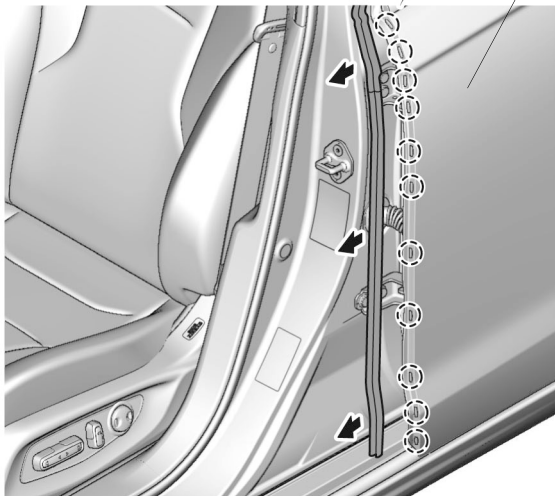
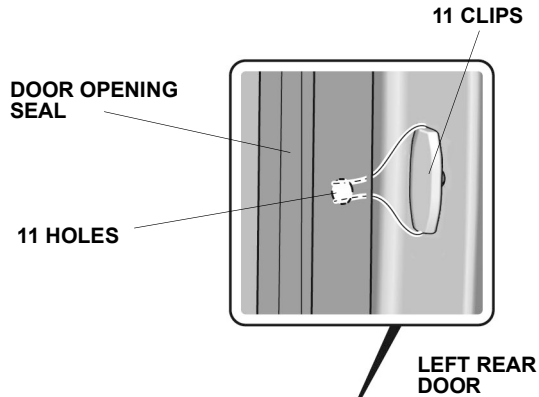
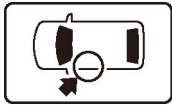
The following tools are available through the Honda Tool and Equipment Program:

- Trim Tool Set (T/N SOJATP2014)
- Plastic Trim Tool (T/N SILTRIMTL10)

# Germain Honda of College Hills

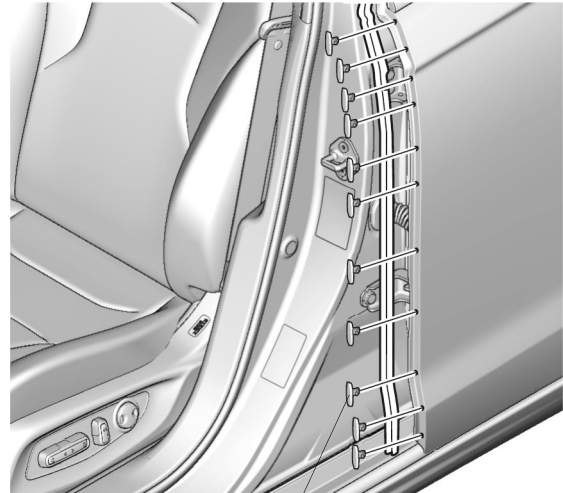
## INSTALLATION

1. Release the door opening seal.



QM31102AN

2. Remove the clips.



11 CLIPS

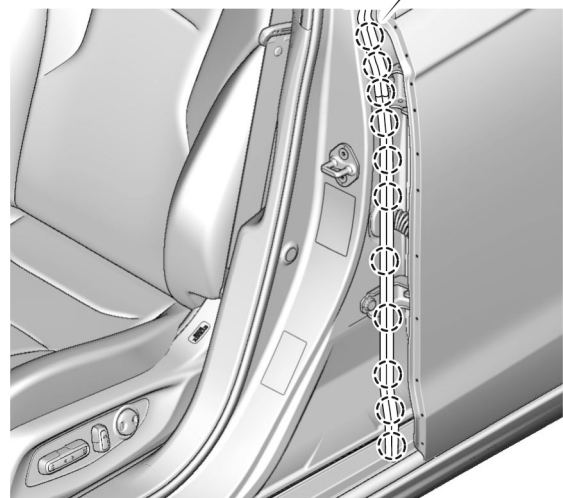
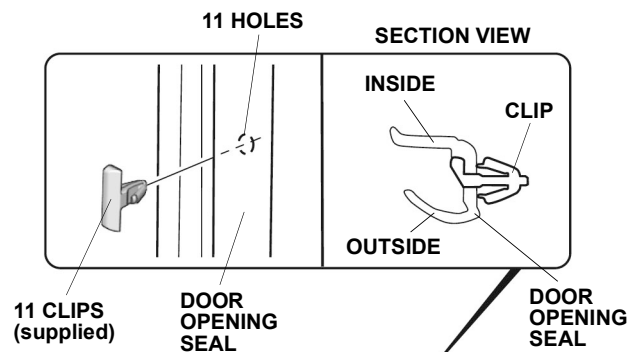
QM31103AN



3. Install the clips.

### NOTE

Make sure to install the clip in the correct orientation.

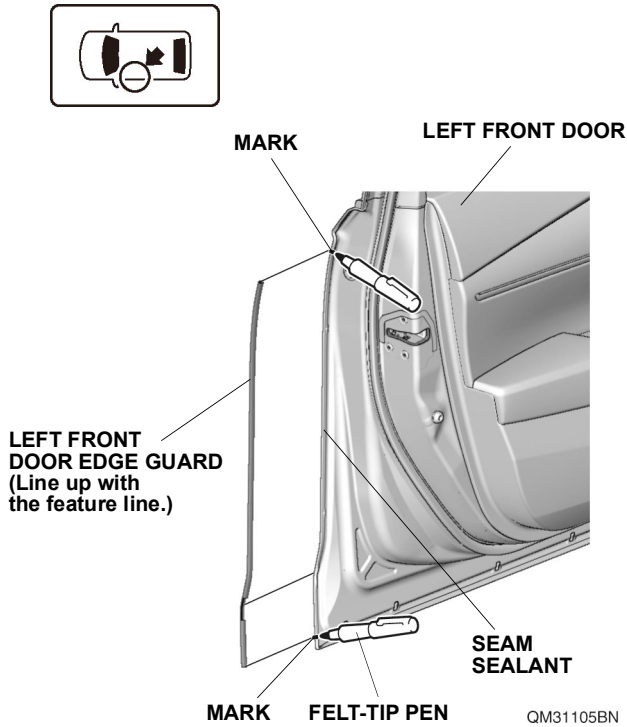


QM31104AN

4. Install the door opening seal.

# Germain Honda of College Hills

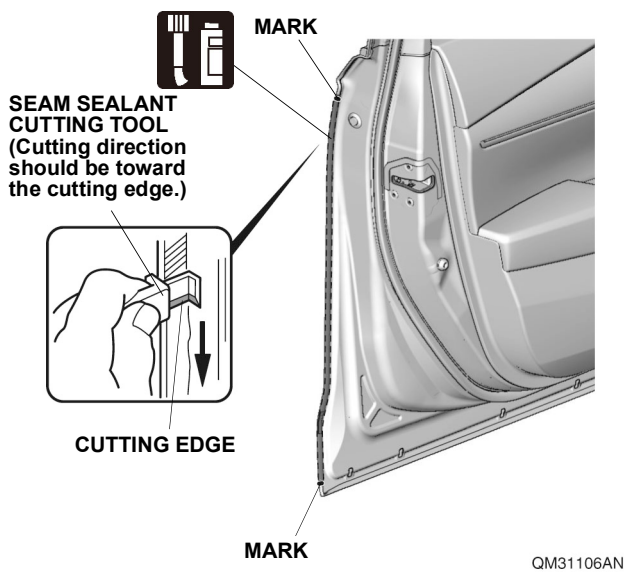
5. Temporarily install the left front door edge guard.



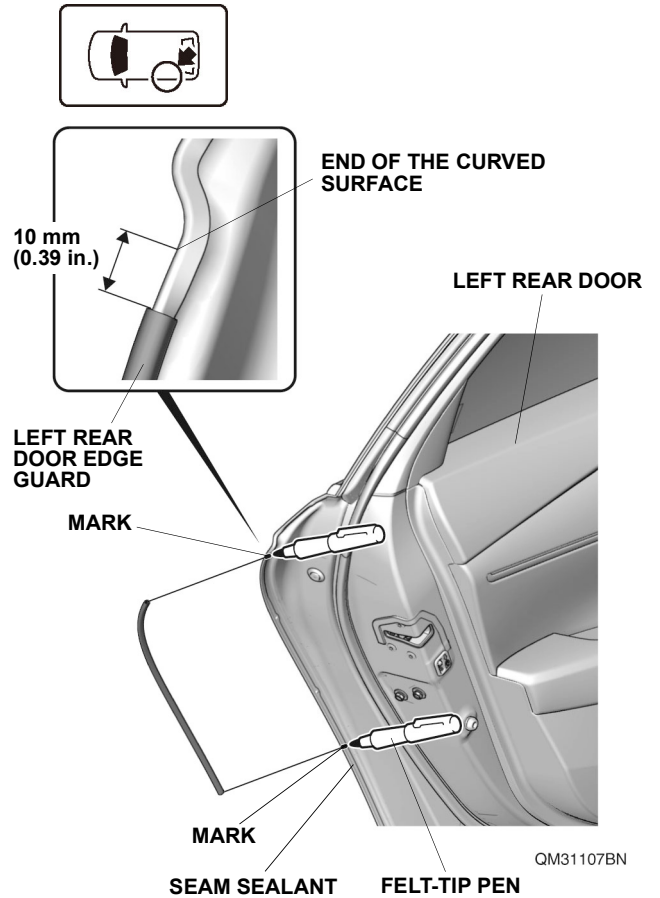
6. Mark the seam sealant.  
7. Remove the left front door edge guard.  
8. Trim the seam sealant.

## NOTE

The cutting tool cuts in only one direction.



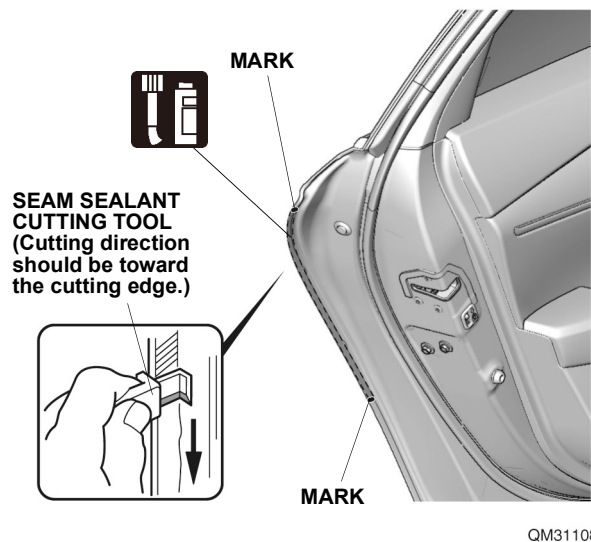
9. Temporarily install the left rear door edge guard.



10. Mark the seam sealant.  
11. Remove the left rear door edge guard.  
12. Trim the seam sealant.

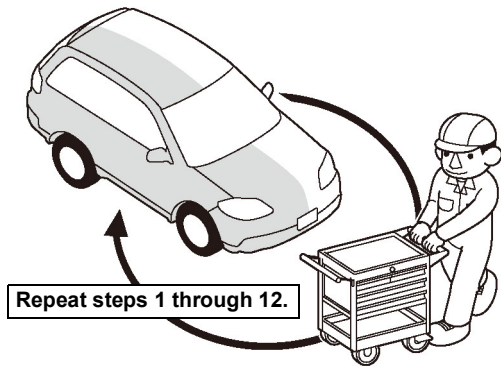
## NOTE

The cutting tool cuts in only one direction.



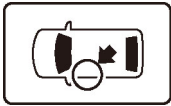
# Germain Honda of College Hills

13. Repeat the same procedures on the other side.



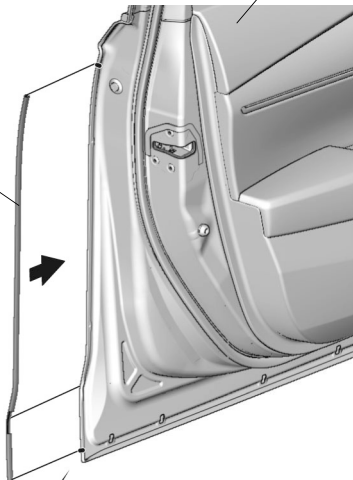
Q9D1014AM

14. Install the left front door edge guard.

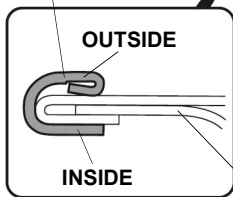


LEFT FRONT DOOR

LEFT FRONT DOOR EDGE GUARD (Line up with the feature line.)



LEFT FRONT DOOR EDGE GUARD



SECTION VIEW

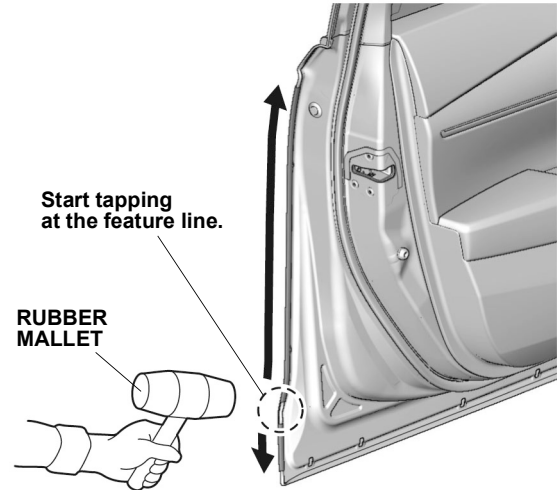
LEFT FRONT DOOR

QM31109BN

15. Secure the left front door edge guard.

## NOTE

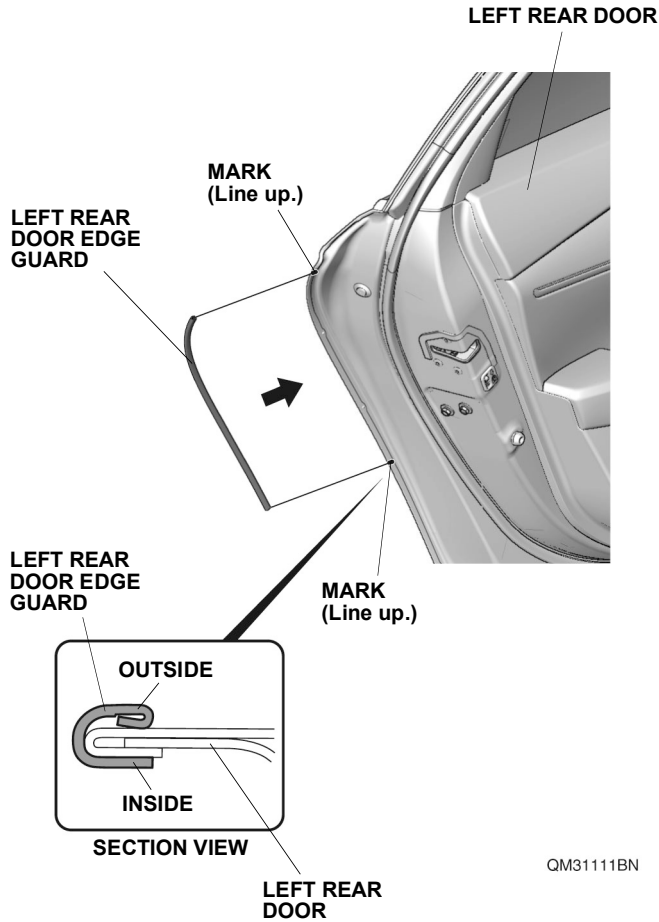
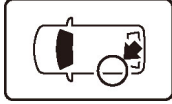
Once in place, do not remove, reposition, or reinstall the door edge guard or it will not hold securely.



QM31110BN

# Germain Honda of College Hills

16. Install the left rear door edge guard.

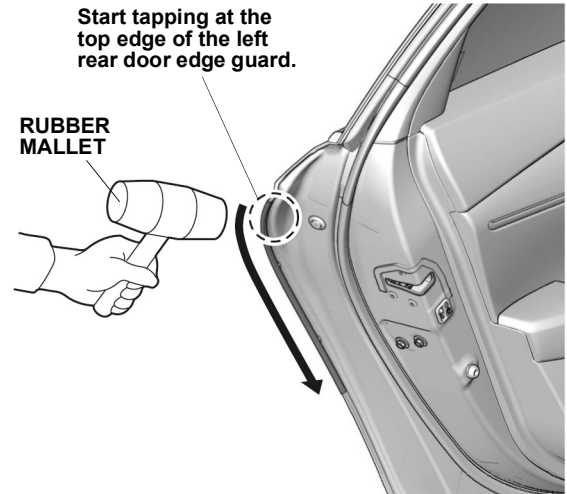


QM31111BN

17. Secure the left rear door edge guard.

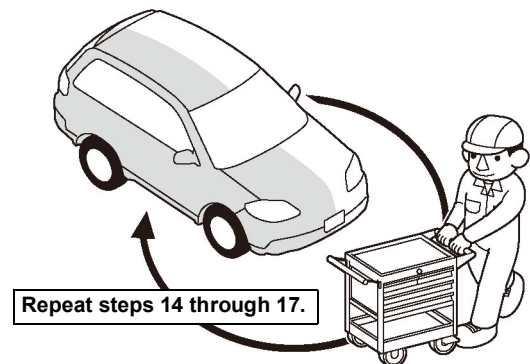
## NOTE

Once in place, do not remove, reposition, or reinstall the door edge guard or it will not hold securely.



QM31112BN

18. Repeat the same procedures on the other side.



Q9D1014AM

19. Check that all parts are installed properly.