

Germain Honda of College Hills



INSTALLATION INSTRUCTIONS

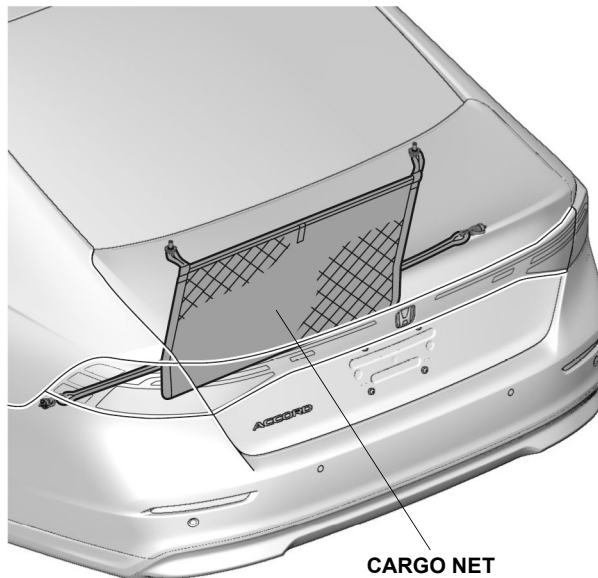
Accessory
CARGO NET

Application
**2023 ACCORD
MODEL SERIES**

Publications No.
VERSION 1

Issue Date
DEC 2022

GENERAL VIEW



QM31501AN

FOR YOUR SAFETY (Read carefully.)

Warning Symbols

Safety: Your safety, and the safety of others, is important. To help you make informed decisions about service procedures, we have provided safety messages where appropriate. Of course, it is not practical or possible to warn you about all the hazards associated with servicing a vehicle - you must use your own good judgment.

You will find important safety messages preceded by one of the following symbols:

*All symbols are not used in all installation instructions.

⚠ DANGER

You will be killed or seriously hurt if you do not follow the instructions.

⚠ WARNING

You can be killed or seriously hurt if you do not follow the instructions.

⚠ CAUTION

You can be hurt if you do not follow the instructions.

NOTICE

Gives advice to prevent damage to the product, vehicle, the environment or other property.

NOTE

Gives helpful information or instructions to be followed when installing this product.



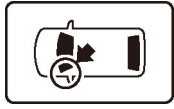
Indicates a prohibited action.

Germain Honda of College Hills

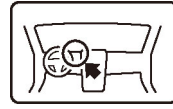
Procedure and Location Icons

These icons indicate the work location and the worker's point of view.

*All icons are not used in all installation instructions.



The location on the vehicle.



The location in the vehicle.
(Instrument panel.)



Wear eye protection.



Wear heavy gloves.



Use an assistant.



Place the part on a blanket.



Work perpendicular.



Remove any burrs.



Use touch-up paint and allow to dry.



Tighten to the specified torque.



Apply firm pressure while rolling, especially at the ends, to set the adhesive.



Press firmly.



Clean with isopropyl alcohol.



Return the original part to the customer.
(Do not reuse.)

Safety: General

- Observe all safety notes and precautions described in the service information, in addition to those described in this Installation Instruction. Be extremely careful for your safety and safety of others.
- Be careful not to damage the vehicle or the parts.
- Be extremely careful when handling retaining tabs and clips.
- Note the locations of the parts before removing them so they can be properly installed in their original positions.
- The illustrations may differ slightly from the actual accessory.

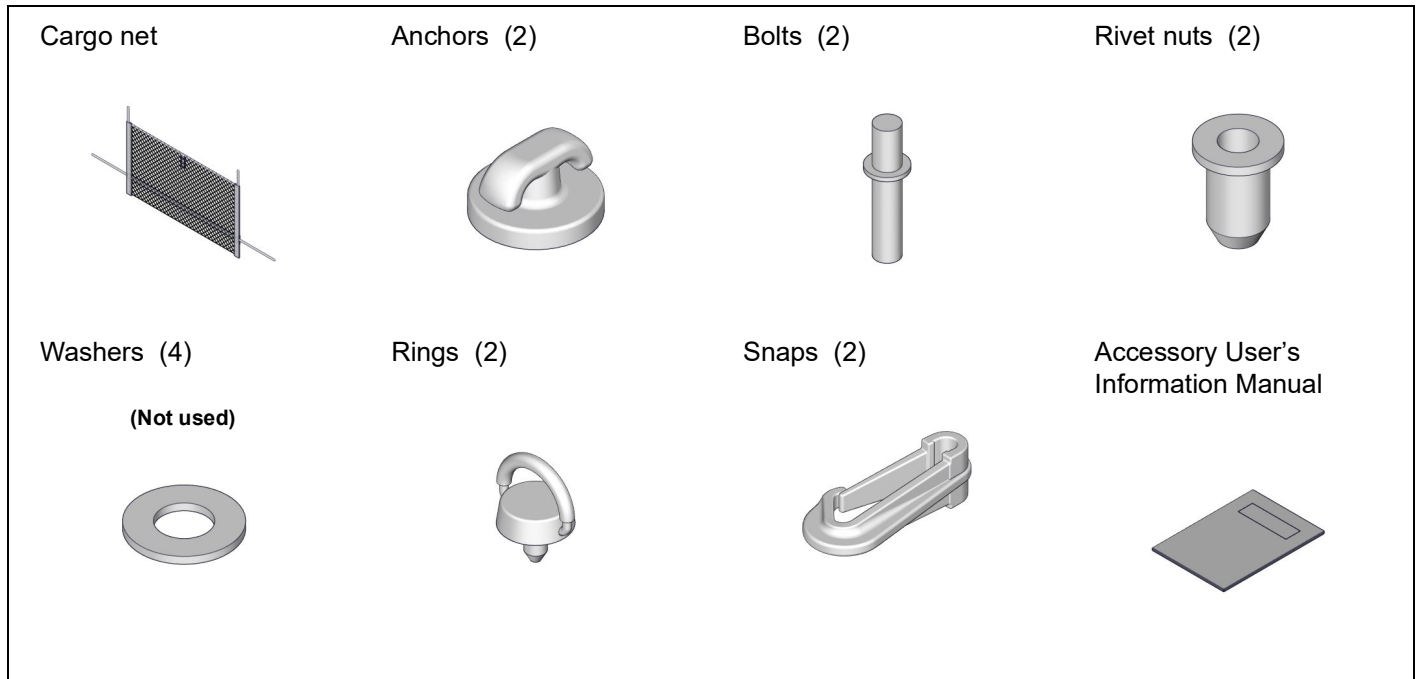
Safety: Accessory

Always use the parts and tools specified in the installation instructions.

Germain Honda of College Hills

PARTS LIST

Cargo Net Kit (P/N 08L96-TVA-100)



REQUIRED TOOLS AND SUPPLIES

- 10 mm Hex wrench
- 8 mm Drill bit
- Eye protection (face shield, safety goggles, etc.)
- 19 mm Open end wrench
- Deburring tool
- Ruler
- Drill
- Touch-up paint
- Masking tape

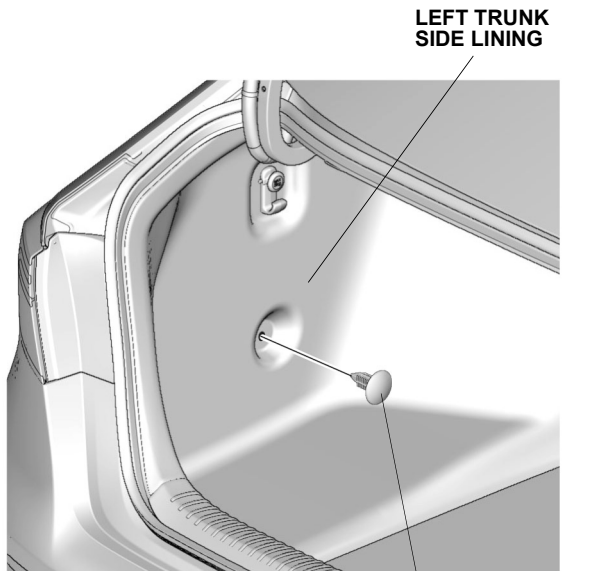
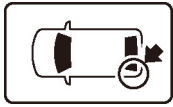
The following tools are available through the Honda Tool and Equipment Program:

- Trim Tool Set (T/N SOJATP2014)
- Plastic Trim Tool (T/N SILTRIMTL10)
- Rivet Nut Tool, 6 mm (T/N 07AAE-000A100)

Germain Honda of College Hills

INSTALLATION

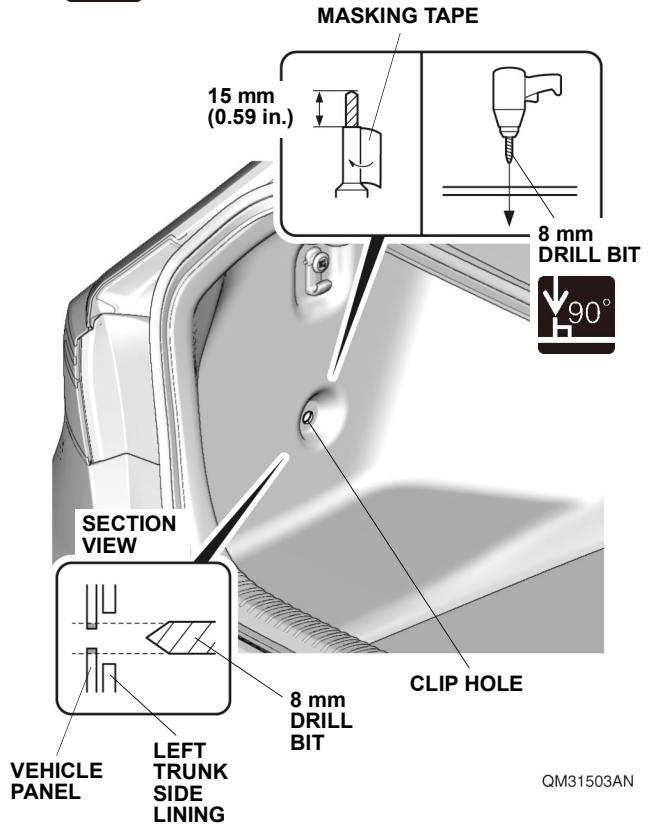
1. Remove the clip.



CLIP QM31502AN



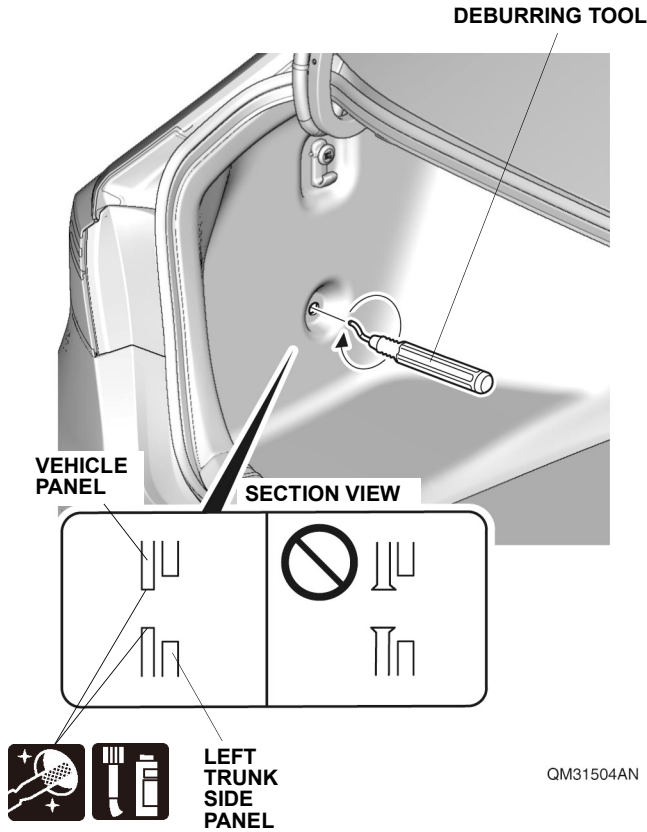
2. Enlarge the vehicle panel hole.



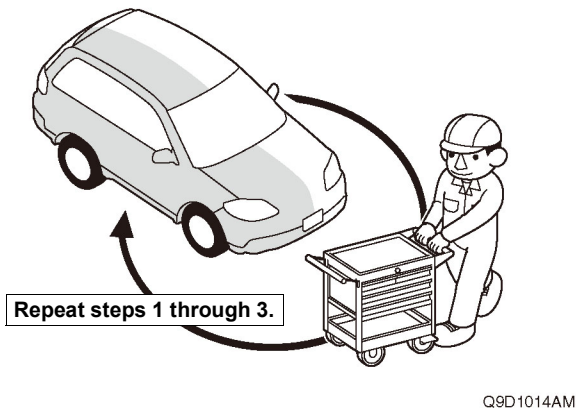
QM31503AN

Germain Honda of College Hills

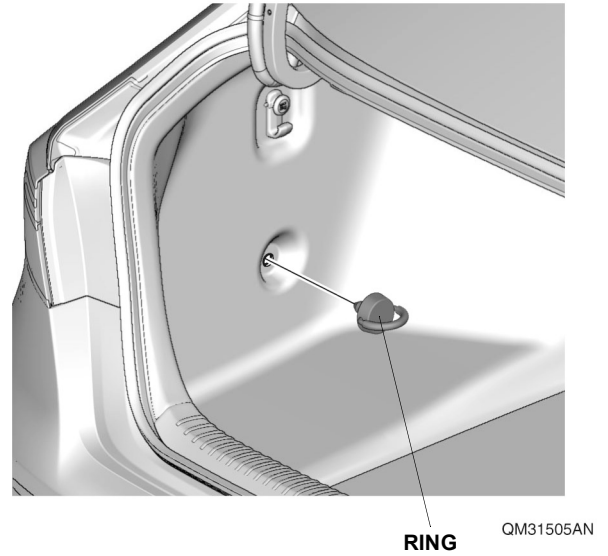
3. Remove the burrs.



4. Repeat the same procedures on the other side.

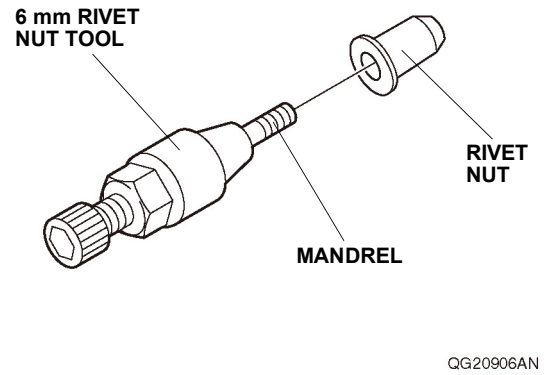


5. Install the ring.



6. Repeat step 5 on the other side.

7. Thread the rivet nut.

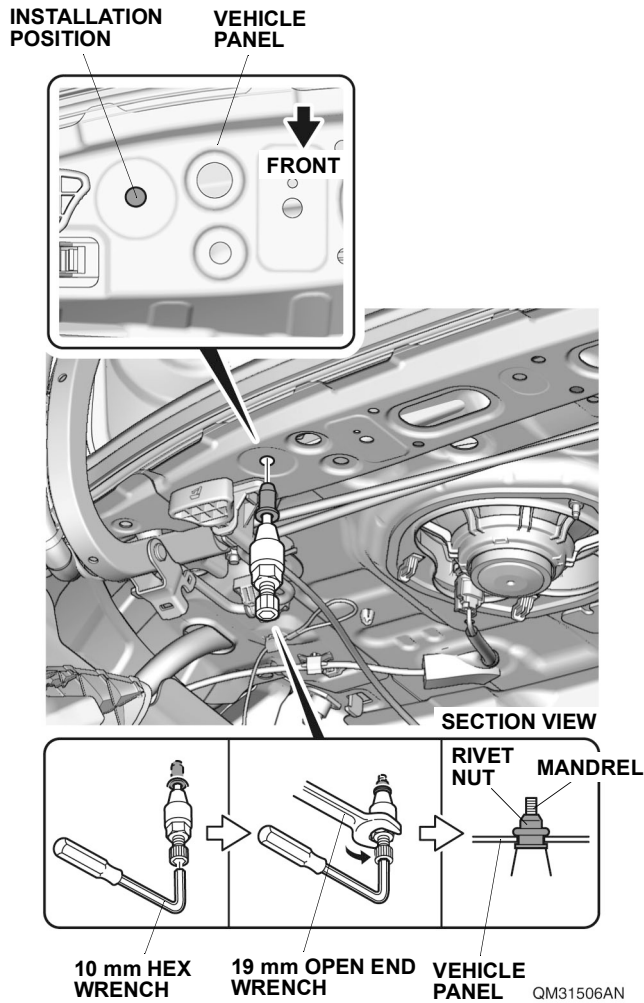


Germain Honda of College Hills

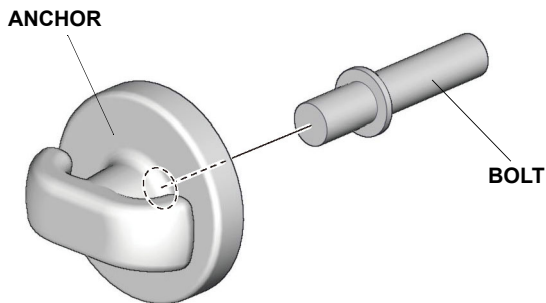
8. Install the rivet nut.

NOTE

Make sure to install the rivet nut in the correct position.



9. Install the bolt.

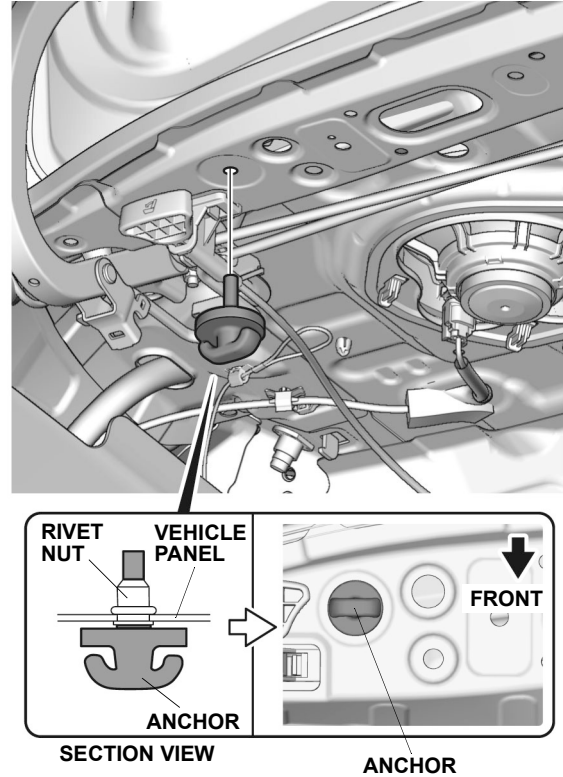


QG20905AN

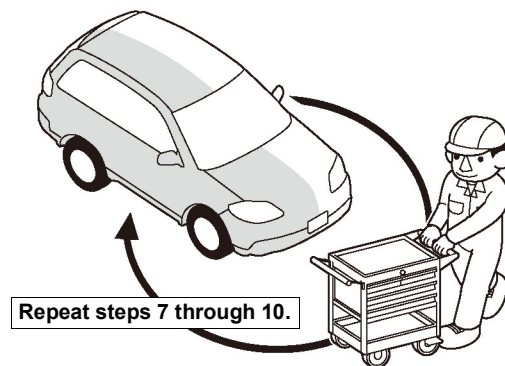
10. Install the anchor.

NOTE

Make sure to install the anchor in the correct orientation.



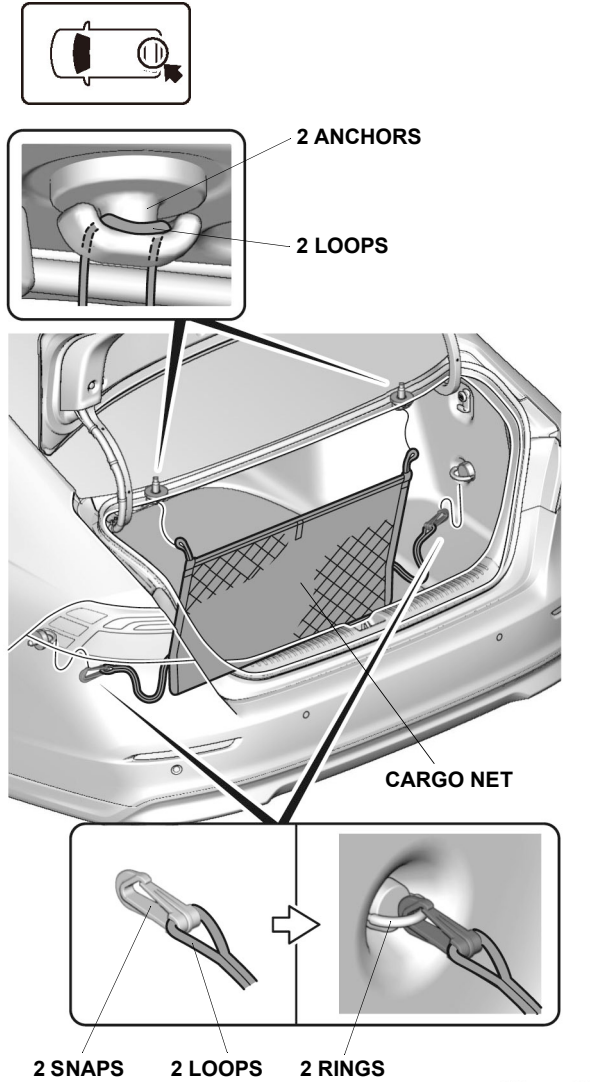
11. Repeat the same procedures on the other side.



Q9D1014AM

Germain Honda of College Hills

12. Install the cargo net.



13. Check that all parts are installed properly.

14. Give the Accessory User's Information Manual to the customer.