

# Germain Honda of College Hills



## INSTALLATION INSTRUCTIONS

Accessory

FRONT UNDER SPOILERS  
P/N 08F01-TVA-100

Application

2022 ACCORD  
2022 ACCORD HYBRID

Publications No.

VERSION 1

Issue Date  
OCT 2021

### PARTS LIST

Left front under spoiler



Right front under spoiler



8 Female clips



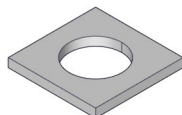
2 Long clips



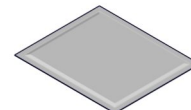
2 Short clips



2 Seals



2 Alcohol wipes



### TOOLS AND SUPPLIES REQUIRED

Phillips screwdriver

Pushpin

Drill

File

10 mm Open end wrench

Masking tape

3 mm, 6 mm, 8 mm, and 10 mm Drill bits

Eye protection (face shield, safety goggles, etc.)

Blanket

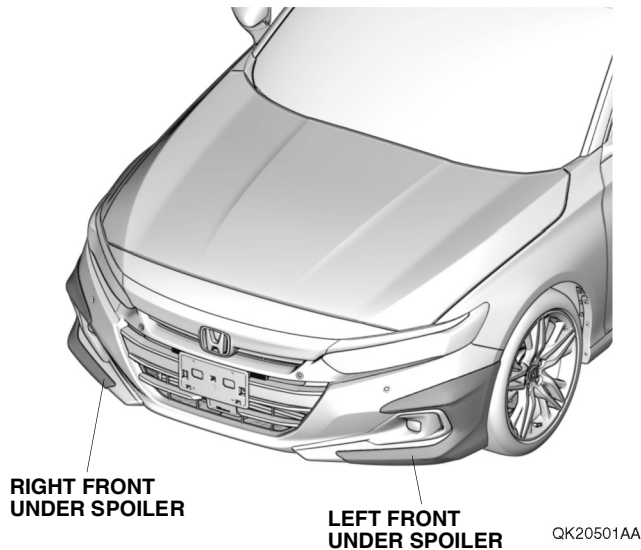
Diagonal cutters

*The following tools are available through the Honda Tool and Equipment Program. On the iN, click on Service > Service Bay > Tool and Equipment Program, then enter the number under "Search." Or, call 888-424-6857.*

- Trim Tool Set (T/N SOJATP2014)
- Plastic Trim Tool (T/N SILTRIMTL10)
- Rubber Roller (T/N MHLE54D)

# Germain Honda of College Hills

## Illustration of the Front Under Spoilers Installed on the Vehicle



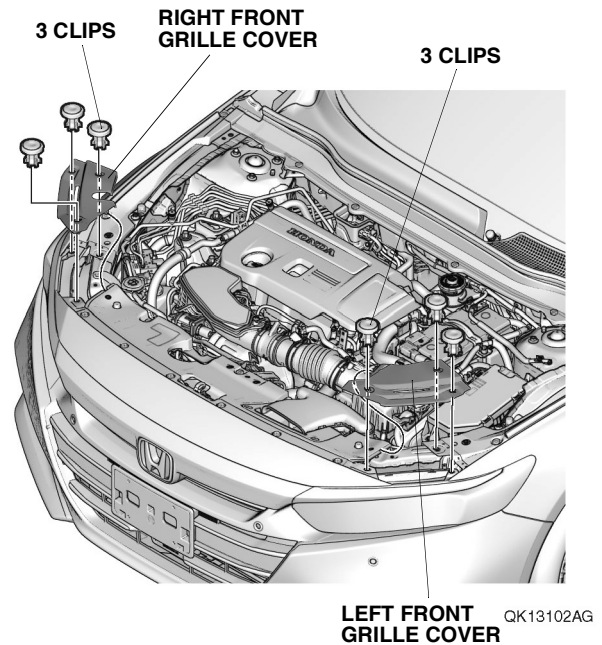
## INSTALLATION

**Customer Information:** The information in this installation instruction is intended for use only by skilled technicians who have the proper tools, equipment, and training to correctly and safely add equipment to your vehicle. These procedures should not be attempted by "do-it-yourselfers."

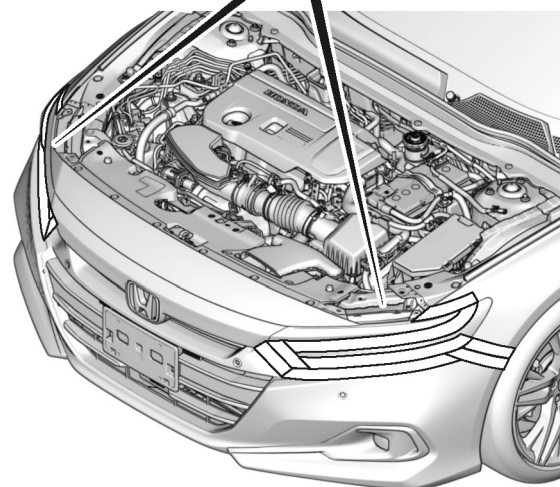
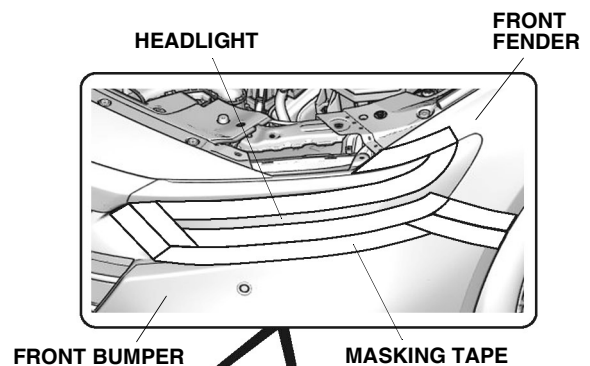
### NOTE:

- Be careful not to damage the body paint finish.
  - This kit should be installed only if the ambient air temperature is 60°F (15°C) or above.
  - To allow the adhesive to cure, do not wash the vehicle for 24 hours. Make sure your customer is aware of this.
1. Disconnect the negative cable from the battery, then wait at least 3 minutes before starting work.

2. Remove the left front grille cover and right front grille cover.

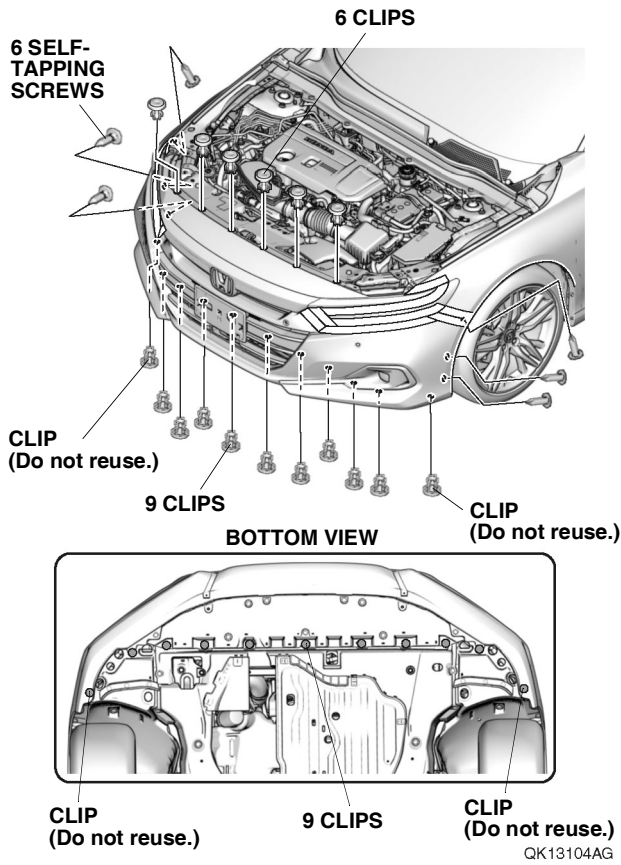


3. Remove the front bumper:
  - Apply masking tape as shown.

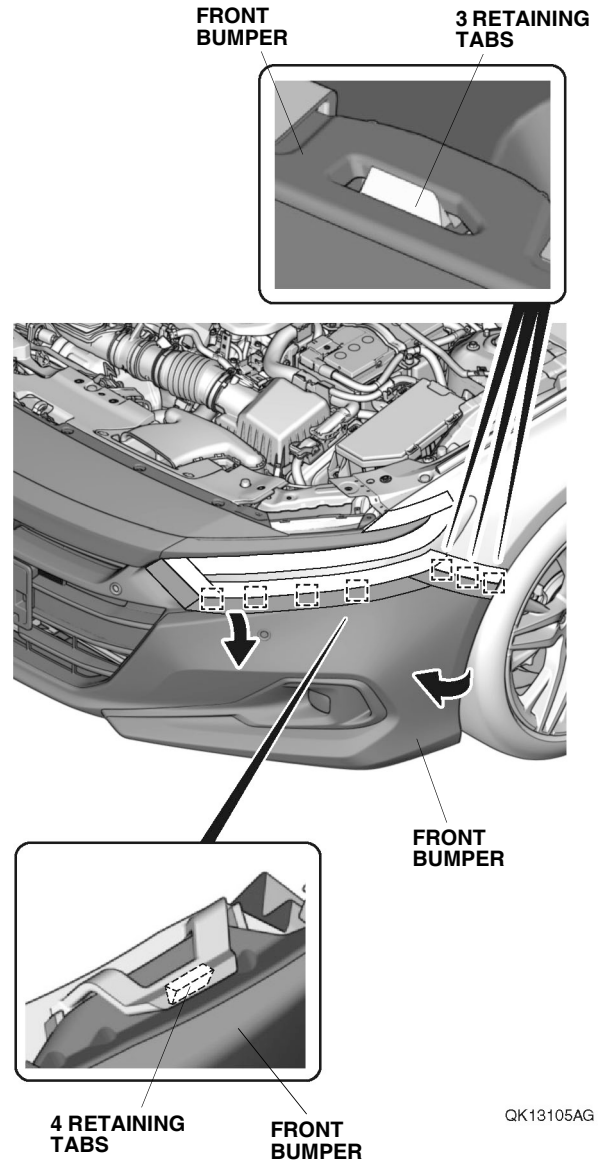


# Germain Honda of College Hills

- Remove the six self-tapping screws and 17 clips as shown.

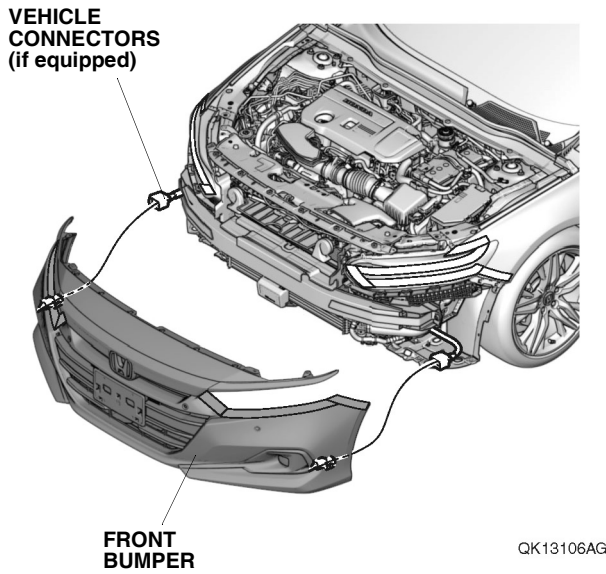


- With the help of an assistant, release the seven retaining tabs on each side.

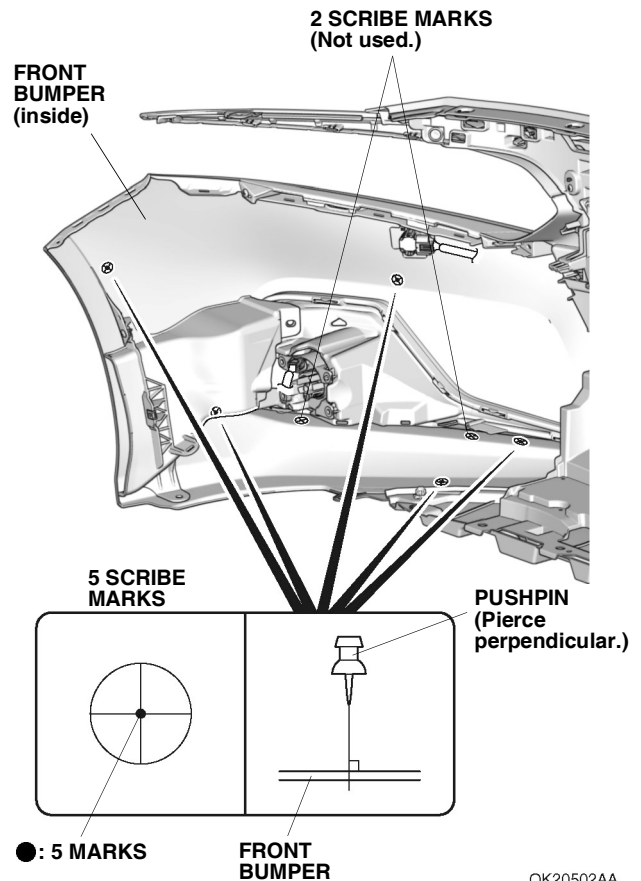


# Germain Honda of College Hills

- With the help of an assistant, remove the front bumper, and unplug the vehicle connectors (if equipped).
- Place the front bumper on a blanket.

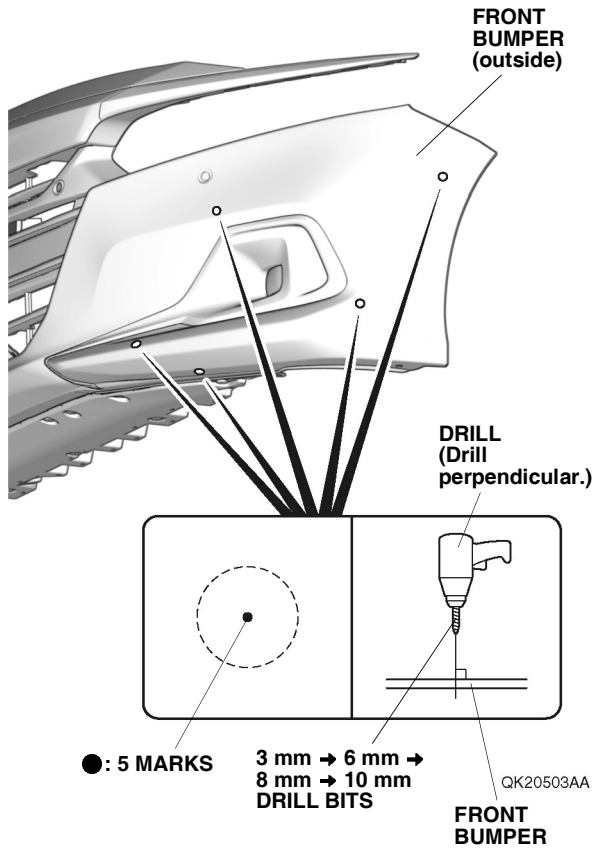


4. Mark the inside of the front bumper:
- Locate the five scribe marks on the inside of the front bumper.
  - Using a pushpin, pierce the front bumper at the five scribe marks.
- NOTE: There are several markings on the inside of the front bumper. Before piercing the front bumper, verify you have the correct locations. Make sure to pierce the scribe marks perpendicular to the front bumper.

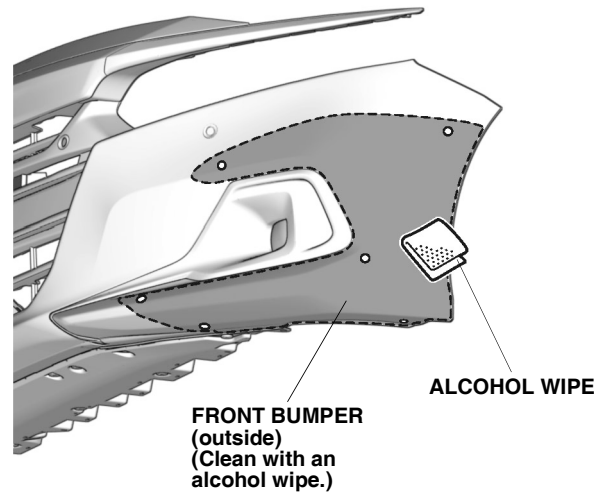


# Germain Honda of College Hills

5. While wearing eye protection, drill the five pierced marks on the front bumper to 10 mm. First, drill with a 3 mm drill bit, next, with a 6 mm drill bit, then with an 8 mm drill bit, and finish with a 10 mm drill bit. Remove any burrs.  
NOTE: Make sure to drill perpendicular to the front bumper.

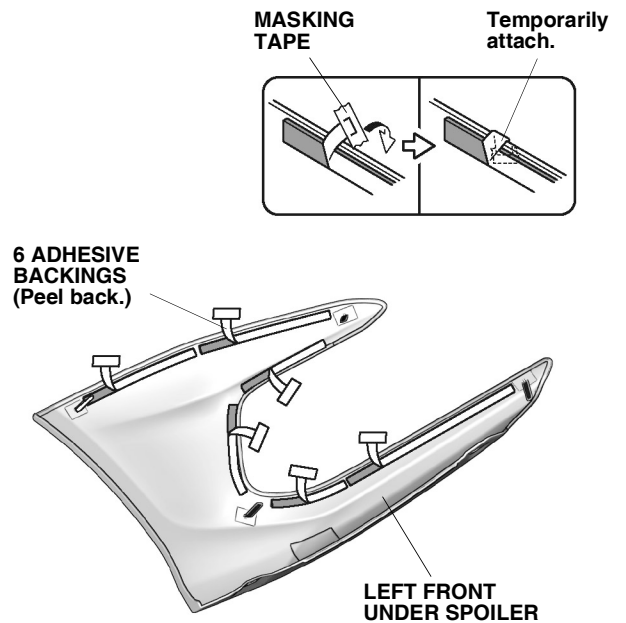


6. Using an alcohol wipe, thoroughly clean the front bumper where the left front under spoiler will attach.



QK20504AA

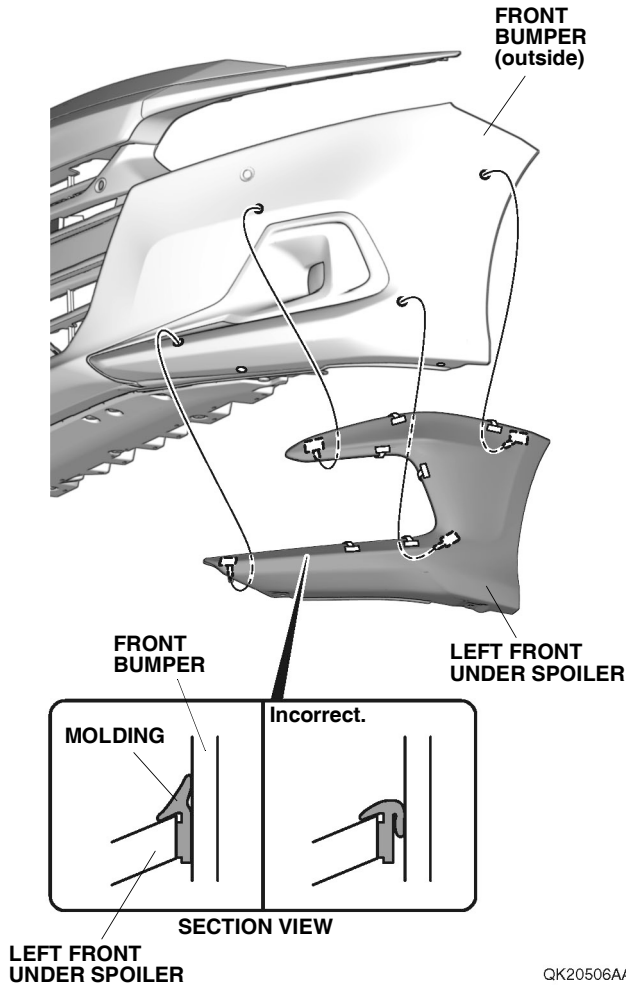
7. Peel back the adhesive backings, and tape them to the front surface of the left front under spoiler with masking tape.



QK20505AA

# Germain Honda of College Hills

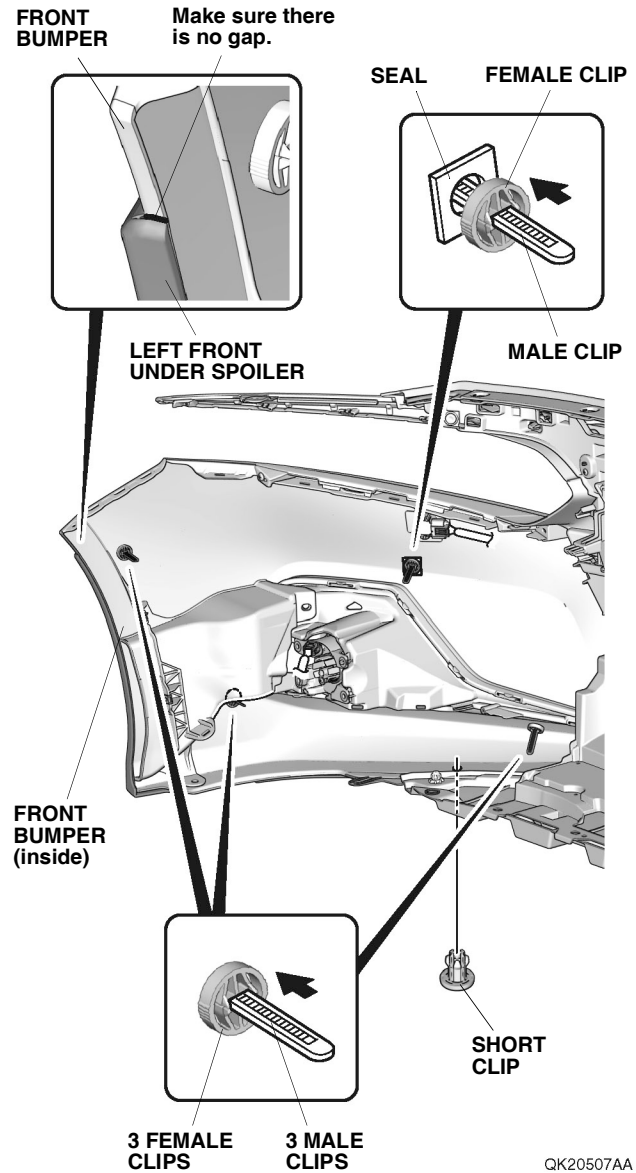
8. Install the left front under spoiler to the front bumper.



9. Secure the left front under spoiler to the front bumper with one short clip and four female clips into each male clip as shown.

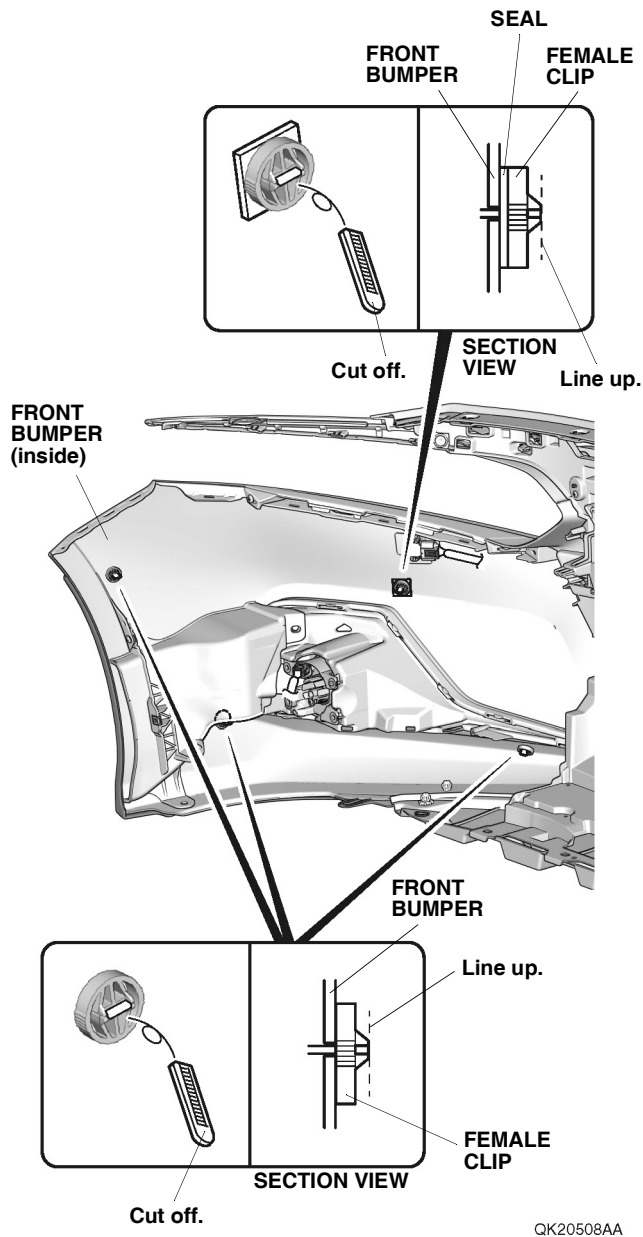
NOTE:

- Make sure to install the female clips in the correct orientation.
- Do not push the female clips too tight; you could deform the left front under spoiler. If necessary, readjust the female clips.

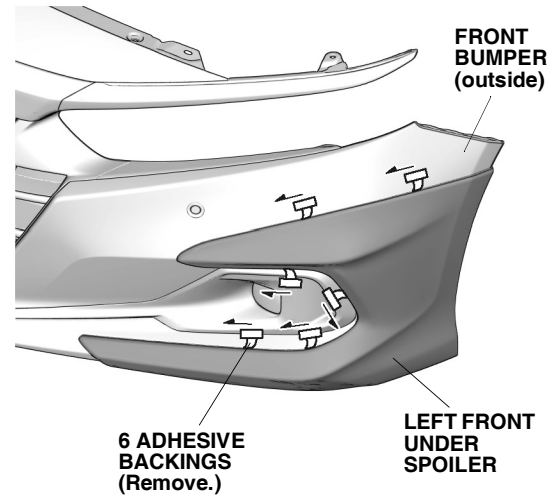


# Germain Honda of College Hills

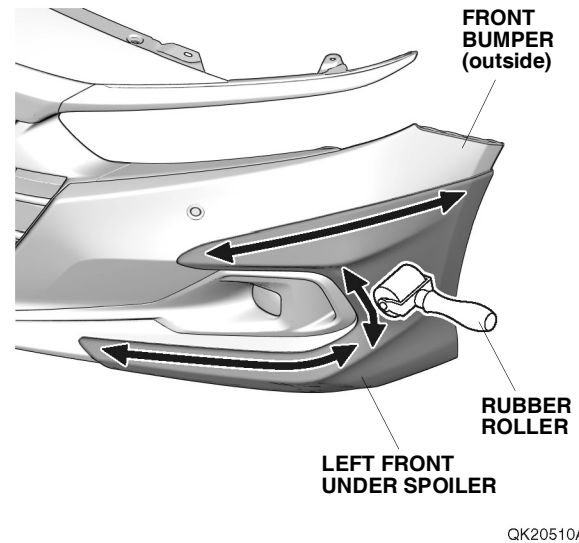
10. Using diagonal cutters, cut off the excess of the male clips.



11. While applying light pressure against the left front under spoiler, carefully remove the adhesive backings.



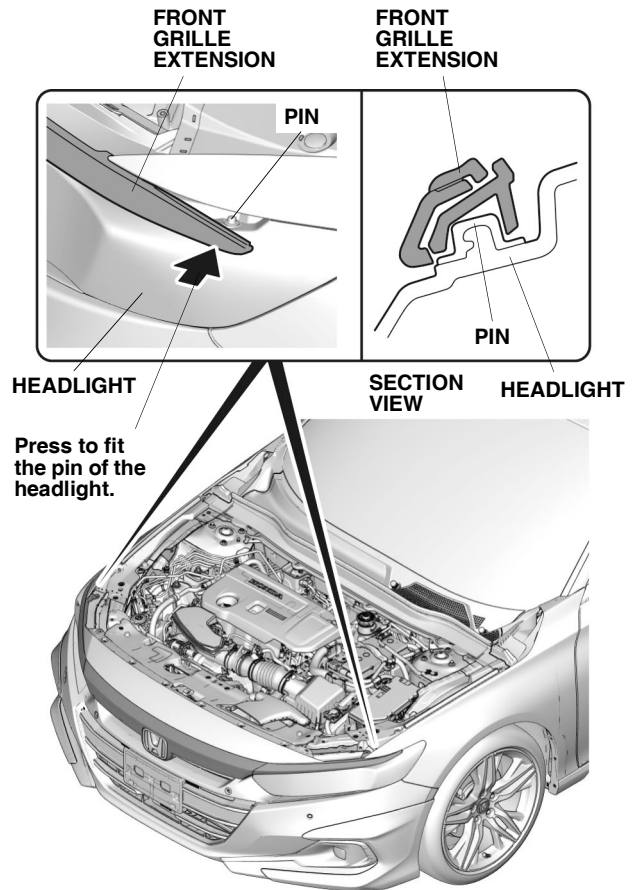
12. Using a rubber roller, apply firm pressure against the left front under spoiler and roll from one end to the other.  
NOTE: Apply firm pressure, especially at the ends.



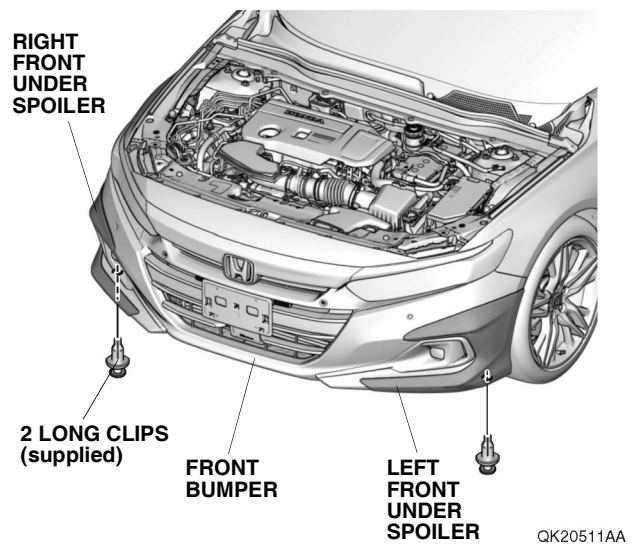
13. Repeat steps 4 through 12 on the right side of the front bumper.

# Germain Honda of College Hills

14. With the help of an assistant, install the front bumper.
15. Check that the left front grille extension and right front grille extension are properly secured to the headlights. If not secured, press the edges of the left front grille extension and right front grille extension to fit the pins of the headlights as shown.



16. Secure the left and right front under spoilers to the front bumper with the two long clips.



17. Check that all wire harnesses are routed properly and all connectors are plugged in.



# Germain Honda of College Hills

18. Connect the negative cable to the battery.
19. Press and hold the audio unit power button for 2 seconds to restore the audio and navi (if equipped) system functions.
20. Set the clock on vehicles without navigation.
21. If necessary, restore the systems back to normal operation as described in the service information.