

# Germain Honda of College Hills



## INSTALLATION INSTRUCTIONS

Accessory  
**BODY SIDE MOLDINGS**  
 P/N 08P05-TVA-101

Application  
**2022 ACCORD**

Publications No.  
**VERSION 1**  
 Issue Date  
**OCT 2021**

### PARTS LIST

Left front body side molding



Right front body side molding



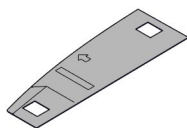
Left rear body side molding



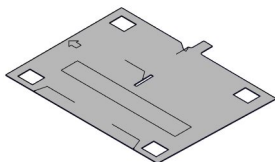
Right rear body side molding



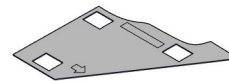
Front template



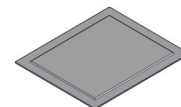
Middle template



Rear template



4 Alcohol wipes

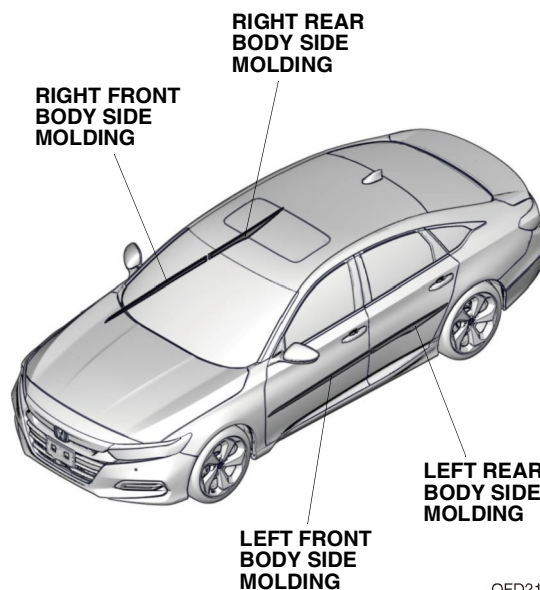


### TOOLS AND SUPPLIES REQUIRED

Masking tape

*The following tool is available through the Hondo Tool and Equipment Program. On the iN, click on Service > Service Bay > Tool and Equipment Program, then enter the number under "Search." Or, call 888-424-6857.*  
 Rubber Roller (T/N MHLE54D)

### Illustration of the Body Side Moldings on the Vehicle



QFD2101AC

# Germain Honda of College Hills

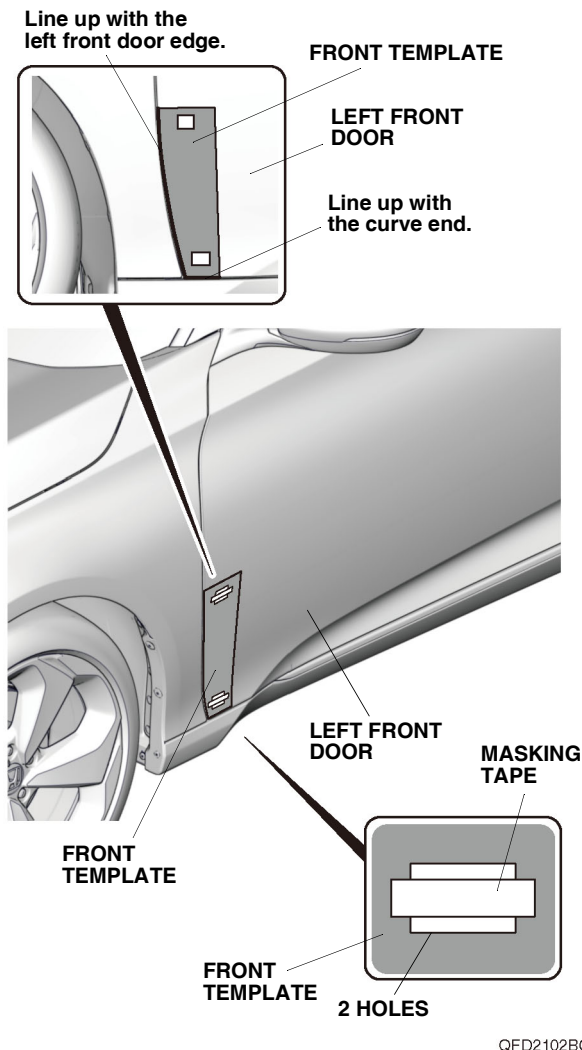
## INSTALLATION

**Customer Information:** The information in this installation instruction is intended for use only by skilled technicians who have the proper tools, equipment, and training to correctly and safely add equipment to your vehicle. These procedures should not be attempted by “do-it-yourselfers.”

### NOTE:

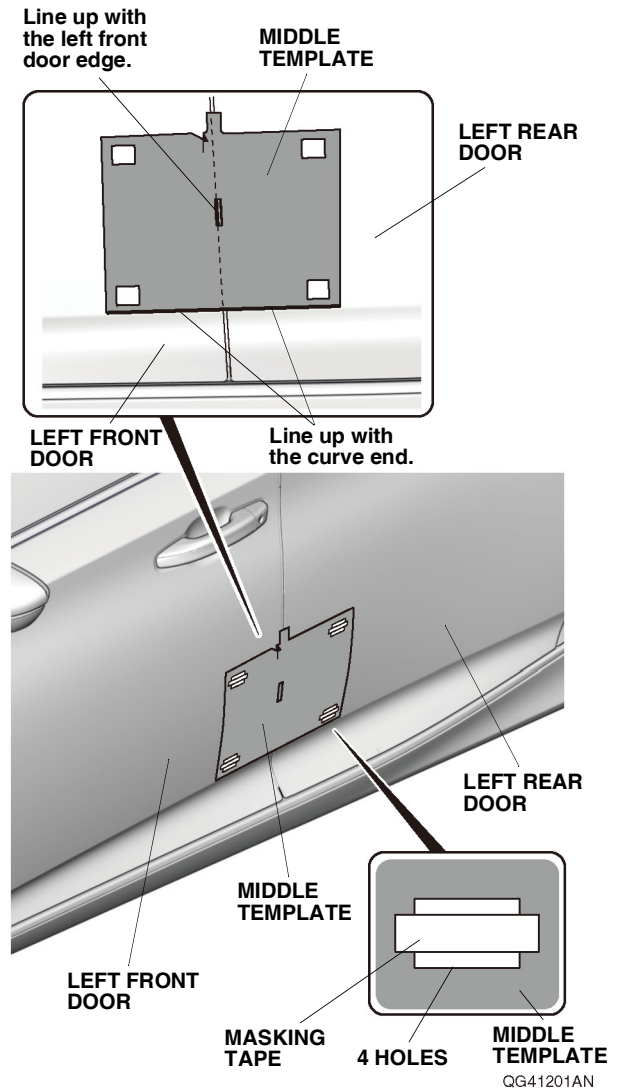
- If you are also installing door edge guards (sold separately), install them after you install the body side moldings.
- Do not damage the body paint finish.
- This kit should be installed only if the ambient air temperature is 60°F (15°C) or above.
- To allow the adhesive to cure, do not wash the vehicle for 24 hours. Make sure the customer is aware of this.

1. Line up the front template with the left front door edge and curve end. Tape the front template to the left front door with masking tape as shown.



QFD2102BC

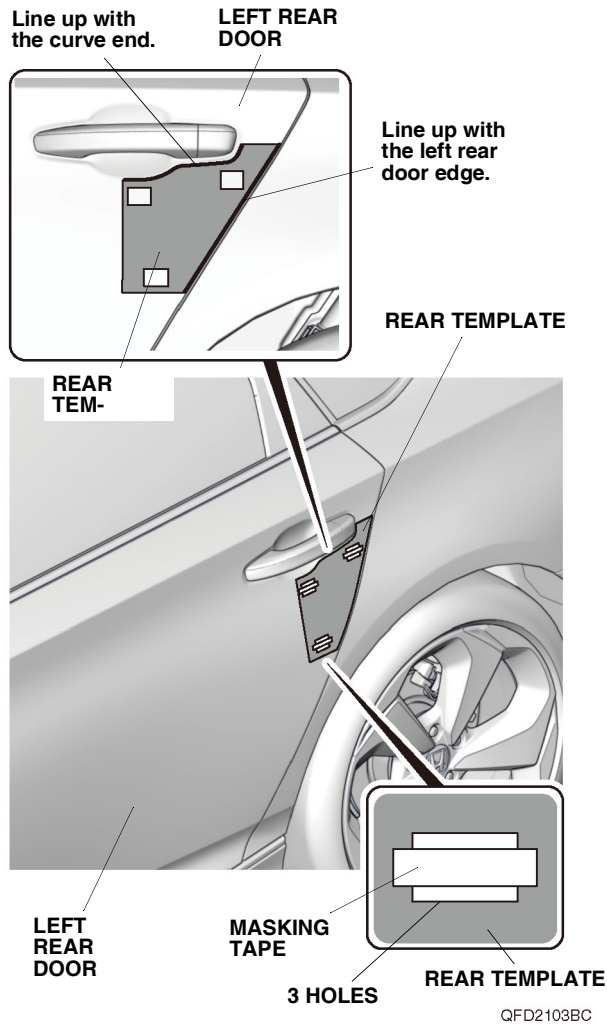
2. Line up the middle template with the left front door edge and curve end. Tape the middle template to the left front door and left rear door with masking tape as shown.



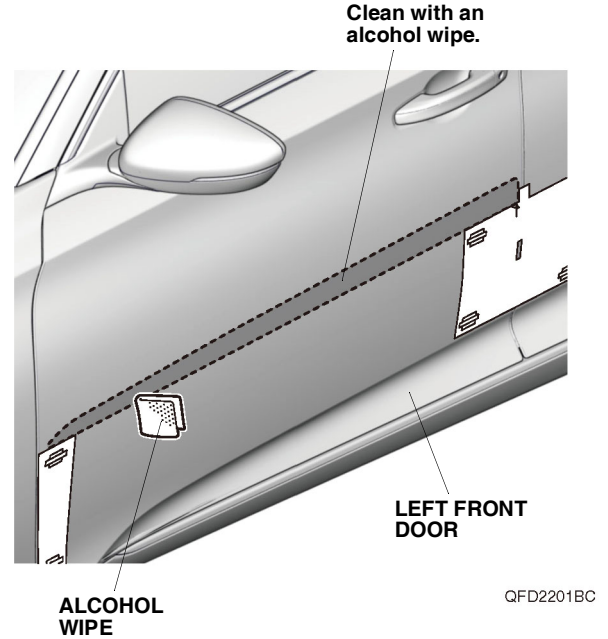
QG41201AN

# Germain Honda of College Hills

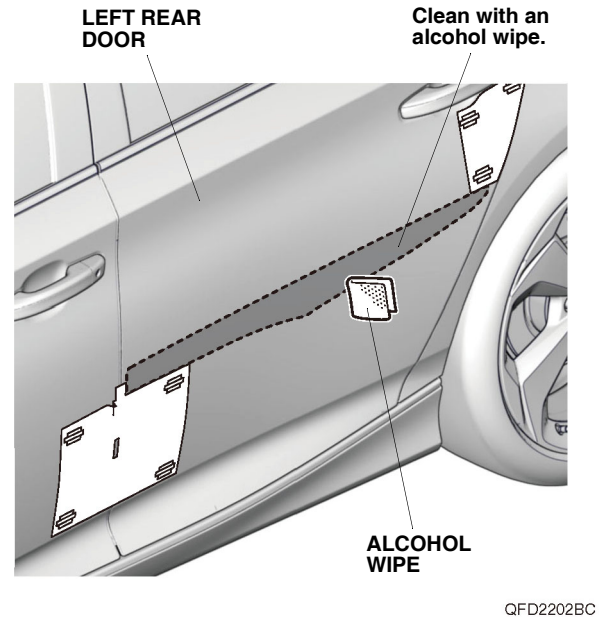
- Line up the rear template with the left rear door edge and curve end. Tape the rear template to the left rear door with masking tape as shown.



- Using an alcohol wipe, thoroughly clean the left front door where the left front body side molding will attach.

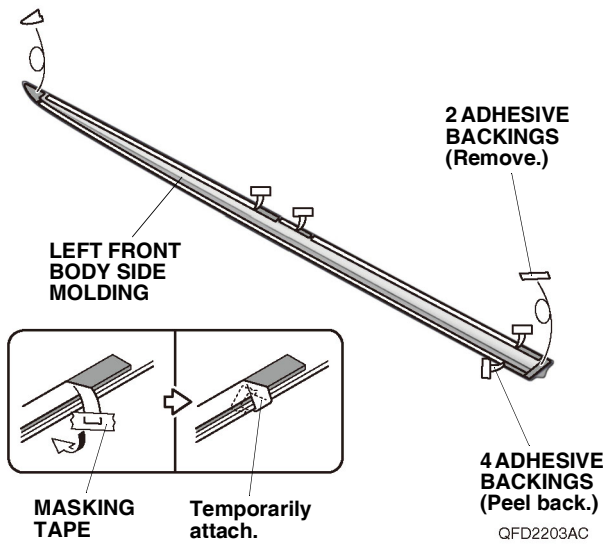


- Using an alcohol wipe, thoroughly clean the left rear door where the left rear body side molding will attach.



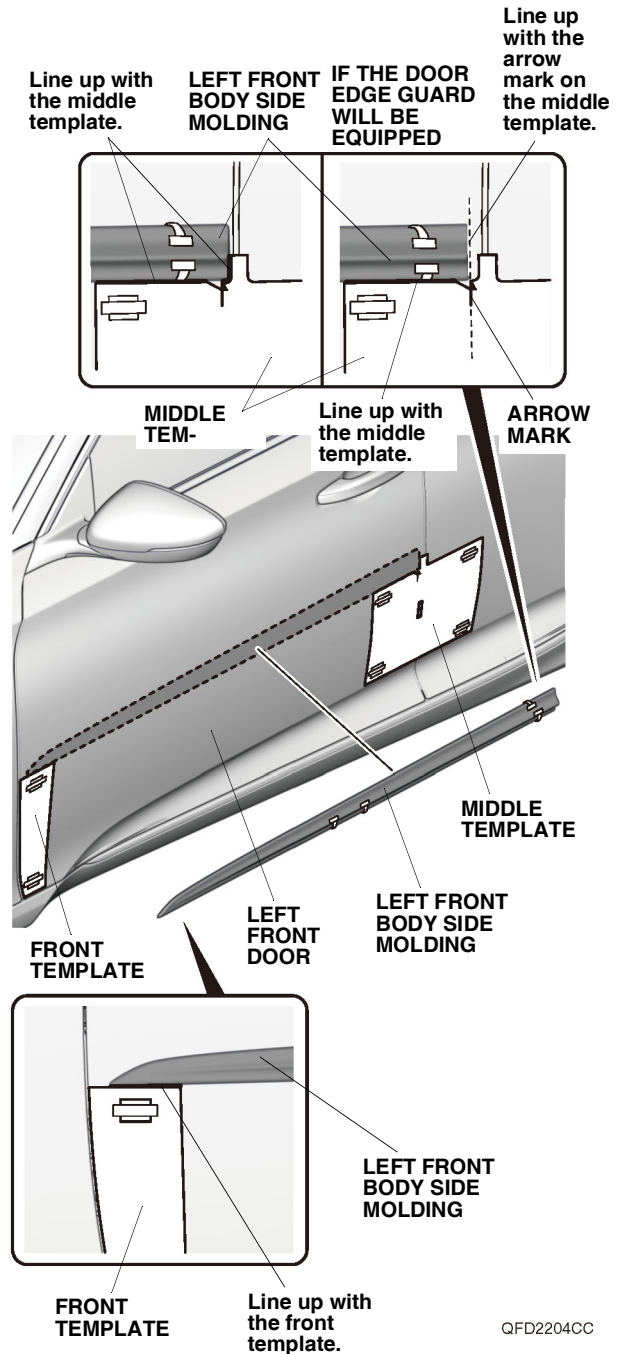
# Germain Honda of College Hills

6. Peel back the adhesive backings, and tape them to the front surface of the left front body side molding with masking tape. Remove the remaining adhesive backings.



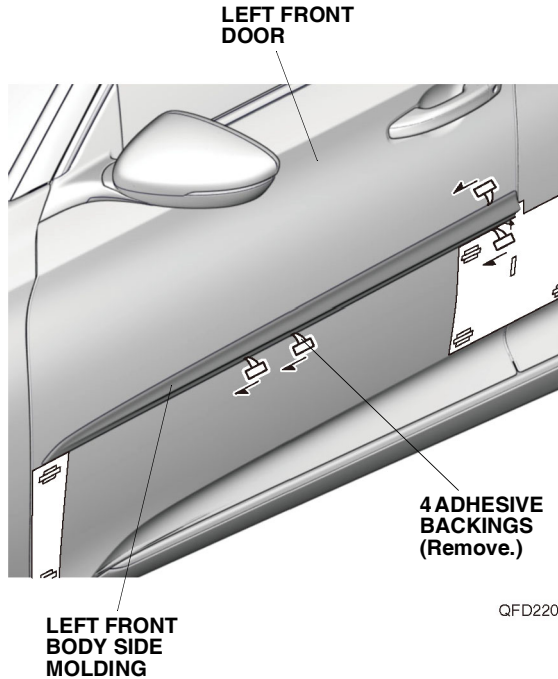
7. Line up the left front body side molding with the front template and middle template, and attach it to the left front door as shown.

NOTE: If the vehicle will be equipped with a door edge guard, attach the left front body side molding at the arrow mark on the middle template shown.



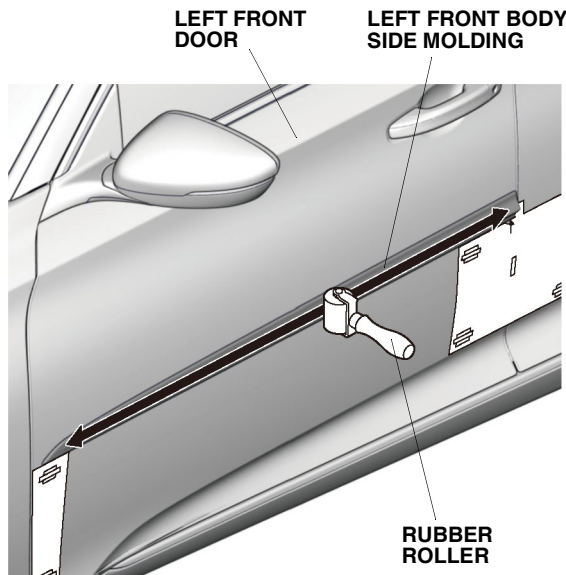
# Germain Honda of College Hills

8. While applying light pressure against the left front body side molding, carefully remove the taped adhesive backings.



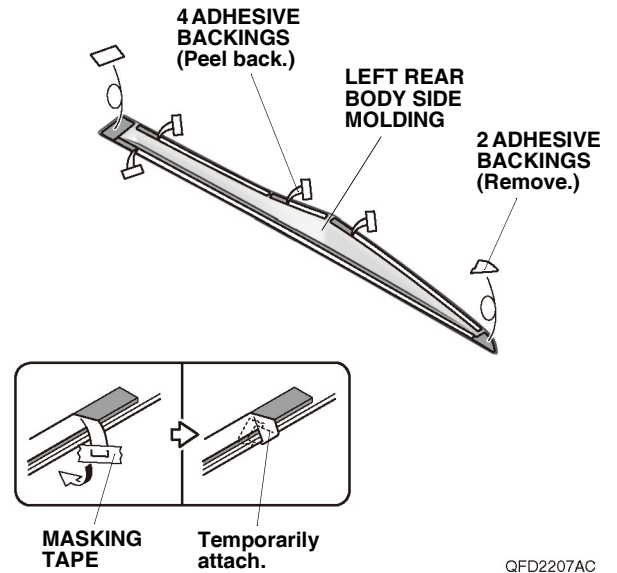
QFD2205BC

9. Using a rubber roller, apply firm pressure against the left front body side molding and roll from one end to the other.  
NOTE: Apply firm pressure, especially at the ends.



QFD2206BC

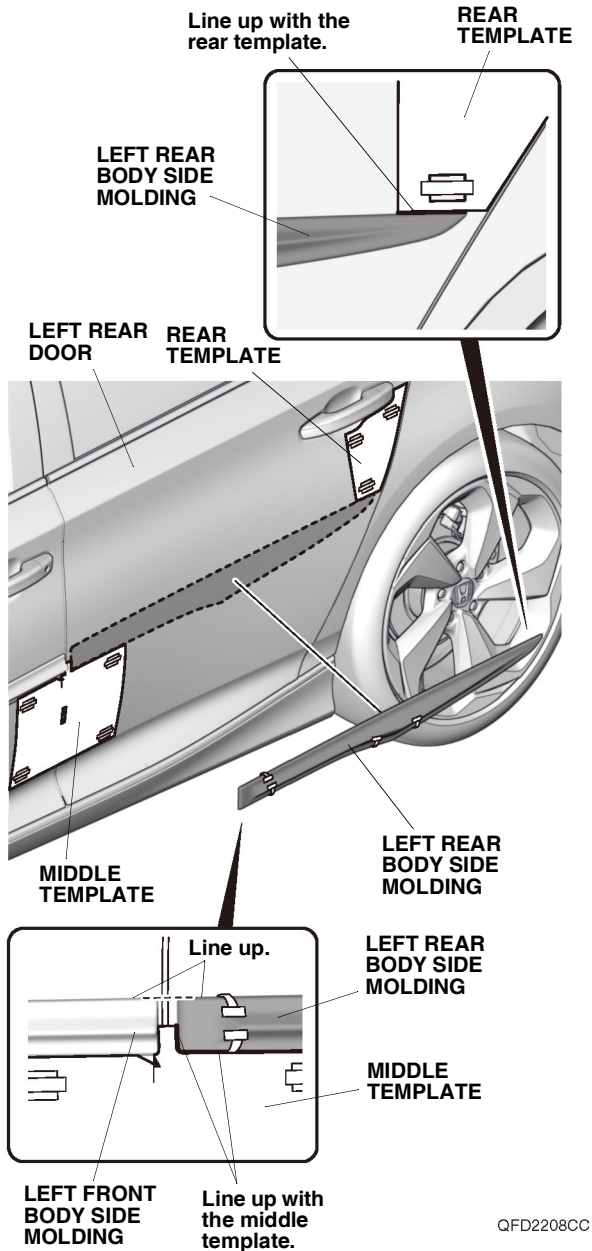
10. Peel back the adhesive backings, and tape them to the front surface of the left rear body side molding with masking tape. Remove the remaining adhesive backings.



QFD2207AC

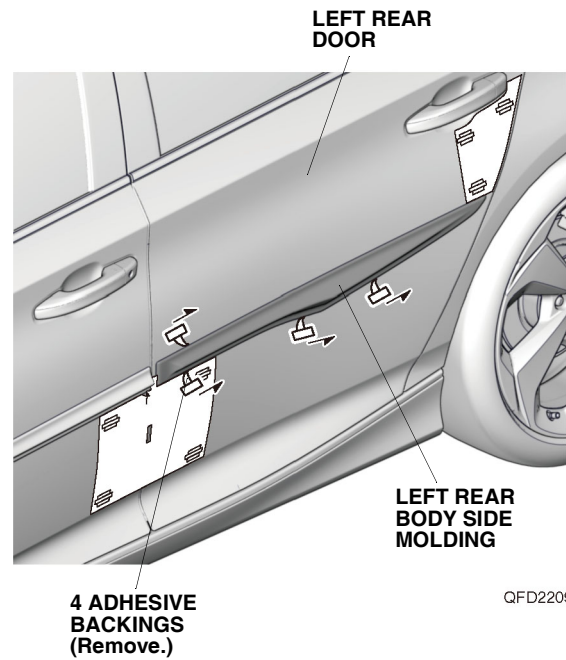
# Germain Honda of College Hills

- Line up the left rear body side molding with the middle template and rear template, and attach it to the left rear door as shown.

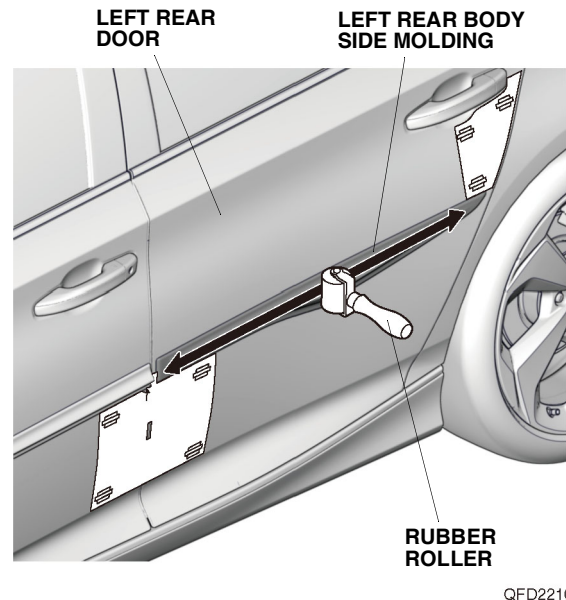


- Make sure the edges of the left front body side molding and left rear body side molding are lined up.

- While applying light pressure against the left rear body side molding, carefully remove the taped adhesive backings.



- Using a rubber roller, apply firm pressure against the left rear body side molding and roll from one end to the other. Remove the templates. **NOTE:** Apply firm pressure, especially at the ends.



- Turn the templates over, and repeat steps 1 through 14 on the right side of the vehicle.