



## INSTALLATION INSTRUCTIONS

Accessory	Application	Publications No.
DOOR VISORS P/N 08R04-TVA-100	2021 ACCORD	VERSION 1
		Issue Date SEP 2020

### PARTS LIST

Left front door visor



Right front door visor



Left rear door visor



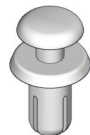
Right rear door visor



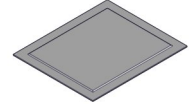
8 Brackets



8 Clips



4 Alcohol wipes



### TOOLS AND SUPPLIES REQUIRED

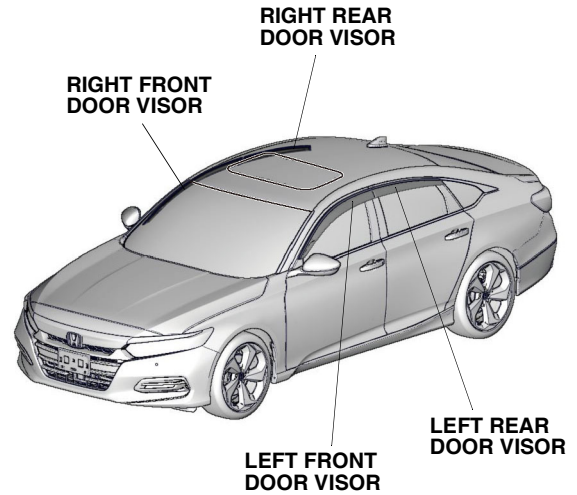
Masking tape

Ruler

Tape measure

Soft towel

### Illustration of the Door Visors on the Vehicle



QG20201AN

## INSTALLATION

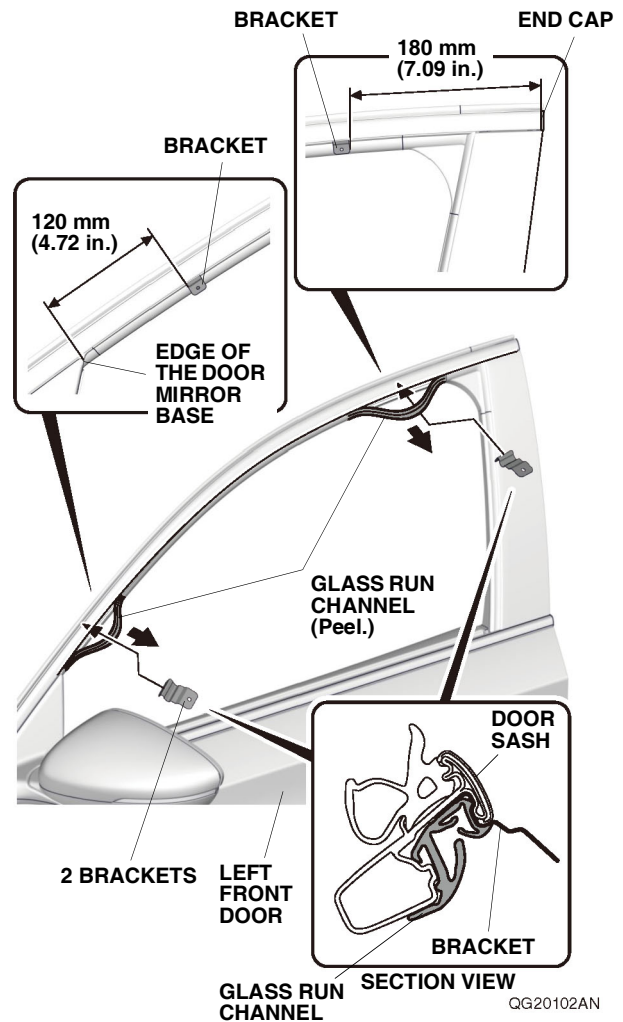
**Customer Information:** The information in this installation instruction is intended for use only by skilled technicians who have the proper tools, equipment, and training to correctly and safely add equipment to your vehicle. These procedures should not be attempted by “do-it-yourselfers.”

### NOTE:

- Be careful not to damage the body paint finish and glass run channels when installing the door visors.
- Handle the door visors with care. They are not designed to absorb shock or impact.
- This kit should be installed only if the ambient air temperature is 15°C (60°F) or above.
- To allow the adhesive to cure, do not wash the vehicle for 24 hours. Make sure the customer is aware of this.

## Installing the Front Door Visor

1. Fully open the left front door glass.

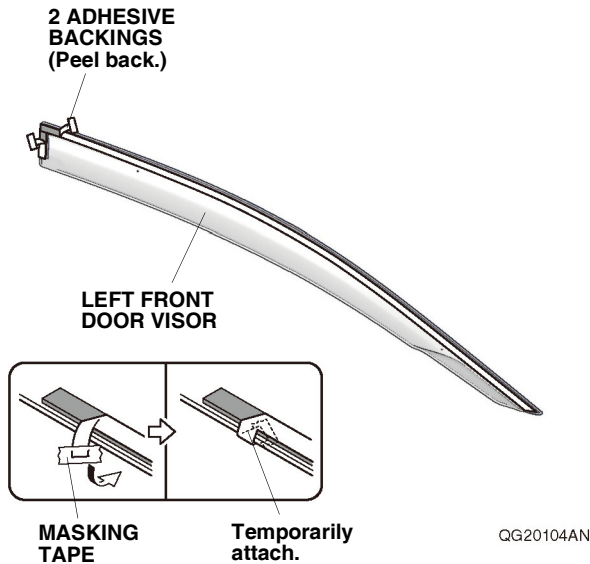


2. Peel the glass run channel as shown.
  3. Install the two brackets between the door sash and the glass run channel as shown. Seat the glass run channel properly around the brackets.
- NOTE:** Confirm the two brackets are installed on the door sash as shown. Check that the glass run channel is seated properly.

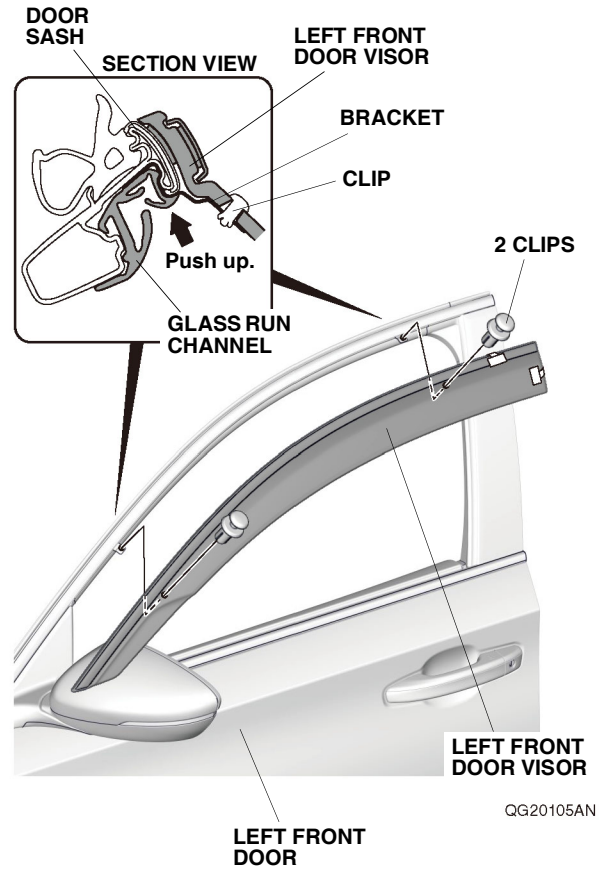
4. Use an alcohol wipe to thoroughly clean the area where the left front door visor will attach.



5. Peel back the adhesive backings, and tape them to the front surface of the left front door visor with masking tape.

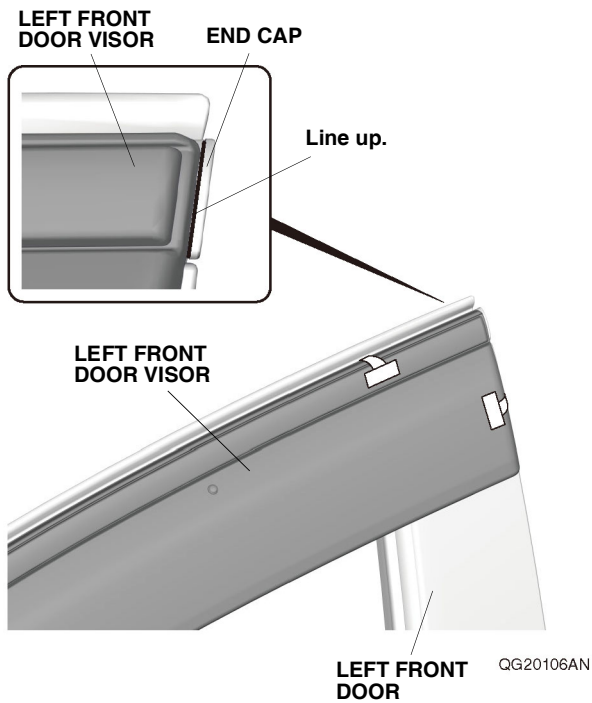


6. Adjust the two brackets so the holes line up with the two holes in the left front door visor.

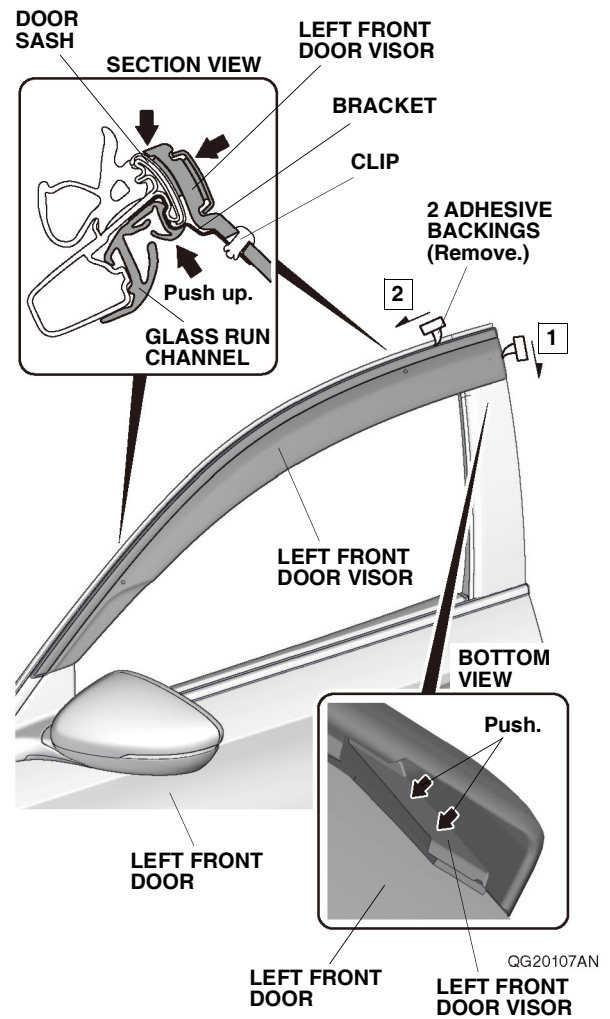


7. Using the two clips, secure the left front door visor to the brackets as shown. Make sure to push up on the brackets while installing the two clips. **NOTE:** Be extremely careful when installing the clips; they cannot be reinstalled after installation.

8. Adjust the position of the left front door visor as shown.



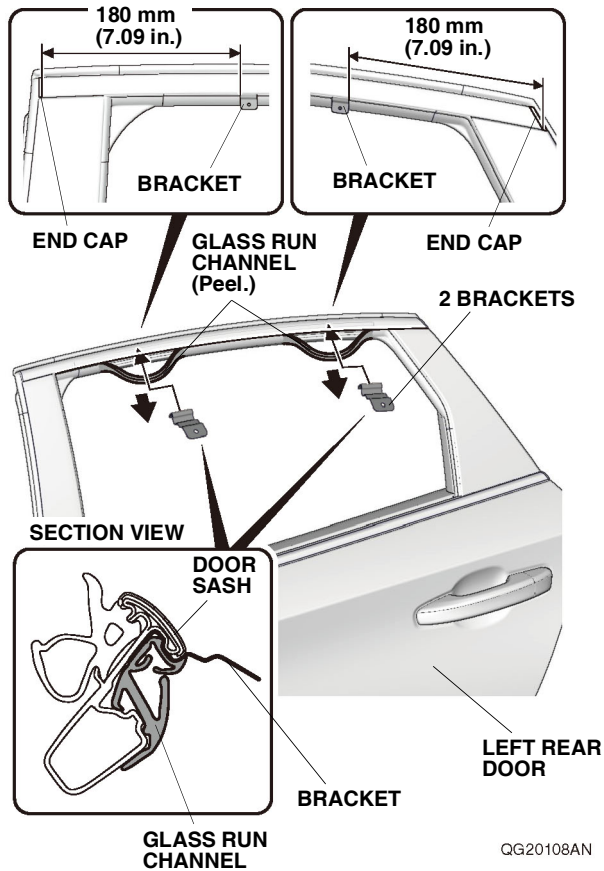
9. While applying light pressure against the left front door visor, carefully remove the taped adhesive backings in the order shown.  
NOTE: Make sure to push up on the brackets while removing the adhesive backings.



10. Using a soft towel, press and hold the left front door visor against the door sash and left front door for 30 seconds.

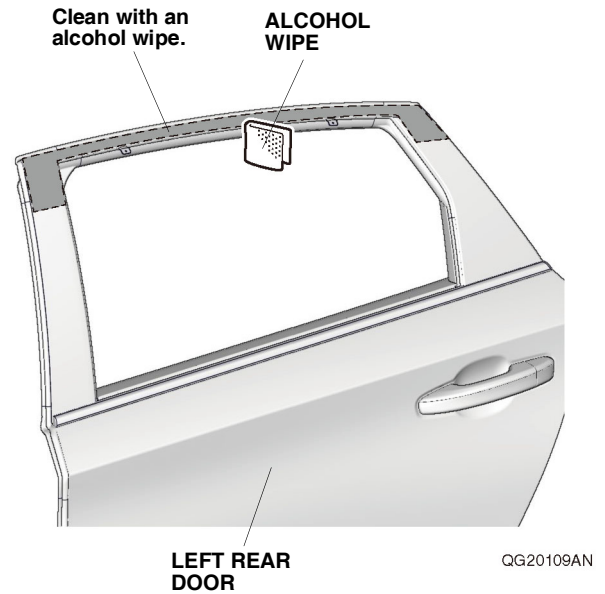
## Installing the Rear Door Visor

11. Fully open the left rear door glass.

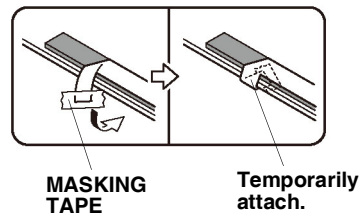


12. Peel the glass run channel as shown.
13. Install the two brackets between the door sash and the glass run channel as shown. Seat the glass run channel properly around the brackets.
- NOTE:** Confirm the two brackets are installed on the door sash as shown. Check that the glass run channel is seated properly.

14. Use an alcohol wipe to thoroughly clean the area where the left rear door visor will attach.

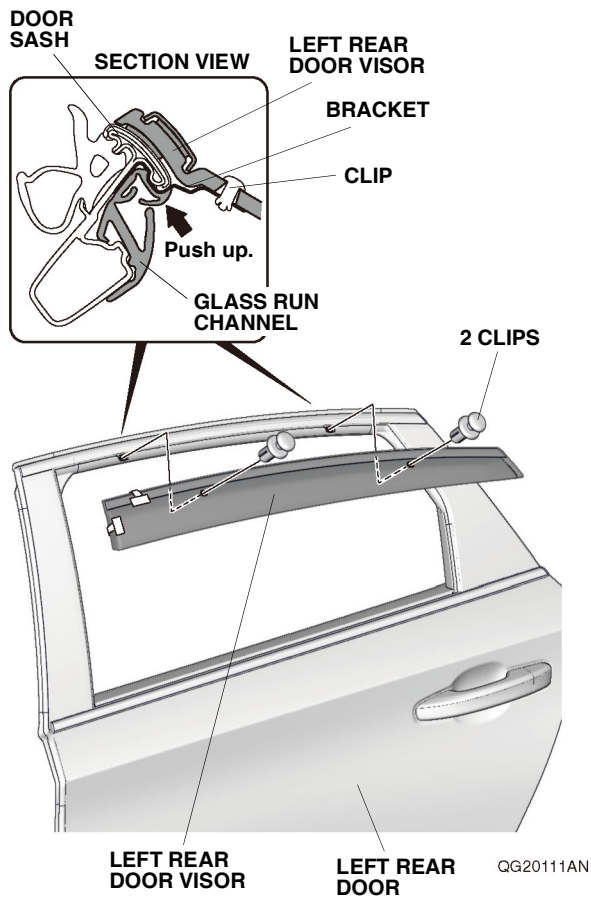


15. Peel back the adhesive backings, and tape them to the front surface of the left rear door visor with masking tape. Remove the remaining adhesive backing.



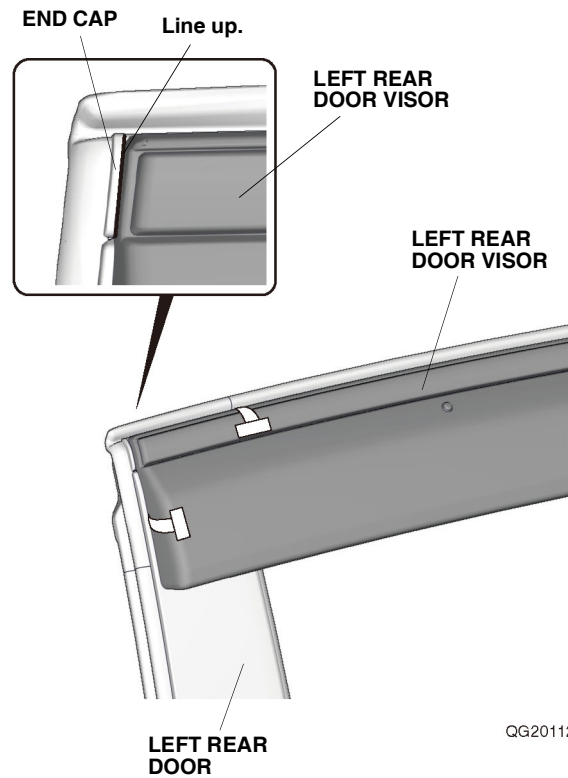
QG20110AN

16. Adjust the two brackets so the holes line up with the two holes in the left rear door visor.

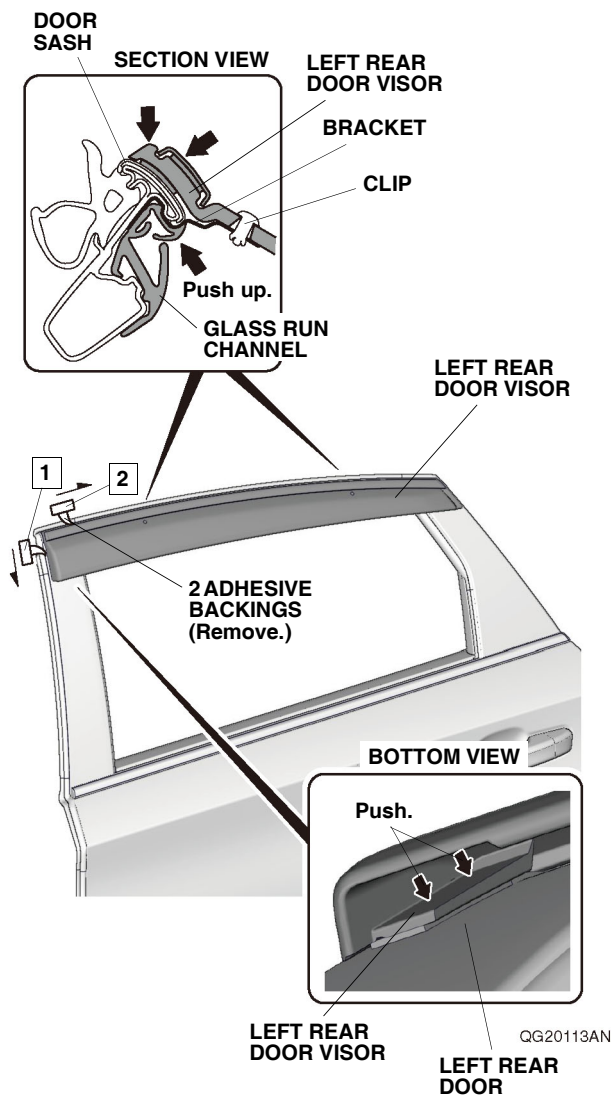


17. Using the two clips, secure the left rear door visor to the brackets as shown. Make sure to push up on the brackets while installing the two clips.  
**NOTE:** Be extremely careful when installing the clips; they cannot be reinstalled after installation.

18. Adjust the position of the left rear door visor as shown.



19. While applying light pressure against the left rear door visor, carefully remove the taped adhesive backings in the order shown.  
NOTE: Make sure to push up on the brackets while removing the adhesive backings.



20. Using a soft towel, press and hold the left rear door visor against the door sash and left rear door for 30 seconds.  
21. Repeat steps 1 through 20 on the right side of the vehicle.

## CONFIRMATION AFTER INSTALLATION

### RESTORATION OPERATIONS

1. Start the engine.
2. Using the power window switch, repeat opening and closing the window from half-open to fully closed 10 times to allow the glass run channel to wear in. (The window should not bind.)
3. If necessary, refer to the service information, to reset the power windows. (If the automatic closing/opening does not function after the reset, reset again.)
4. If necessary, refer to the service information, to perform the power window "learning" procedure. (If the automatic closing/opening does not function after the learning, carry out "learning" again.)

NOTE: The operations in the steps 3 and 4 should be done to all power windows having the auto up/down feature to allow for proper functioning of the auto-reverse function after installing the door visors.

### USE AND CARE

- When the door visor is dirty, clean it with a soft cloth dampened with water.
- When the door visor is very dirty, clean the door visors with mild detergent and water. Do not use organic solvents (thinners, benzene, alcohol, etc.) or cleaners containing any abrasive material.