



## INSTALLATION INSTRUCTIONS

Accessory  
**CARGO ORGANIZER RINGS**  
 P/N 08U20-TVA-100

Application  
**2021 ACCORD**

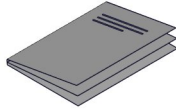
Publications No.  
**VERSION 1**  
 Issue Date  
**SEP 2020**

### PARTS LIST

2 Rings



Accessory User's Information Manual



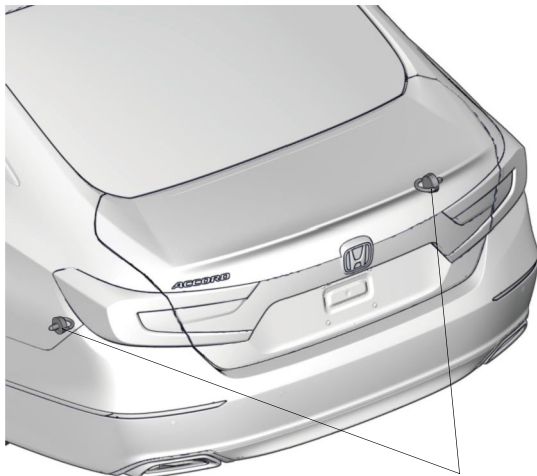
### TOOLS AND SUPPLIES REQUIRED

- Drill
- 8 mm Drill bit
- Eye protection (face shield, safety goggles, etc.)
- Touch-up paint
- Masking tape

*The following tools are available through the Honda Tool and Equipment Program. On the iN, click on Service > Service Bay > Tool and Equipment Program, then enter the number under "Search." Or, call 888-424-6857.*

- Trim Tool Set (T/N SOJATP2014)
- Plastic Trim Tool (T/N SILTRIMTL10)
- Deburring Tool (T/N DEBUR300)

### Illustration of the Cargo Organizer Rings in the Vehicle



**2 RINGS**

QG22802AG

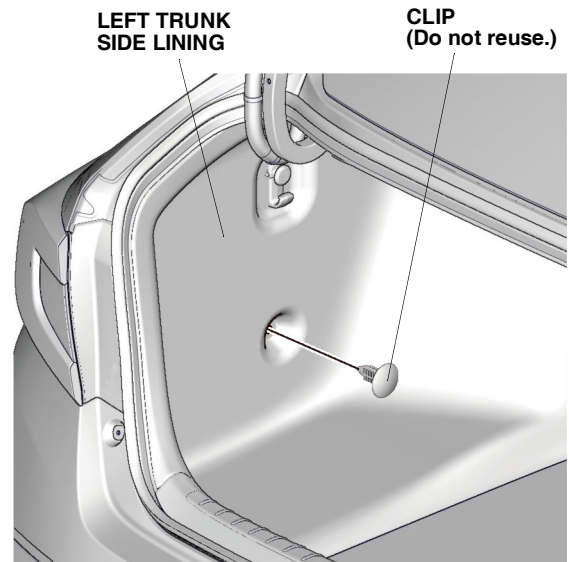
### INSTALLATION

**Customer Information:** The information in this installation instruction is intended for use only by skilled technicians who have the proper tools, equipment, and training to correctly and safely add equipment to your vehicle. These procedures should not be attempted by "do-it-yourselfers."

NOTE: Be careful not to damage the body.

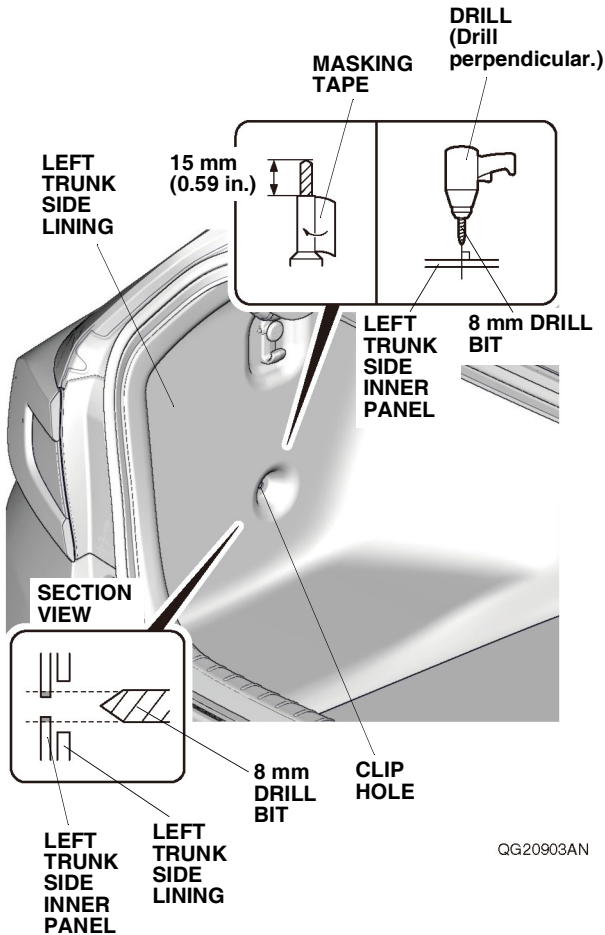
#### Installing the Cargo Organizer Rings

1. Open the trunk lid. Remove one clip from the left trunk side lining. Repeat on the right side of the vehicle.

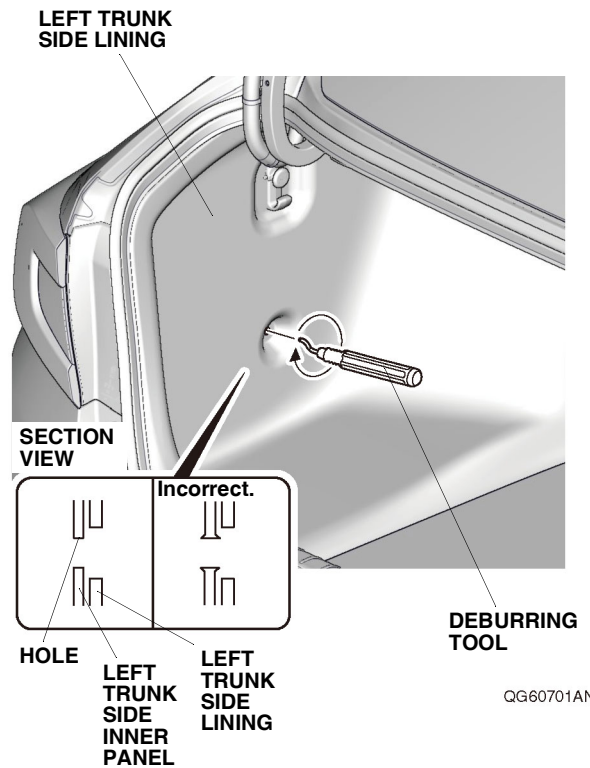


QG20902AN

- While wearing eye protection, enlarge the clip hole in the left trunk side inner panel to 8 mm.  
NOTE: Wrap masking tape around the drill bit 15 mm (0.59 in.) from the tip, or use a drill stop. Make sure to drill perpendicular to the left trunk side inner panel.



- Using a deburring tool, remove all burrs from the hole.



- Apply touch-up paint to the hole, and allow the touch-up paint to dry.
- Repeat steps 2 through 4 on the right side of the vehicle.
- Install the ring to the hole as shown. Repeat on the right side of the vehicle.

