



## INSTALLATION INSTRUCTIONS

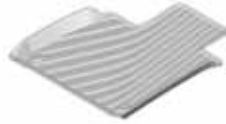
Accessory  
ALL-SEASON FLOOR MATS  
P/N 08P17-TVA-100

Application  
2020 ACCORD

Publications No.  
**VERSION 1**  
Issue Date  
**AUG 2019**

### PARTS LIST

Driver's all-season floor mat



Passenger's all-season floor mat



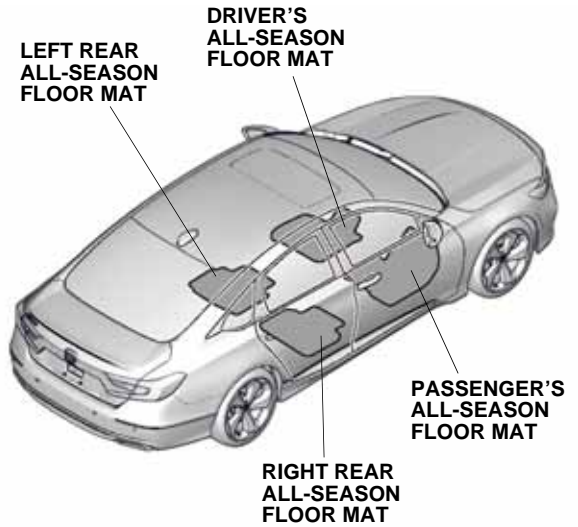
Left rear all-season floor mat



Right rear all-season floor mat



### Illustration of the All-Season Floor Mats in the Vehicle



QG10701AN

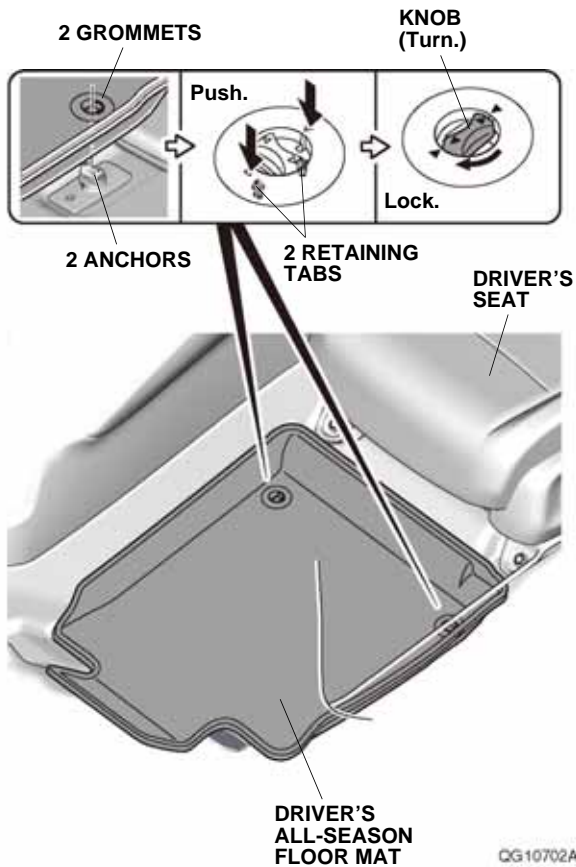
### INSTALLATION

#### NOTE:

- Before installing the floor mats, identify their installation positions.
- Connect the floor mat to the anchors to prevent it from sliding forward and possibly interfering with the pedals.
- If you remove a floor mat, make sure you re-anchor it when you put it back in your vehicle.
- If you replace a floor mat, use a factory floor mat designed to be used with the anchors.
- If you use a non-factory floor mat in the driver's footwell, make sure it fits properly and that it can be used with the anchors.
- Do not put an additional floor mat on top of the anchored floor mat. It may slide forward and possibly interfere with the pedals.
- Position the rear seat floor mats properly. If they are not properly positioned, the floor mat can interfere with the front seat functions.

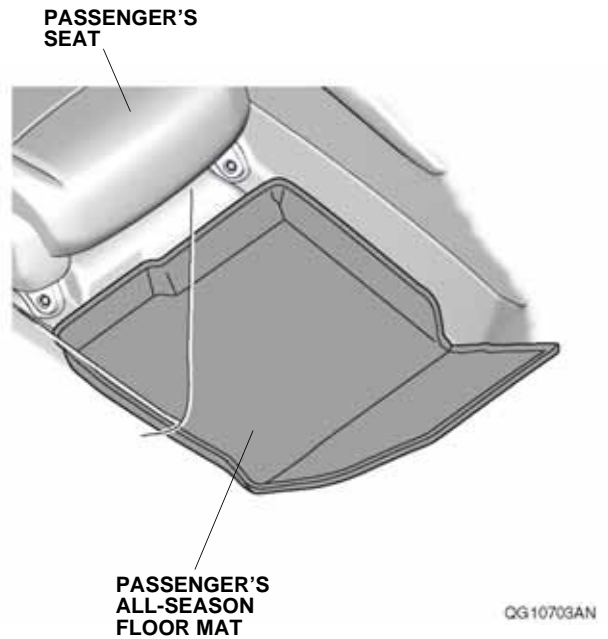
## Installing the All-Season Floor Mats

1. Remove the standard floor mats.



2. Place the grommets in the driver's all-season floor mat over the anchors. Push the grommets into the anchors to secure the retaining tabs, then turn the knobs 90° to secure the driver's all-season floor mat.

3. Place the passenger's all-season floor mat as shown.



4. Place the left and right rear all-season floor mats as shown.

