



## INSTALLATION INSTRUCTIONS

Accessory  
TRUNK SPOILER  
P/N 08F10-TVA-100

Application  
2019 ACCORD

Publications No.  
**VERSION 1**  
Issue Date  
OCT 2018

### PARTS LIST

Trunk spoiler



Left trunk spring  
(Mark: yellow)



Right trunk spring  
(Mark: red)



Template



2 Pins



2 Clip grommets



2 Seals



2 Alcohol wipes



2 Bolts



2 Flange nuts



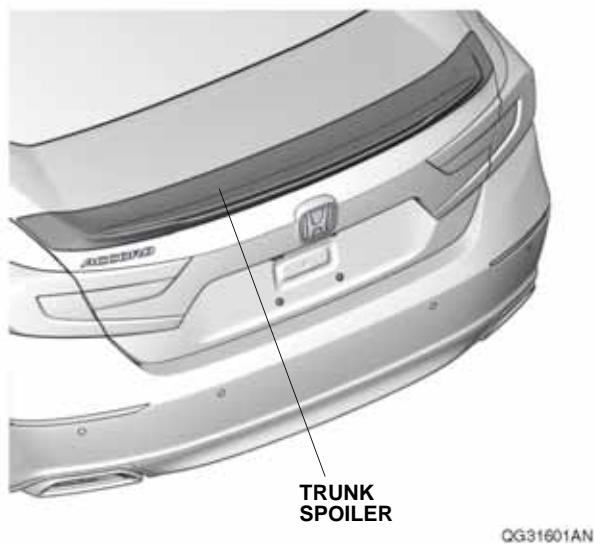
## TOOLS AND SUPPLIES REQUIRED

Drill  
Eye protection (face shield, safety goggles, etc.)  
Center punch  
3 mm Drill bit  
Touch-up paint  
Felt-tip pen  
Masking tape  
Heavy gloves  
10 mm Socket  
Ratchet  
Extension  
Torque wrench

*The following tools are available through the Honda Tool and Equipment Program. On the iN, click on Service > Service Bay > Tool and Equipment Program, then enter the number under "Search." Or, call 888-424-6857.*

- Plastic Trim Tool (T/N SILTRIMTL10)
- Trim Tool Set (T/N SOJATP2014)
- Rotabroach Hole Cutting Kit (T/N BLR11201SO)
- Rubber Roller (T/N MHLE54D)
- Trunk Spring Tool (T/N 07AAF-T2AA200)
- Deburring Tool (T/N DEBUR300)

### **Illustration of the Trunk Spoiler on the Vehicle**



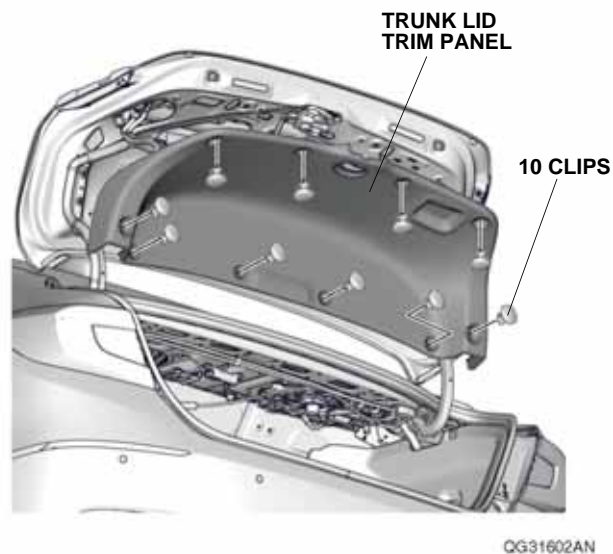
## INSTALLATION

**Customer Information:** The information in this installation instruction is intended for use only by skilled technicians who have the proper tools, equipment, and training to correctly and safely add equipment to your vehicle. These procedures should not be attempted by "do-it-yourselfers."

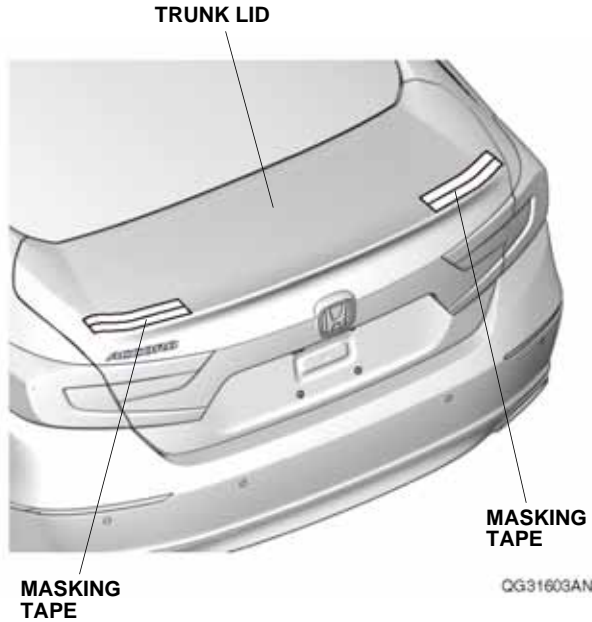
### NOTE:

- Clean the areas to be covered.
- Be careful not to damage the body paint finish.
- This kit should be installed only if the ambient air temperature is 15°C (60°F) or above.
- To allow the adhesive to cure, do not wash the vehicle for 24 hours. Make sure the customer is aware of this.

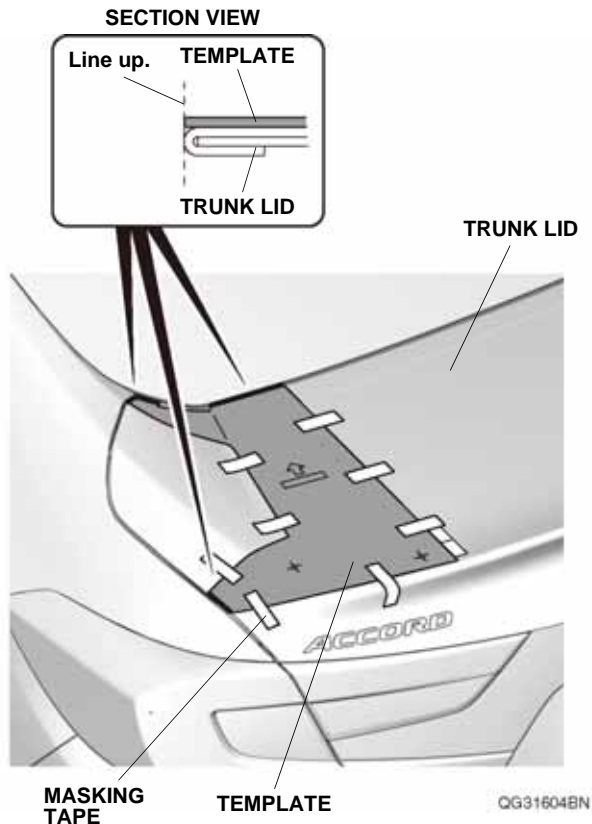
1. Open the trunk lid. Remove the trunk lid trim panel.



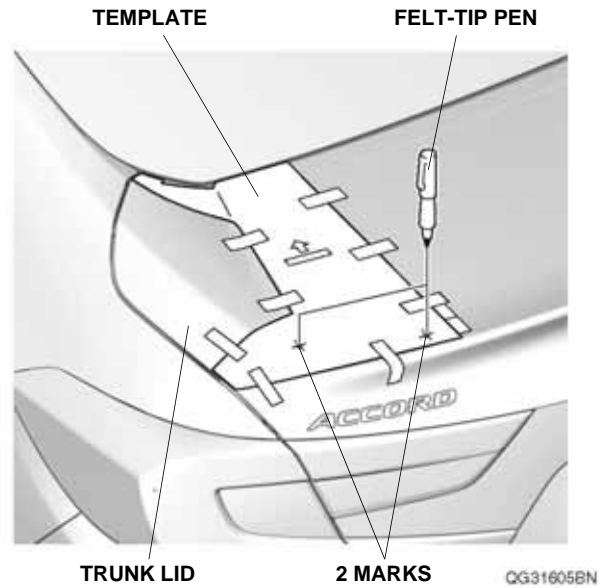
- Close the trunk lid. To prevent the metal shavings from falling onto the trunk floor, attach masking tape to the trunk lid as shown.



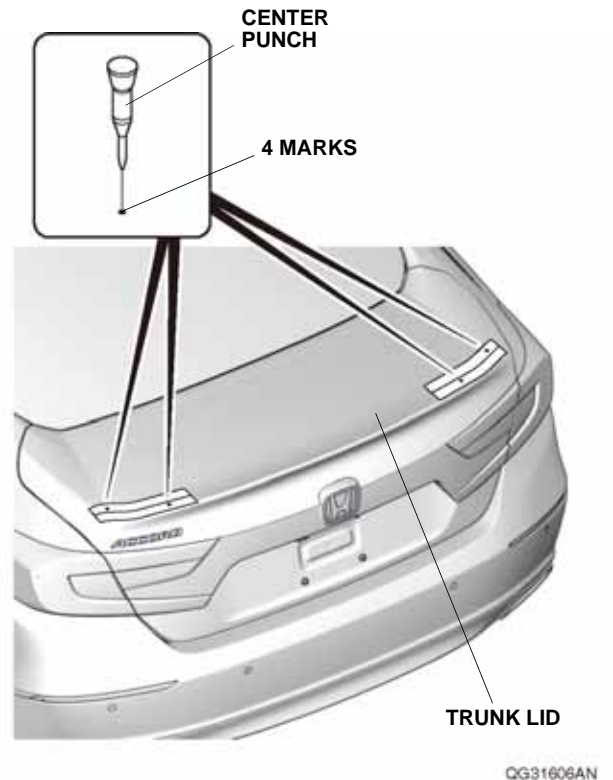
- Place the template on the left side of the trunk lid, and line up the template with the trunk lid as shown. Tape the template to the trunk lid with masking tape.



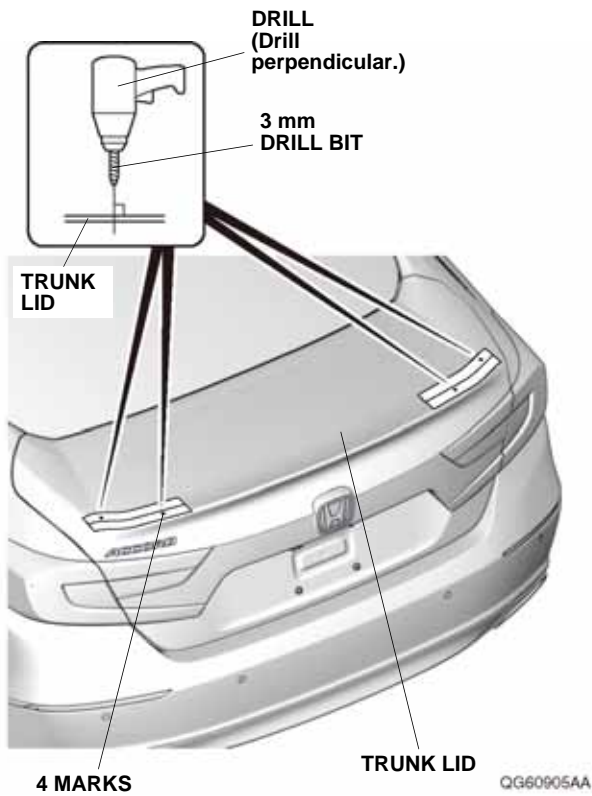
- Using a felt-tip pen, mark the trunk lid through the template at the two holes on the template.



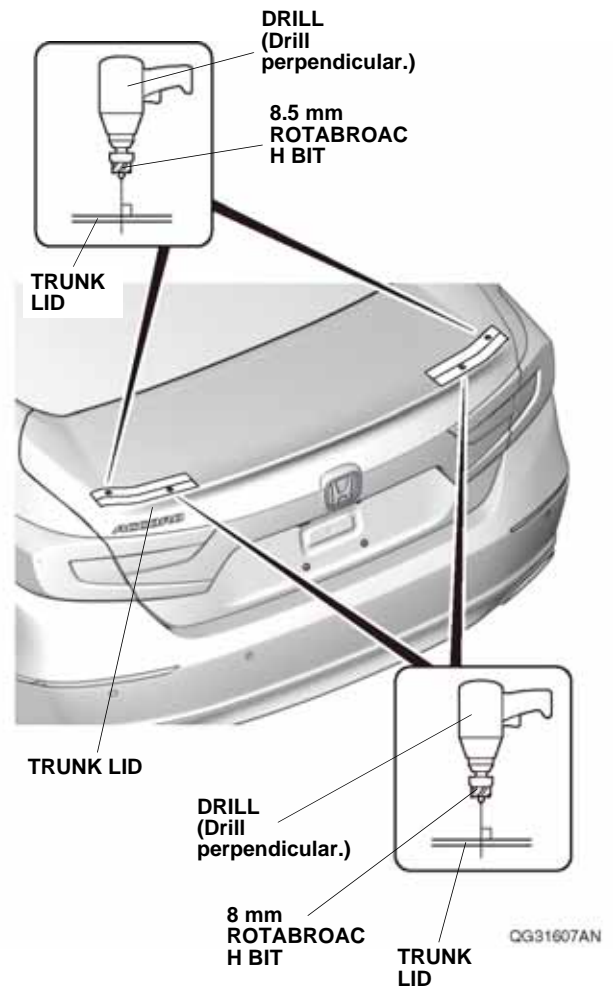
- Remove the template.
  - Turn the template over, and repeat steps 3 through 5 on the right side of the vehicle.
  - Using a center punch, punch the centers of the four marks.
- NOTE: Set a center punch to the minimum power setting.



8. While wearing eye protection, drill the four center-punched marks on the trunk lid with a 3 mm drill bit. NOTE: Make sure to drill the marks perpendicular to the trunk lid.



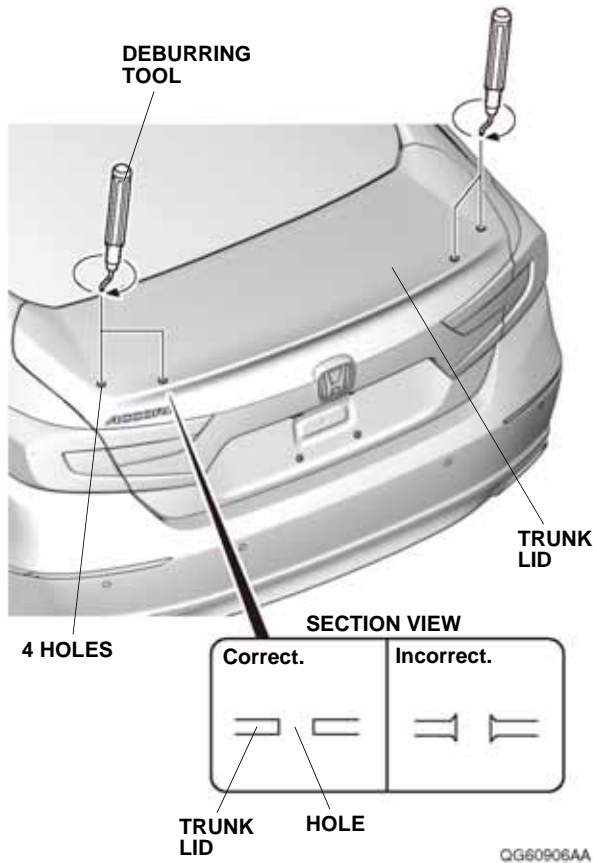
9. While wearing eye protection, use an 8.5 mm Rotabroach bit to drill the two outer 3 mm holes as shown. NOTE: Drill perpendicular to the trunk lid.



10. While wearing eye protection, use an 8 mm Rotabroach bit to drill the two inner 3 mm holes as shown. NOTE: Drill perpendicular to the trunk lid.
11. Remove the masking tape attached in step 2.

12. Using a deburring tool, remove all burrs from the four holes.

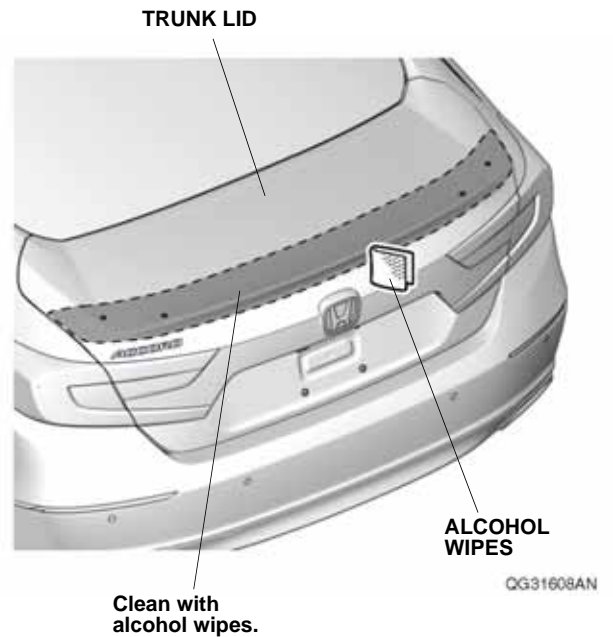
NOTE: To ensure proper clip engagement, be sure to remove any metal shavings or burrs.



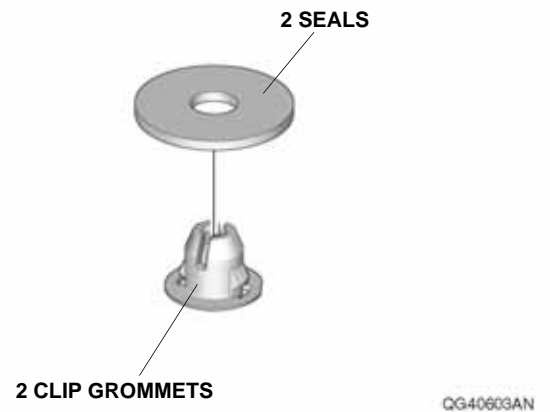
13. Apply touch-up paint to the edges of the holes, and allow the touch-up paint to dry.

14. Using two alcohol wipes, thoroughly clean the trunk lid where the trunk spoiler will attach.

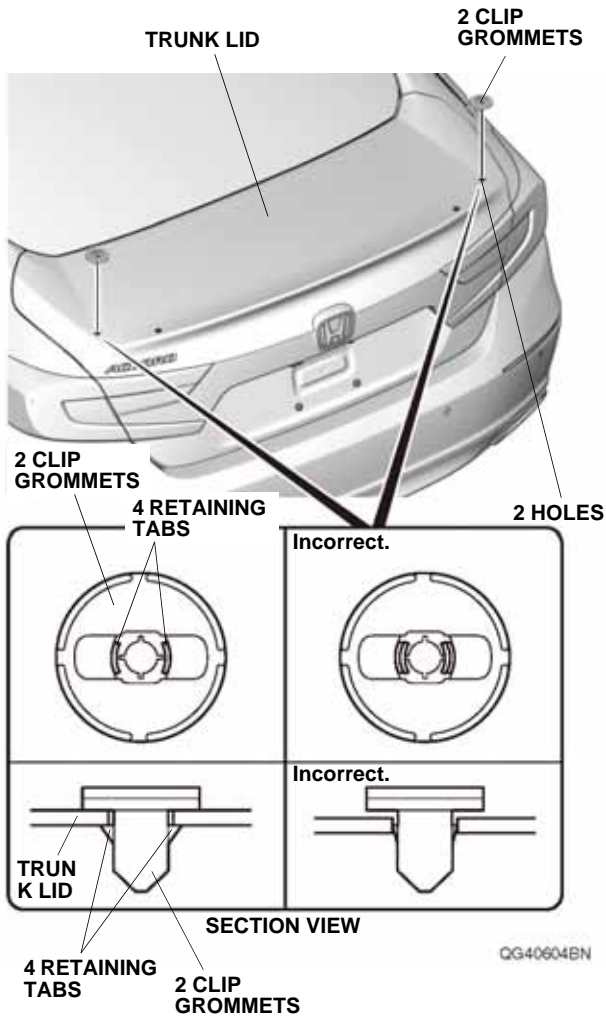
NOTE: Any remaining oil or dirt on the trunk lid surface will affect the adhesive tape effectiveness, which could cause gaps or lifting of the trunk spoiler.



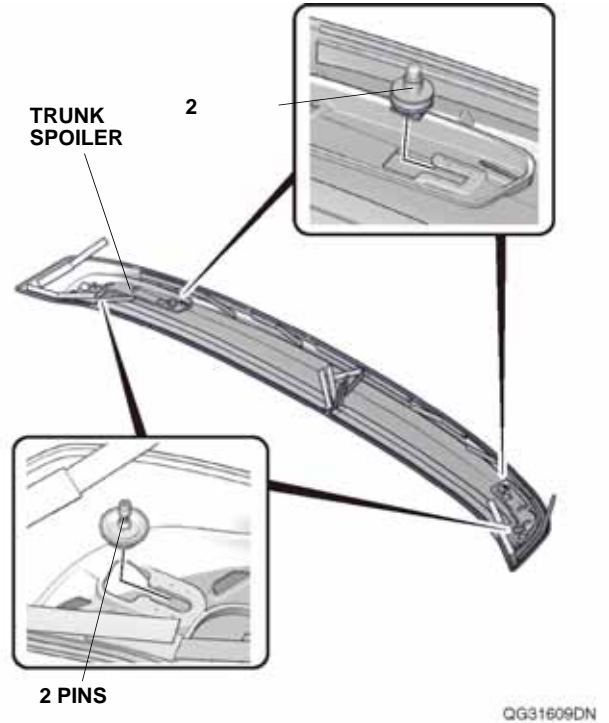
15. Install the two seals to the two clip grommets.



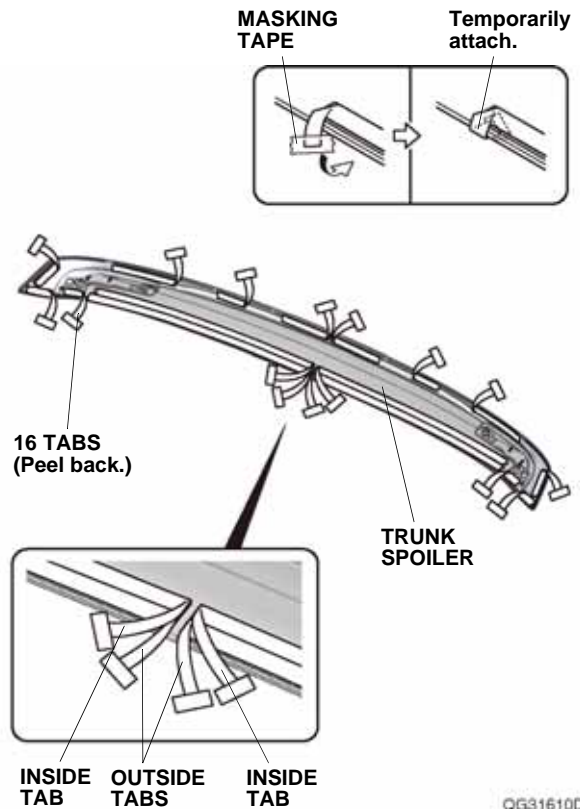
16. Install the two clip grommets to the two outer holes on the trunk lid.  
 NOTE: To confirm clip engagement, listen for a click sound during installation.



17. Install the two pins and two bolts to the trunk spoiler.

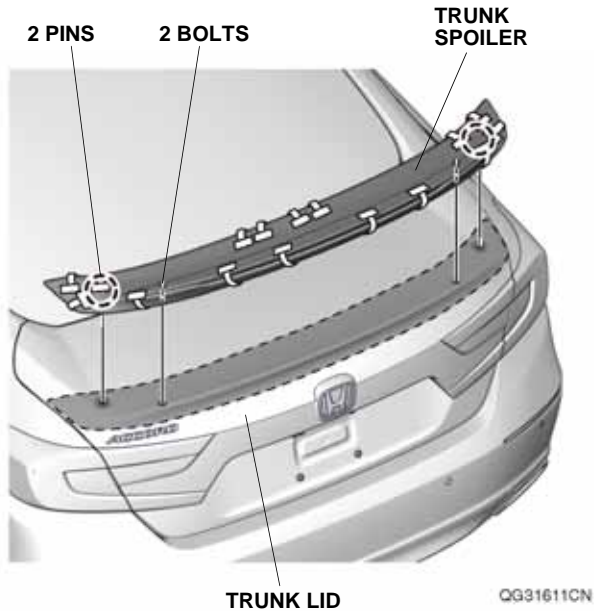


18. Peel back the tabs, and tape them to the front surface of the trunk spoiler with masking tape as shown.

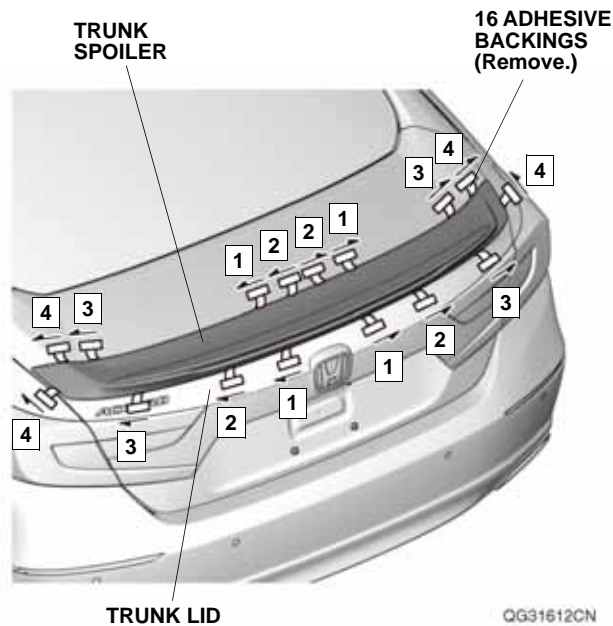




19. Place the trunk spoiler on the trunk lid. Insert the two bolts into the holes in the trunk lid first, then insert the two pins. Do not apply excessive pressure.  
NOTE: To confirm clip engagement, listen for a click sound during installation. Using your hands, lift up on the clip area of the spoiler to confirm the clips are fully engaged.

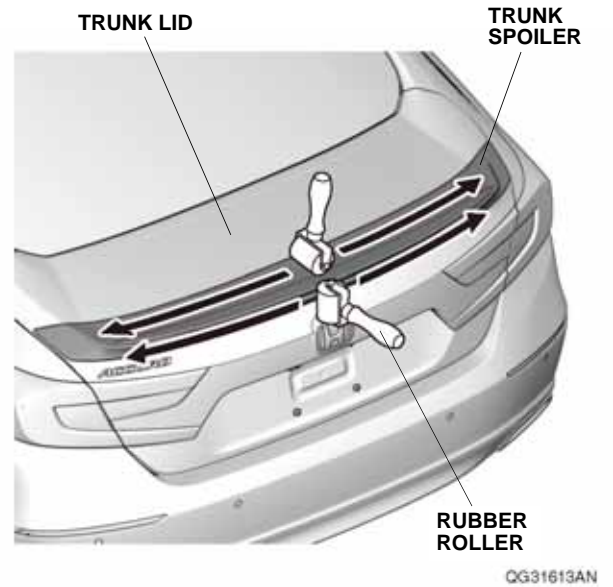


20. Carefully remove the adhesive backings as shown on each side.

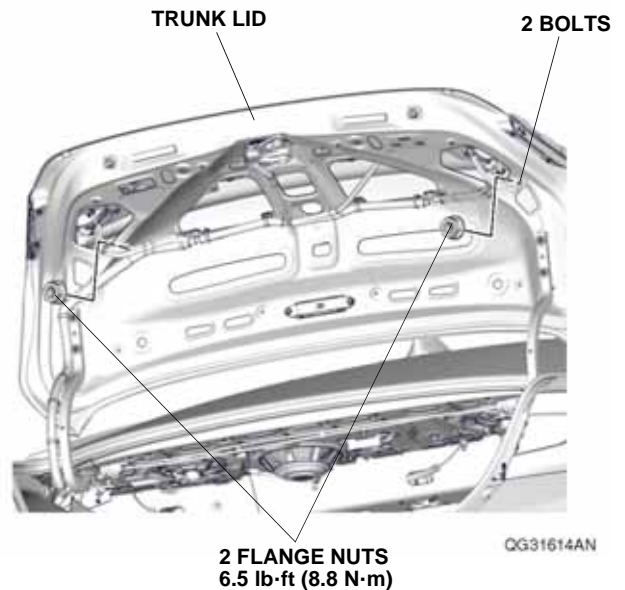


21. Using your hand, firmly press the trunk spoiler against the trunk lid.

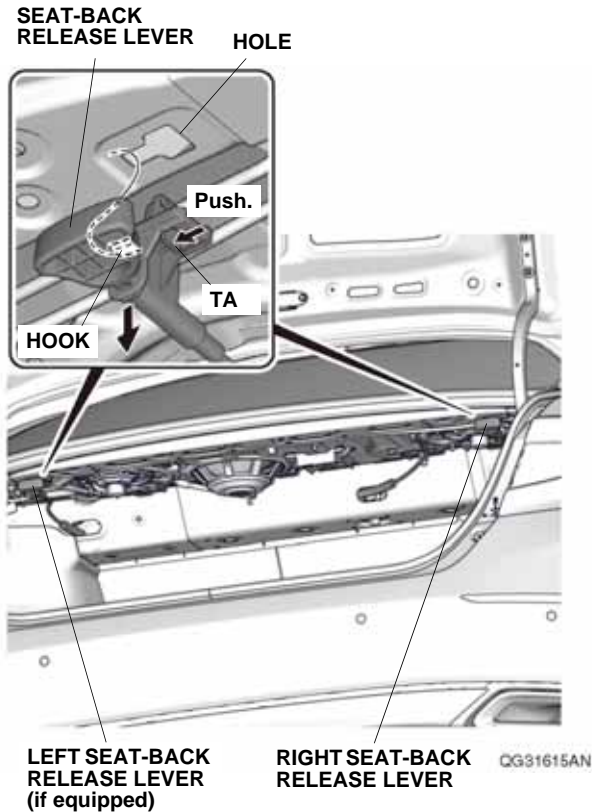
22. Using a rubber roller, apply firm pressure, especially at the ends, to set the adhesive.



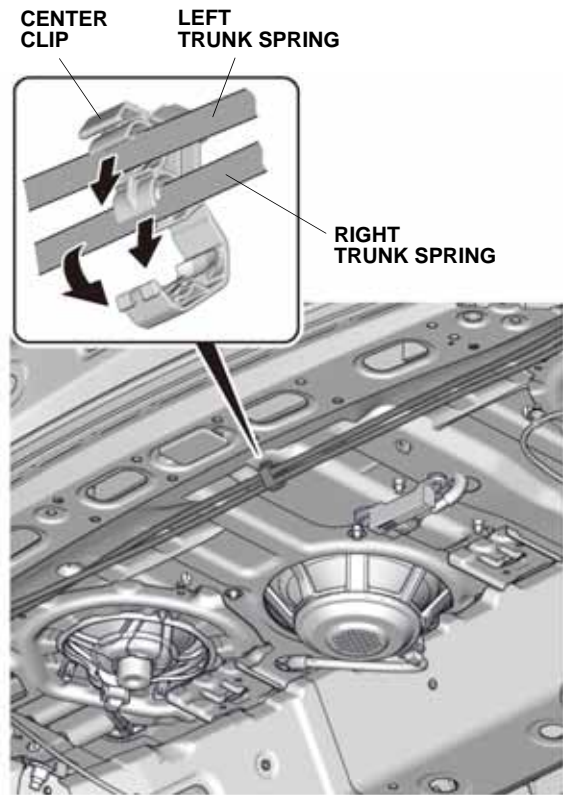
23. Open the trunk lid. Secure the trunk spoiler to the trunk lid with the two flange nuts. Torque the flange nuts to 6.5 lb-ft (8.8 N-m).



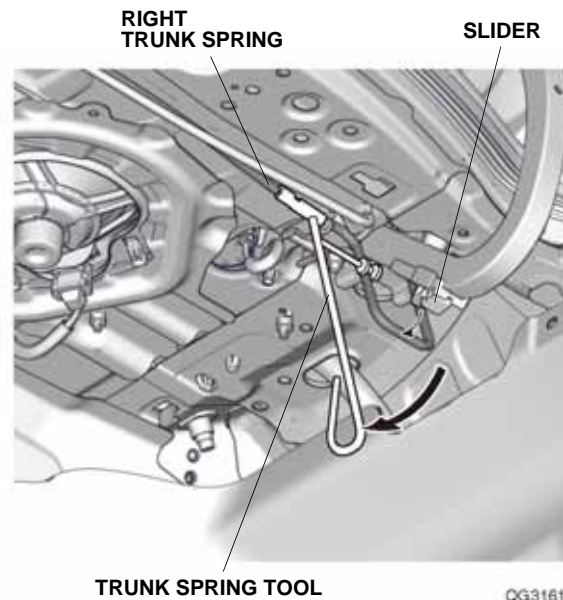
24. Push the tab, and pull down the right seat-back release lever to release the hook. If equipped, release the left seat-back release lever the same way.



25. Release the left and right trunk springs from the center clip.

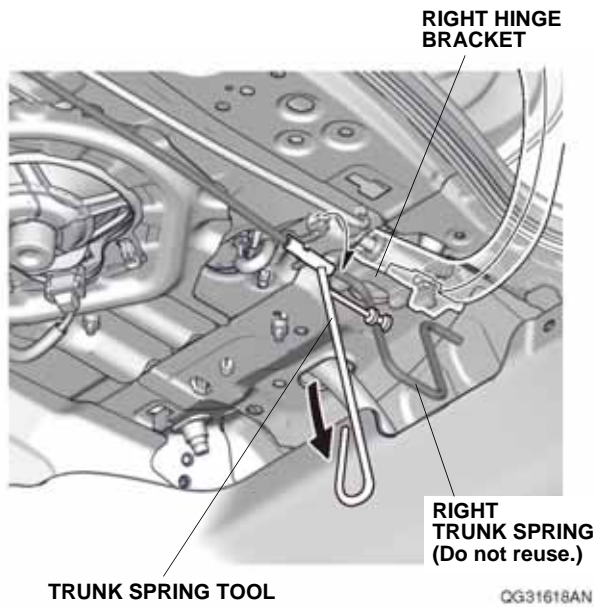


26. With an assistant holding the trunk lid open, remove the right trunk spring.
- Remove the right trunk spring from the slider using the trunk spring tool. Wear heavy gloves to protect your hands, and push the trunk spring tool slowly and carefully.





- Remove the right trunk spring from the right hinge bracket.

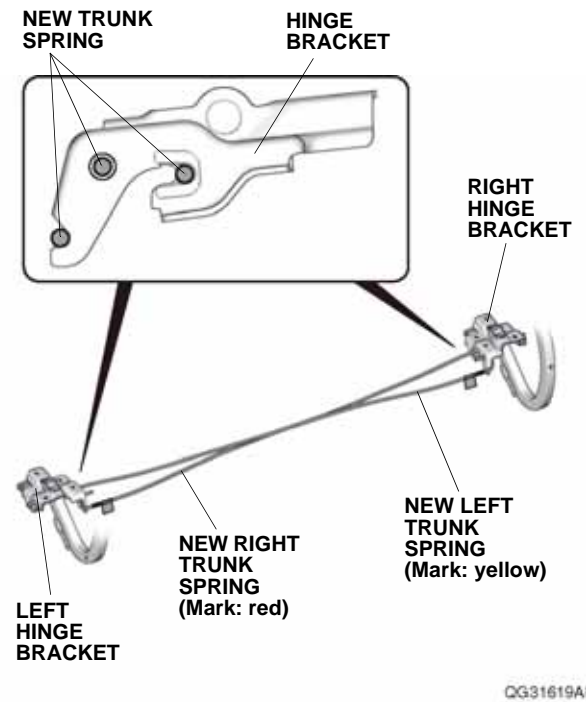


27. Repeat step 26 on the left side of the vehicle.

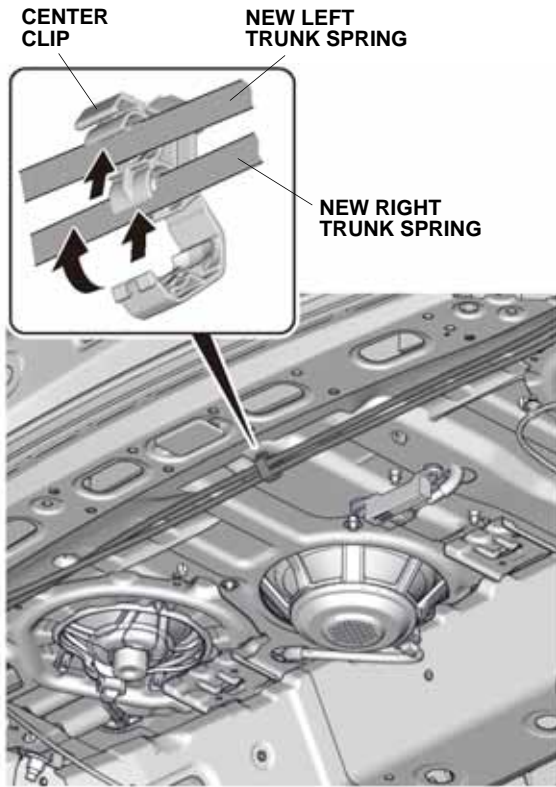
28. Install the new trunk springs in the reverse order of removal.
- Install the yellow-marked trunk spring in the slot in the right (passenger's side) hinge bracket and to the left (driver's side) hinge arm.
  - Install the red-marked trunk spring in the slot in the left (driver's side) hinge bracket and to the right (passenger's side) hinge arm.
  - Wearing heavy gloves, rotate the trunk spring tool as you pull it towards you.

## ⚠ CAUTION

- Be careful when installing the trunk spring as they could repel with strong force and cause injury.



29. Install the new trunk springs to the center clip.



QG31620AN

30. Install all removed parts.