



## INSTALLATION INSTRUCTIONS

Accessory  
FRONT GRILLE

Application  
2019 ACCORD

Publications No.  
**VERSION 1**  
Issue Date  
OCT 2018

### PARTS LIST

**Front Grille Kit**  
P/N 08F21-TVA-100

Front grille



**Front Grille Molding Kit**  
P/N 08F21-TVA-100A  
P/N 08F21-TVA-100B  
P/N 08F21-TVA-100C

Front grille molding



5 Self-tapping screws



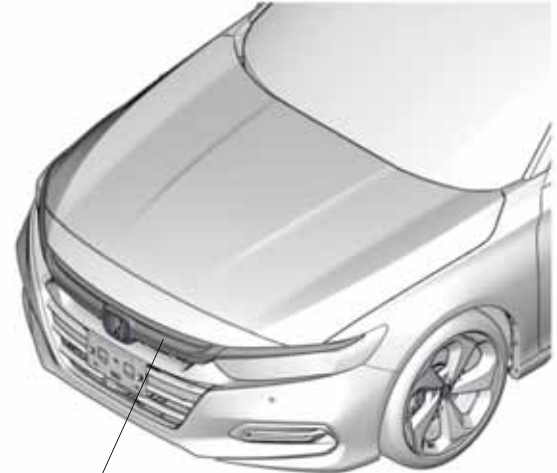
### TOOLS AND SUPPLIES REQUIRED

Phillips screwdriver  
10 mm Open end wrench  
Masking tape  
Blanket

*The following tools are available through the Honda Tool and Equipment Program. On the iN, click on Service > Service Bay > Tool and Equipment Program, then enter the number under "Search." Or, call 888-424-6857.*

- Trim Tool Set (T/N SOJATP2014)
- Plastic Trim Tool (T/N SILTRIMTL10)

### Illustration of the Front Grille on the Vehicle



FRONT GRILLE

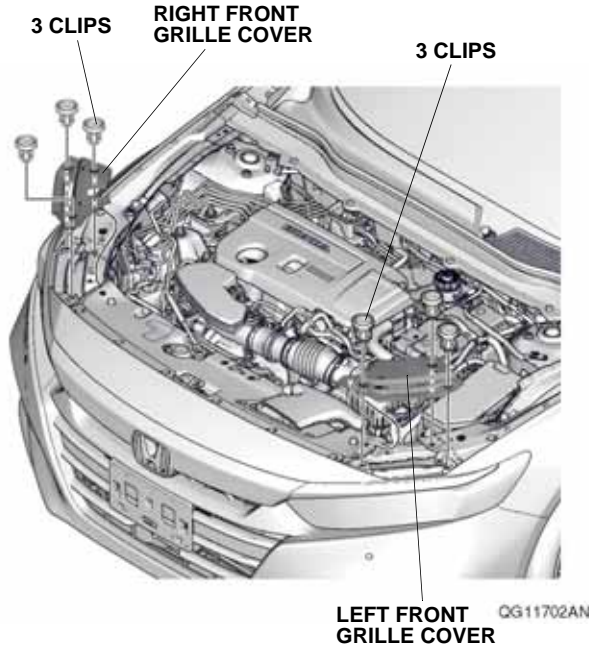
QFD2301AC

### INSTALLATION

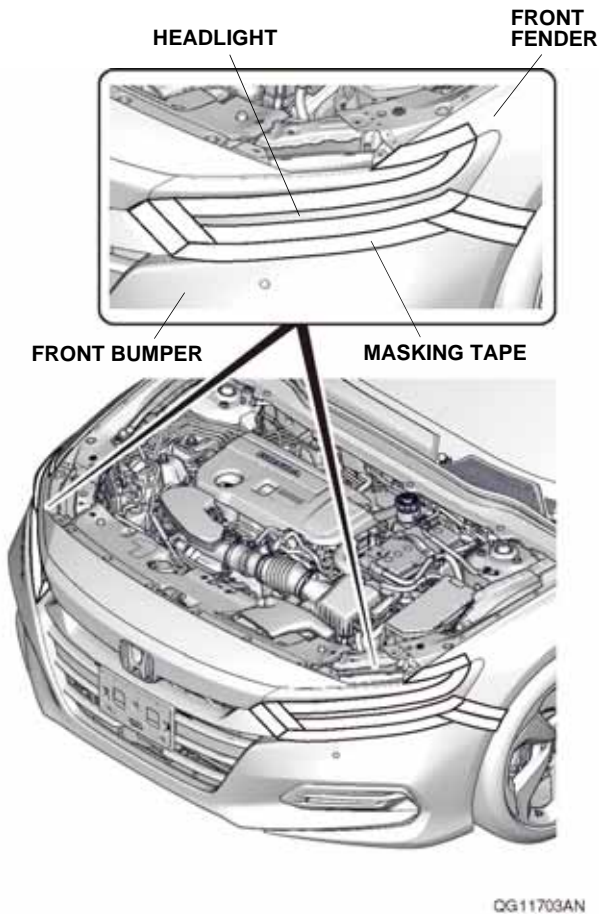
**Customer Information:** The information in this installation instruction is intended for use only by skilled technicians who have the proper tools, equipment, and training to correctly and safely add equipment to your vehicle. These procedures should not be attempted by "do-it-yourselfers."

1. Disconnect the negative cable from the battery.

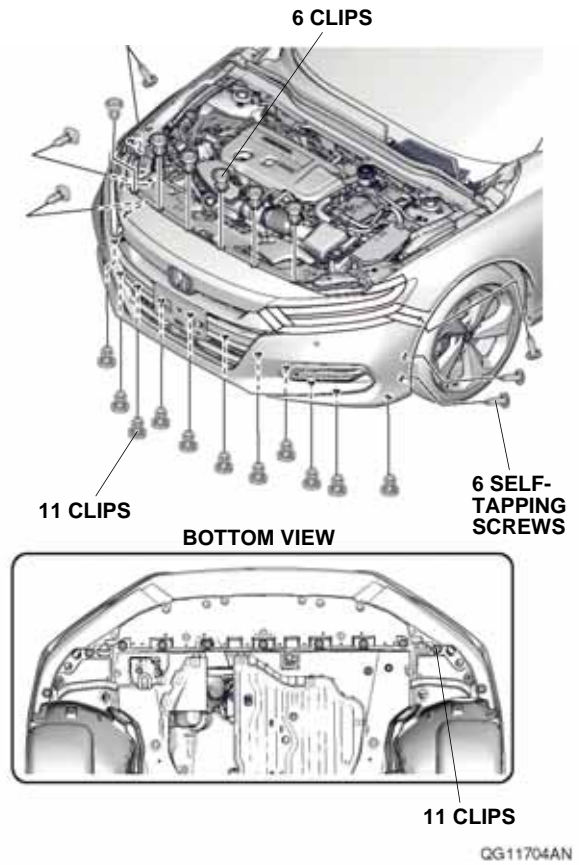
2. Remove the left and right front grille cover.



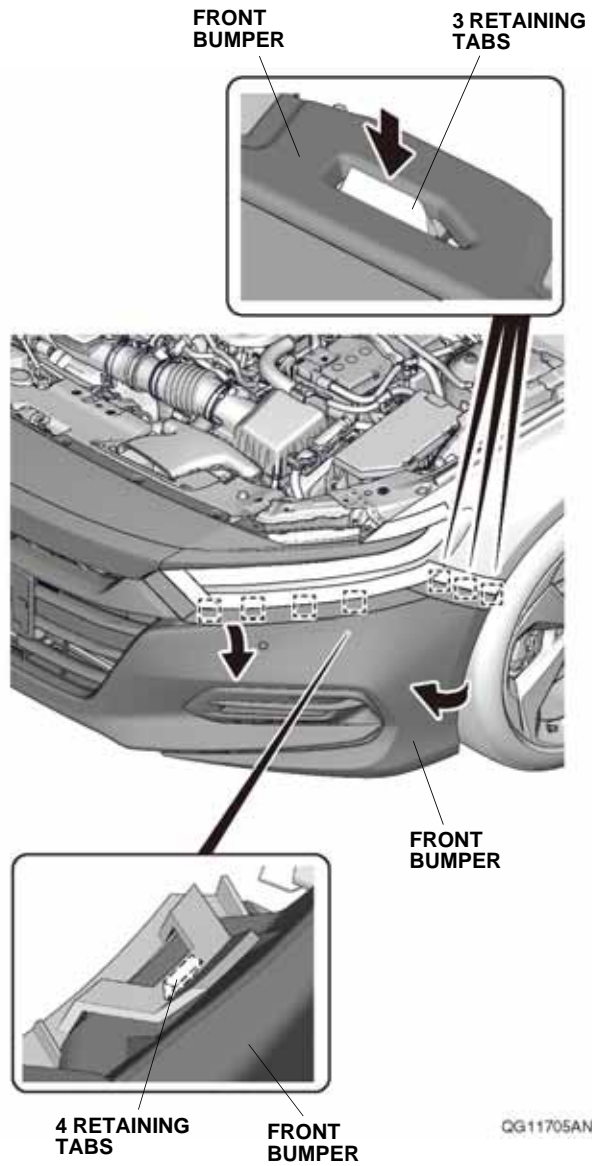
3. Remove the front bumper:
- Apply masking tape as shown.



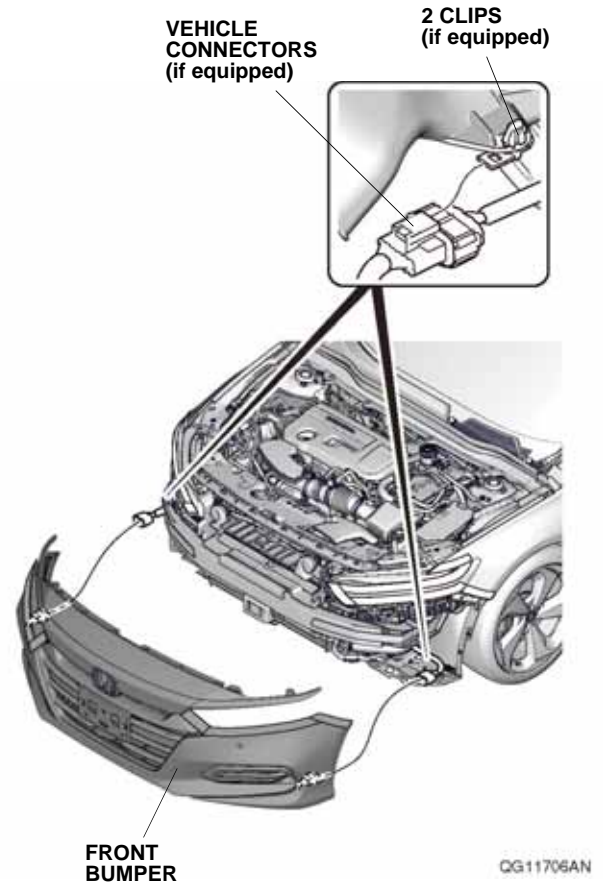
- Remove the six self-tapping screws and 17 clips as shown.



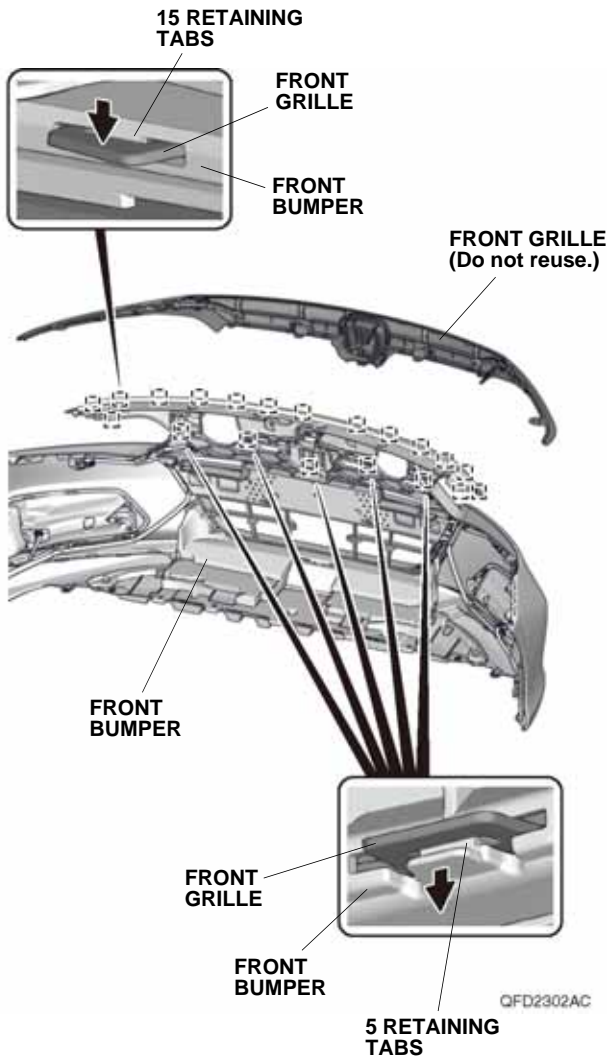
- With the help of an assistant, release the seven retaining tabs on each side.



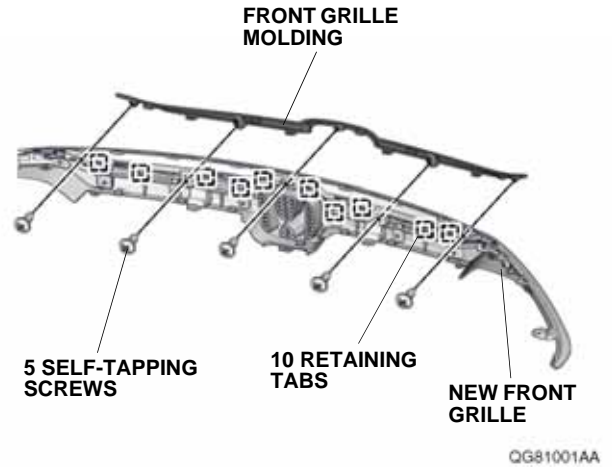
- With the help of an assistant, remove the front bumper, and unplug the vehicle connectors (if equipped).
- Place the front bumper on a blanket.



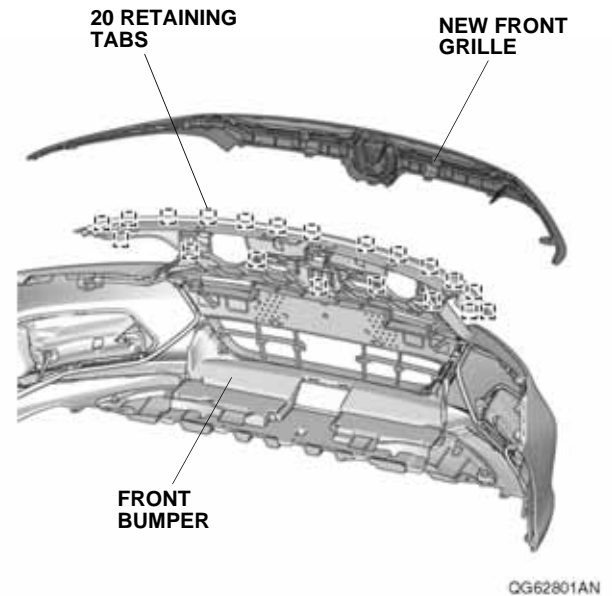
4. Remove the front grille from the front bumper.



5. Install the front grille molding to the new front grille.



6. Install the new front grille to the front bumper.



7. Check that all wire harnesses are routed properly and all connectors are plugged in.
8. Install all removed parts.
9. Connect the negative cable to the battery.
10. Press and hold the audio unit power button for 2 seconds to restore the audio and navi (if equipped) system functions.
11. Set the clock on vehicles without navigation.
12. If necessary, restore the systems back to normal operation as described in the service information.