

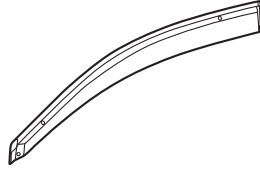


## INSTALLATION INSTRUCTIONS

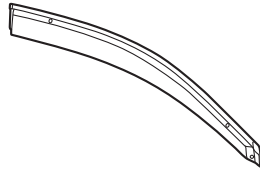
<b>Accessory</b> <b>DOOR VISORS</b> <b>P/N 08R04-T2A-100</b>	<b>Application</b> <b>2017 ACCORD</b> <b>4-DOOR</b>	<b>Publications No.</b> <b>VERSION 1</b>
		<b>Issue Date</b> <b>JUN 2016</b>

### PARTS LIST

Left front door visor



Right front door visor



Left rear door visor



Right rear door visor



8 Brackets A



2 Brackets B



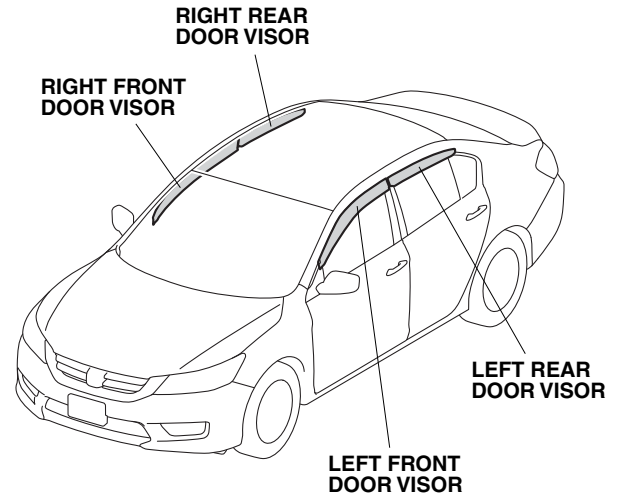
10 Clips



### TOOLS AND SUPPLIES REQUIRED

- Isopropyl alcohol
- Shop towel
- Masking tape
- Scale
- Dryer

### Illustration of the Door Visors Installed on the Vehicle



QC51602AG

### INSTALLATION

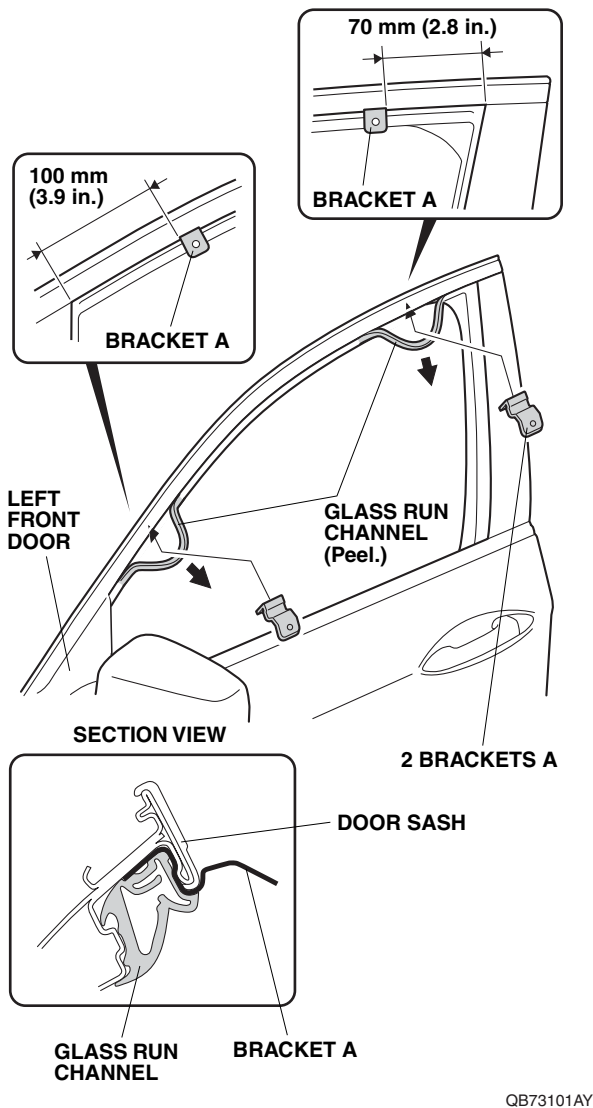
**Customer Information:** The information in this installation instruction is intended for use only by skilled technicians who have the proper tools, equipment, and training to correctly and safely add equipment to your vehicle. These procedures should not be attempted by “do-it-yourselfers.”

#### NOTE:

- Take Care not to damage the paint finish and glass run channels when installing the door visors.
- Handle the door visors with care. They are not designed to absorb shock or impact.
- This kit should be installed only if the air temperature is 15°C (60° F) or above. Heat the door visor and bonding surface with a hair dryer set on LOW if the air temperature is below 15°C (60° F).
- To allow the adhesive to cure, do not wash the vehicle for 24 hours. Please advise your customer.

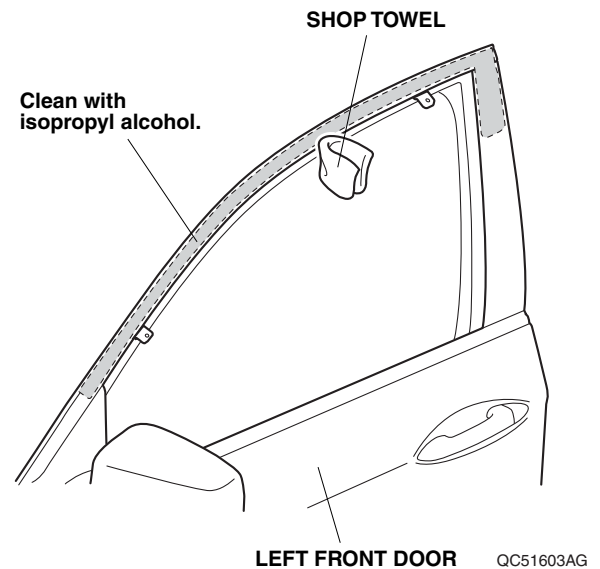
## Installing the Front Door Visor

1. Fully lower the left front window.
2. Pull down the glass run channel in the areas shown.
3. Install the two brackets A to the door sash at the locations shown.

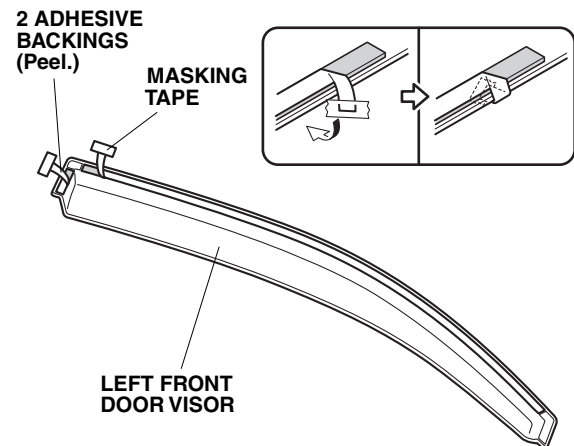


4. Install the glass run channel to secure the two brackets A. Make sure the brackets are installed on the door sash as shown, and that the glass run channel is installed properly.

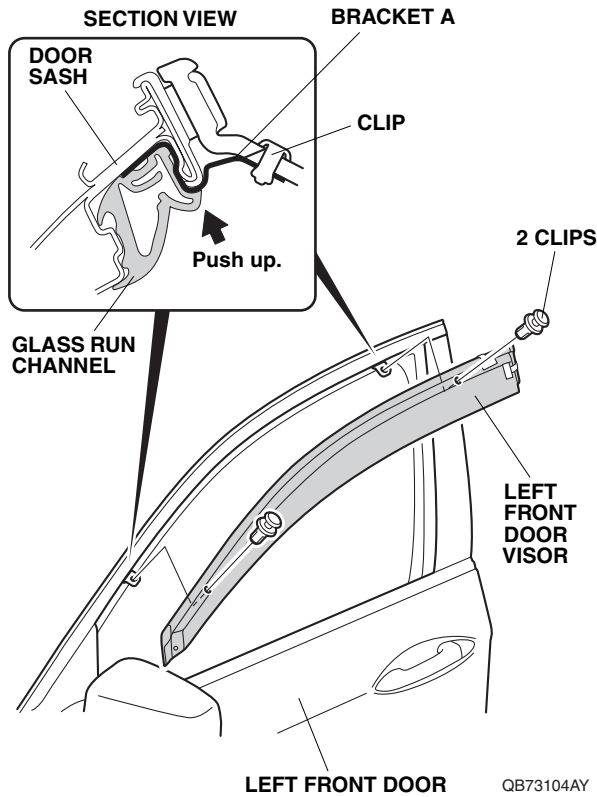
5. Using isopropyl alcohol on a shop towel, thoroughly clean the area where the left front door visor will attach.



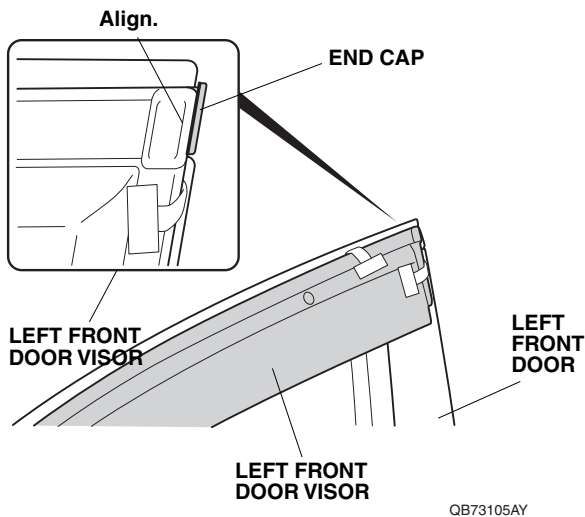
6. Attach a piece of masking tape to the end of the adhesive backings as shown. Peel back the adhesive backings partway and temporarily attach them to the front surface of the left front door visor.



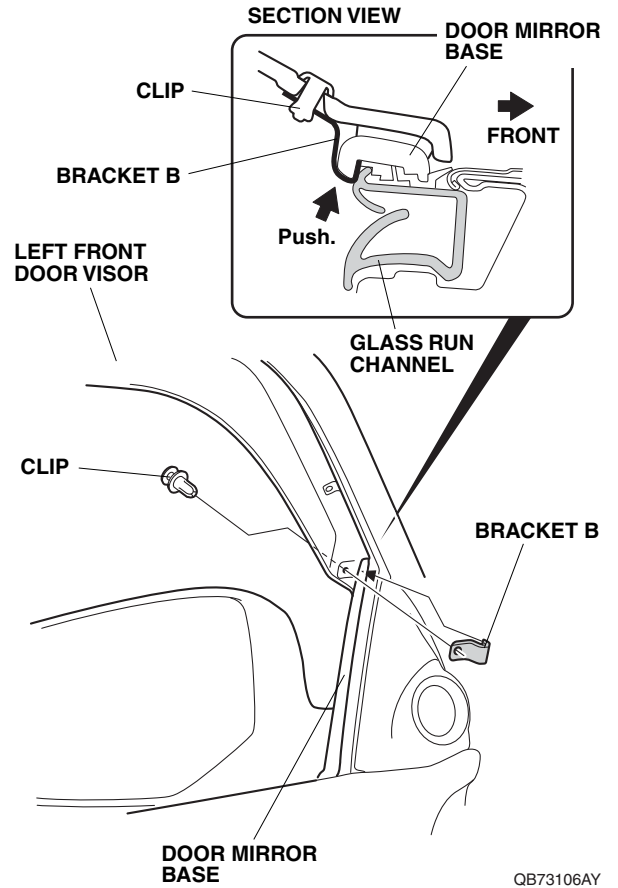
7. Align the holes in the two brackets A to the two holes in the left front door visor.



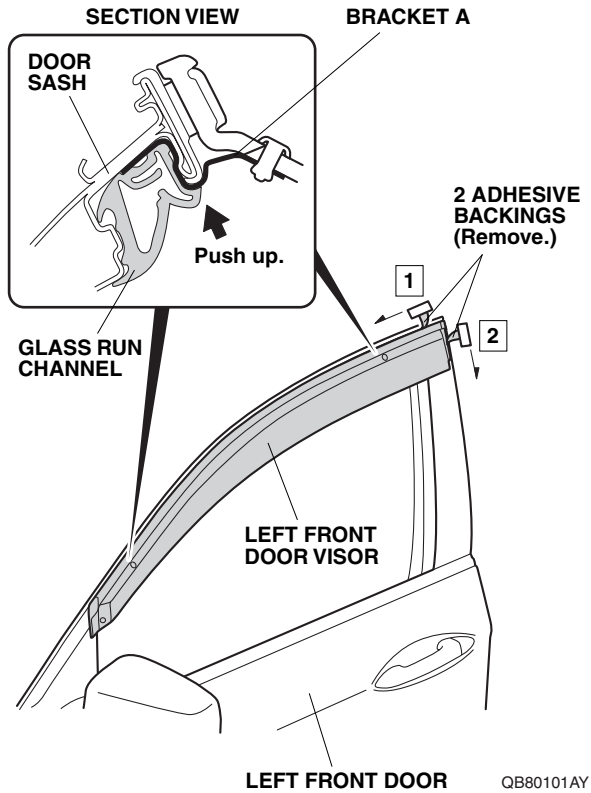
8. Secure the left front door visor to the two brackets A with two clips. Push on the brackets while installing the clips.  
NOTE: After installing each clip, do not remove it, or it will be damaged.
9. Align the left front door visor with the door edge as shown.



10. Install the bracket B between the door mirror base and glass run channel as shown. Secure the left front door visor to the bracket with one clip. Push on the bracket while installing the clip.  
NOTE: After installing each clip, do not remove it, or it will be damaged.



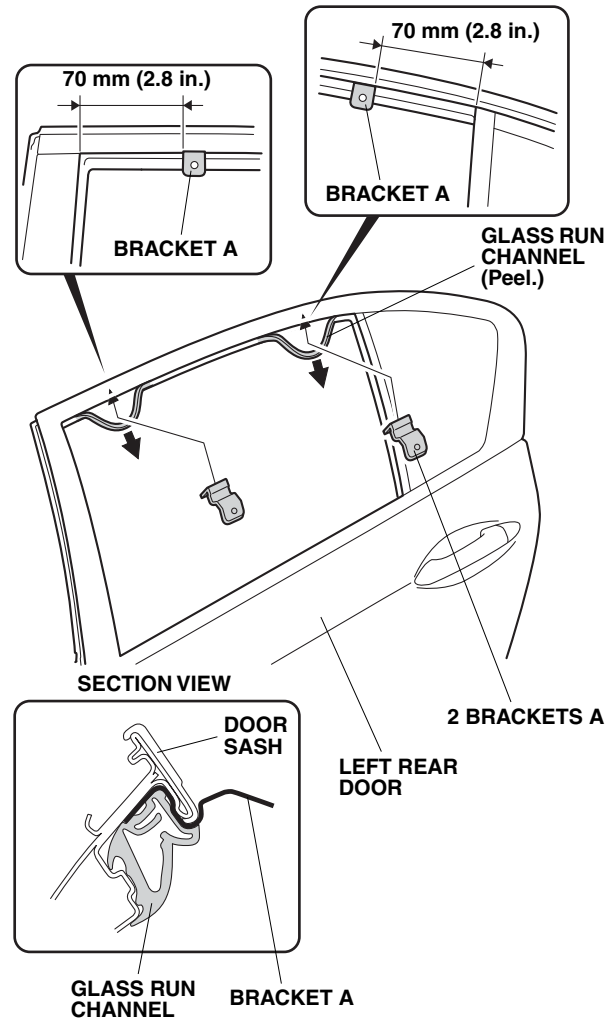
11. While applying light pressure against the left front door visor, carefully remove the adhesive backings in the order shown. Push on the brackets while removing the adhesive backings.



12. Using the palm of your hand, firmly press the left front door visor against the door sash.

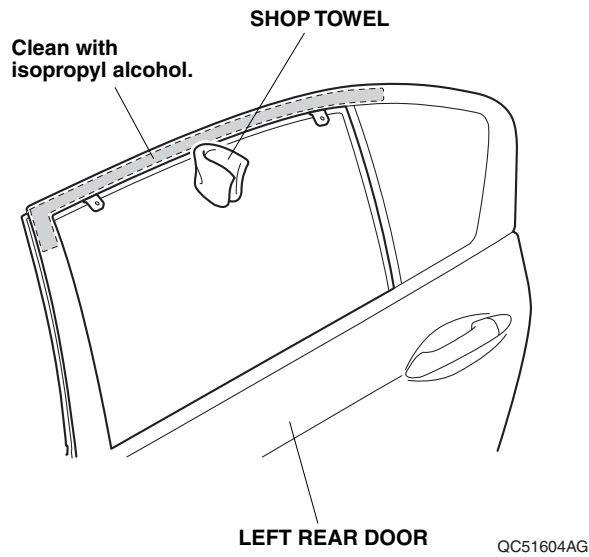
## Installing the Rear Door Visor

13. Fully lower the left rear window.
14. Pull down the glass run channel in the areas shown.
15. Install two brackets A to the door sash as shown.

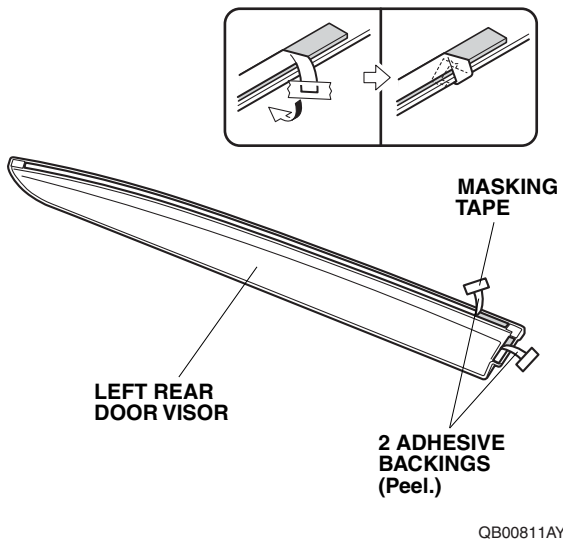


16. Install the glass run channel to secure the two brackets A. Make sure the brackets are installed on the door sash as shown, and that the glass run channel is installed properly.

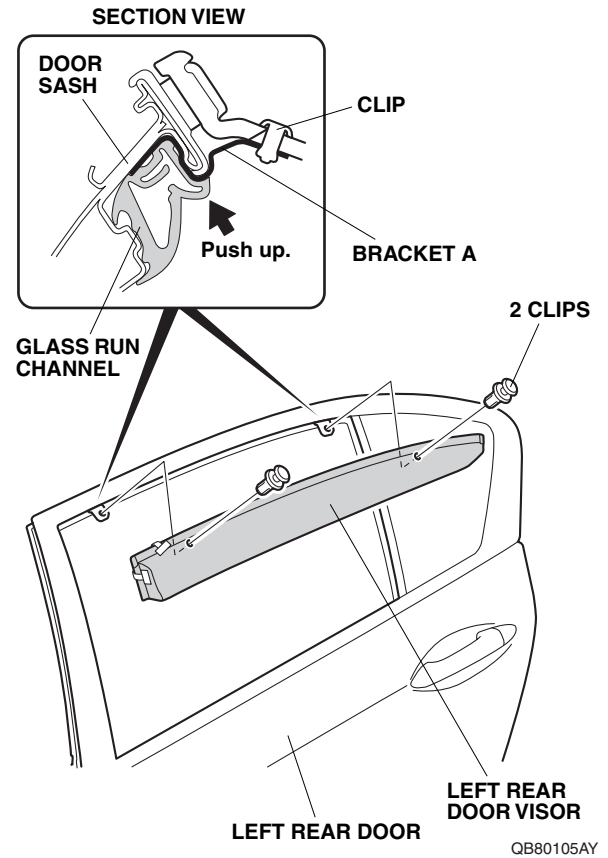
17. Using isopropyl alcohol on a shop towel, thoroughly clean the area where the left rear door visor will attach.



18. Attach a piece of masking tape to the end of the adhesive backings as shown. Peel back the adhesive backings partway and temporarily attach them to the front surface of the left rear door visor.

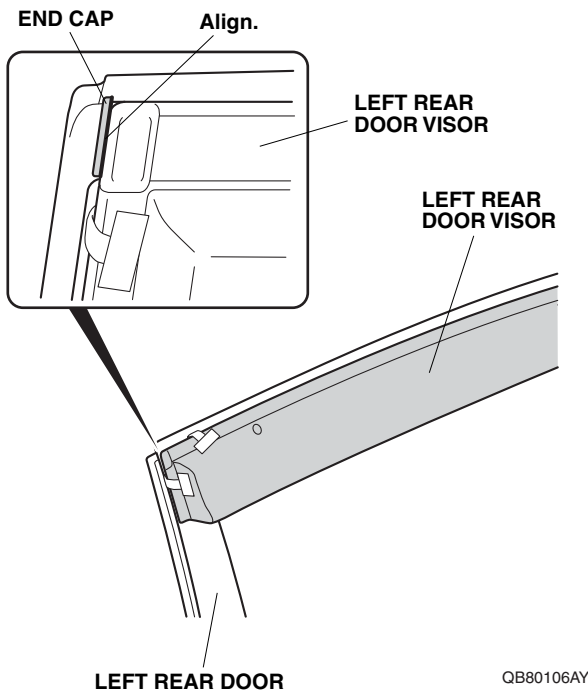


19. Align the holes in the two brackets A to the two holes in the left front door visor.

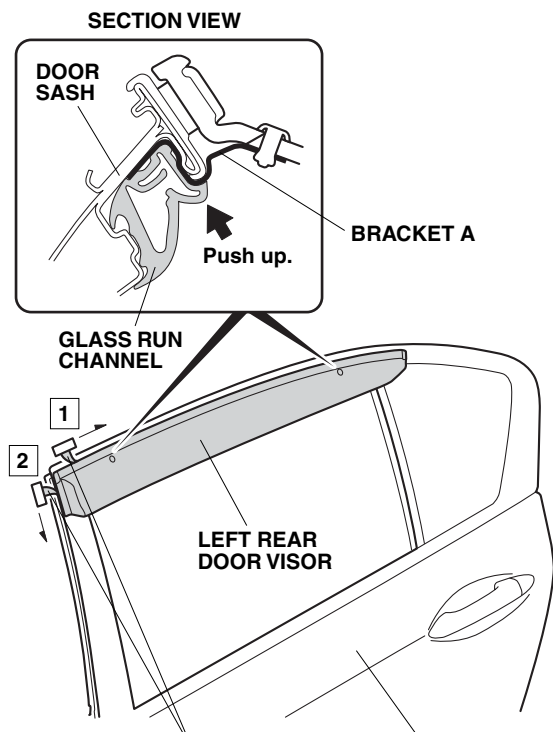


20. Secure the left front door visor to the two brackets A with two clips. Push up on the brackets while installing the clips.  
NOTE: After installing each clip, do not remove it, or it will be damaged.

21. Align the left rear door visor with the door edge as shown.



22. While applying light pressure against the left rear door visor, carefully remove the adhesive backings in the order shown. Make sure to push up on the brackets while removing the adhesive backings.



23. Using the palm of your hand, firmly press the left rear door visor against the door sash.

24. Repeat steps 1 through 23 on the right side of the vehicle.

## WINDOW OPERATION

1. Start the engine.
2. Fully open the window, and make sure the glass run channel is not pinched or misaligned.
3. Open and close the window four or five times to fully seat the glass run channel.
4. Reset the power window control unit. (refer to the service information.)

## VISOR CARE

- When the door visor is dirty, clean it with a soft cloth dampened with water.
- When the door visor is very dirty, clean the door visor with a mild detergent and water. Do not use volatile solvents (thinner, benzine, alcohol, etc.) or cleaners containing abrasive material.
- To allow the adhesive to cure, do not wash the vehicle for 24 hours. Please advise your customer.