



INSTALLATION INSTRUCTIONS

Accessory
TRUNK TRAY
P/N 08U45-TA0-100

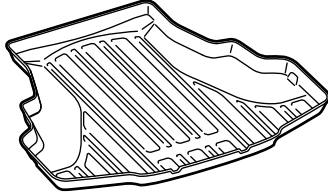
Application
2012 ACCORD
4-DOOR

Publications No.
All 46544

Issue Date
AUG 2011

PART LIST

Trunk tray



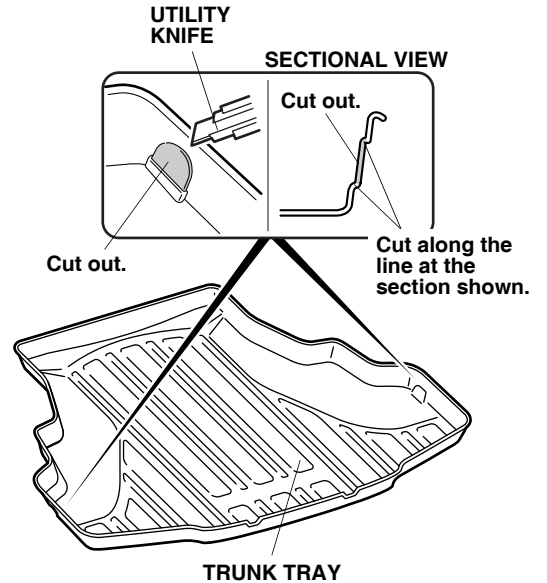
TOOL REQUIRED

Utility knife

INSTALLATION

If the vehicle is equipped with a cargo net, cut the trunk tray as described in step 1; otherwise, go to step 2.

1. Using a utility knife, cut out the two points on the trunk tray as shown.



2. Open the trunk lid. Place the trunk tray on the trunk floor.

