

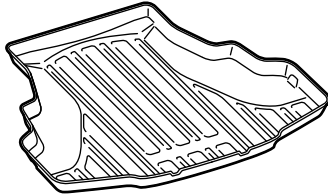


INSTALLATION INSTRUCTIONS

Accessory TRUNK TRAY P/N 08U45-TA0-100	Application 2010 ACCORD 4-DOOR	Publications No. All 42276
		Issue Date AUG 2009

PART LIST

Trunk tray



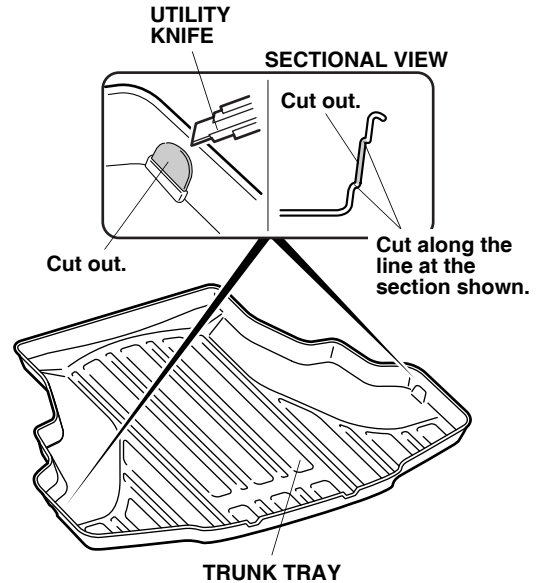
TOOL REQUIRED

Utility knife

INSTALLATION

If the vehicle is equipped with a cargo net, cut the trunk tray as described in step 1; otherwise, go to step 2.

1. Using a utility knife, cut out the two points of the trunk tray as shown.



2. Open the trunk lid. Place the trunk tray on the trunk floor.

