



**INSTALLATION  
INSTRUCTIONS**

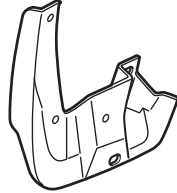
Accessory  
**SPLASH GUARD SET**  
P/N 08P00-TA0-100

Application  
**2009 ACCORD**  
4-DOOR

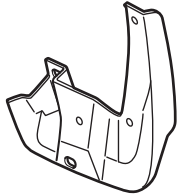
Publications No.  
**All 40006**  
Issue Date  
**JULY 2008**

**PARTS LIST**

Right front splash guard



Left front splash guard



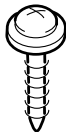
Right rear splash guard



Left rear splash guard



12 Self-tapping screws, 5 x 25 mm



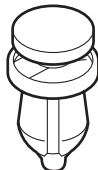
2 Spring nuts



2 Grommets



2 Clips



**TOOL AND SUPPLIES REQUIRED**

Stubby Phillips screwdriver  
Pushpin

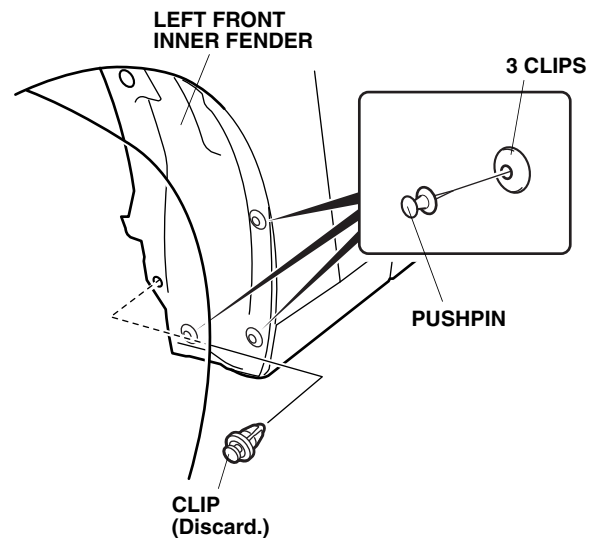
**INSTALLATION**

**NOTE:**

- These instructions show the left splash guard being installed. The same procedure applies to installing the right splash guard.
- Clean and wax the areas to be covered with a high quality paste wax.

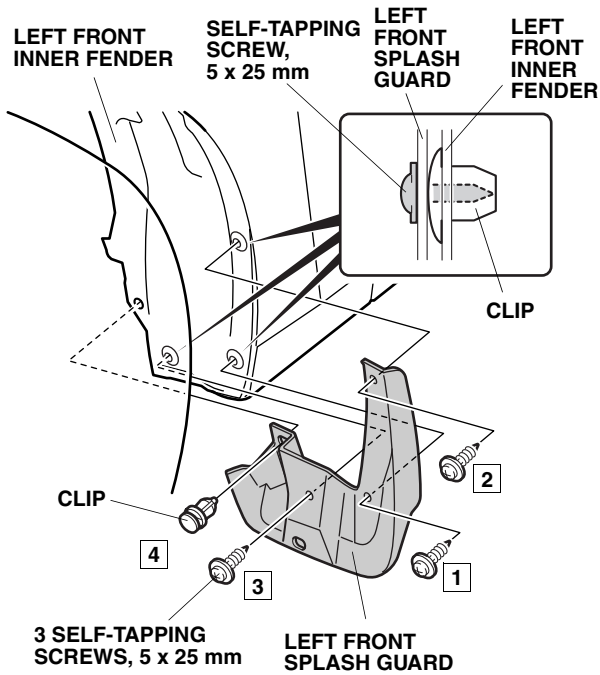
**Installing the Front Splash Guards**

1. Turn the steering wheel all the way counterclockwise.
2. Remove the clip from the left front inner fender as shown.



3. Using a pushpin, make small holes through the center of the three clips.

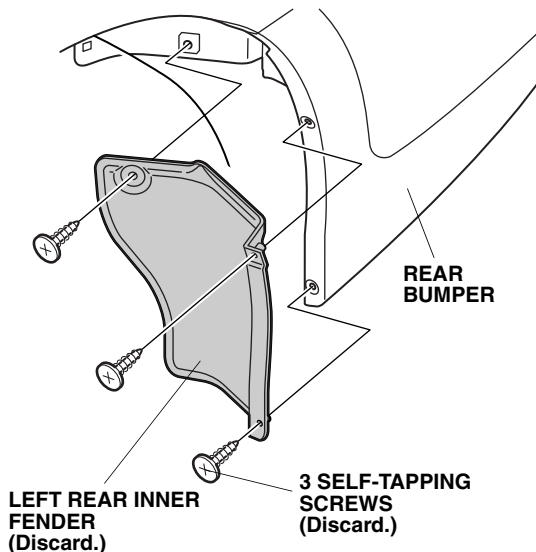
- Install the left front splash guard using the three 5 x 25 mm self-tapping screws, and one clip. Do not tighten the 5 x 25 mm self-tapping screws yet.



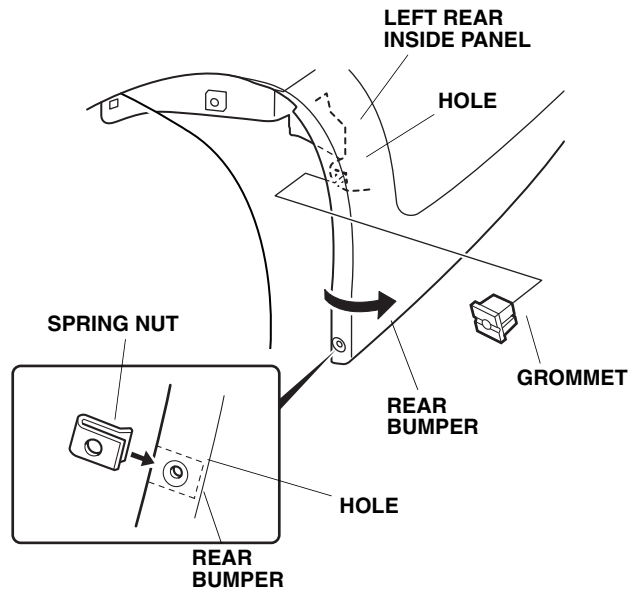
- While holding the left front splash guard against the left front inner fender, tighten the 5 x 25 mm self-tapping screws in the order shown (1 → 2 → 3 → 4).
- Turn the steering wheel all the way clockwise, and repeat steps 2 through 5 to install the right front splash guard.

### Installing the Rear Splash Guards

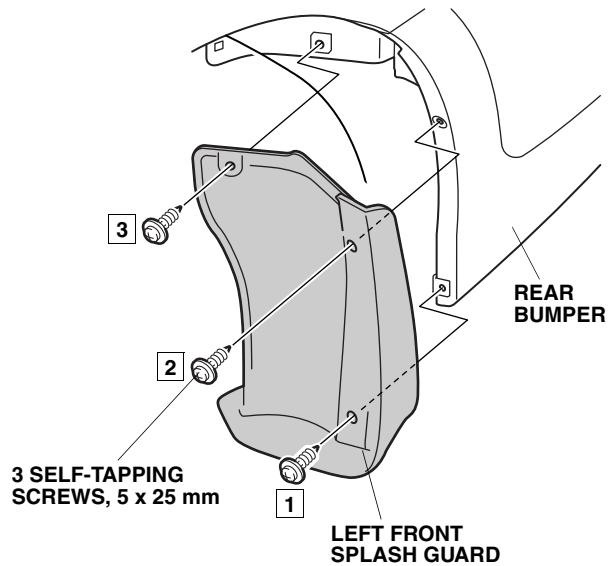
- Remove the three self-tapping screws from the left rear inner fender.
- Remove and discard the left rear inner fender.



- Install the grommet into the hole in the left rear inside panel. Slide the spring nut over the hole in the rear bumper lower hole.



- Install the left rear splash guard using the three self-tapping screws. Do not tighten the 5 x 25 mm self-tapping screws yet.



- While holding the left rear splash guard against the left rear bumper, tighten the 5 x 25 mm self-tapping screws in the order shown (1 → 2 → 3).
- Repeat steps 7 through 11 to install the right rear splash guard.