



## INSTALLATION INSTRUCTIONS

Accessory  
HOOD PROTECTOR  
P/N 08P47-T6Z-100

Application  
2018 RIDGELINE

Publications No.  
**VERSION 1**  
Issue Date  
**JUL 2017**

### PARTS LIST

Hood protector



2 Brackets



2 Protection films



2 Spacers



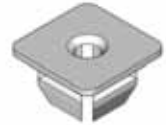
2 Hex screws



2 Truss screws



2 Grommet nuts



2 Alcohol swabs



### TOOLS AND SUPPLIES REQUIRED

Ruler

Felt-tip pen

Utility knife

Masking tape

Phillips screwdriver

2.5 mm Hex wrench

### Illustration of the Hood Protector on the Vehicle



HOOD PROTECTOR

QE02001BX

## INSTALLATION

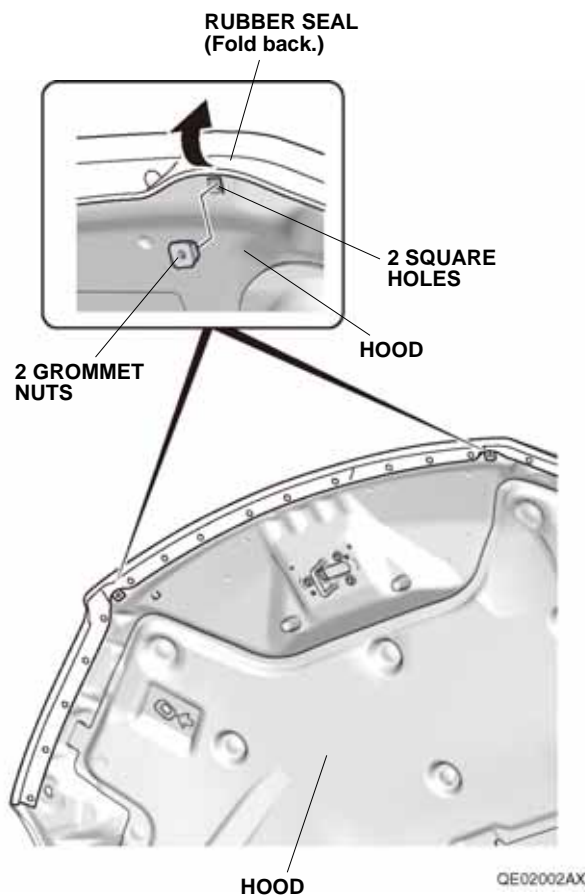
**Customer Information:** The information in this installation instruction is intended for use only by skilled technicians who have the proper tools, equipment, and training to correctly and safely add equipment to your vehicle. These procedures should not be attempted by “do-it-yourselfers.”

### NOTE:

- Be careful not to damage the body paint finish.
- This kit should be installed only if the ambient air temperature is 15° C (60° F) or above.
- To allow the adhesive to cure, do not wash the vehicle for 24 hours. Make sure your customer is aware of this.

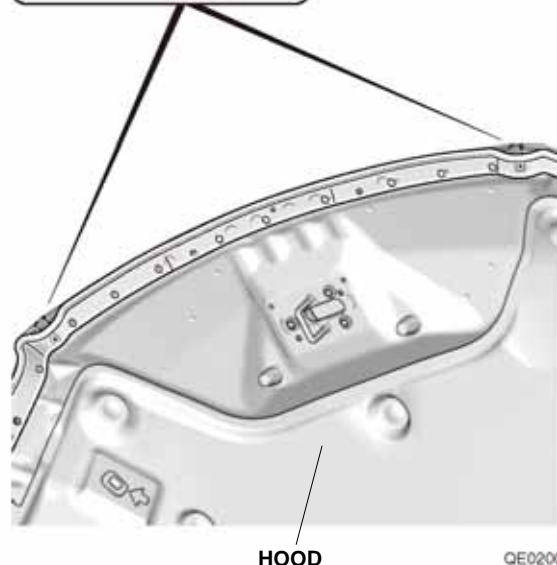
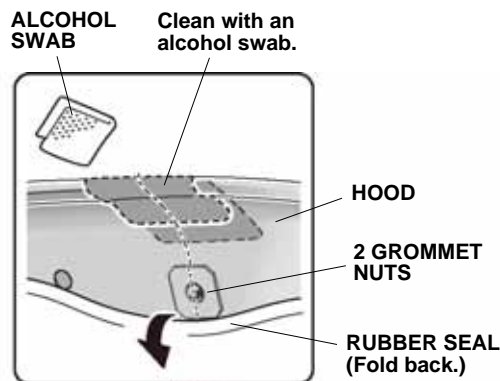
### Installing the Hood Protector

1. Clean and dry the front area of the hood where the hood protector will be installed.

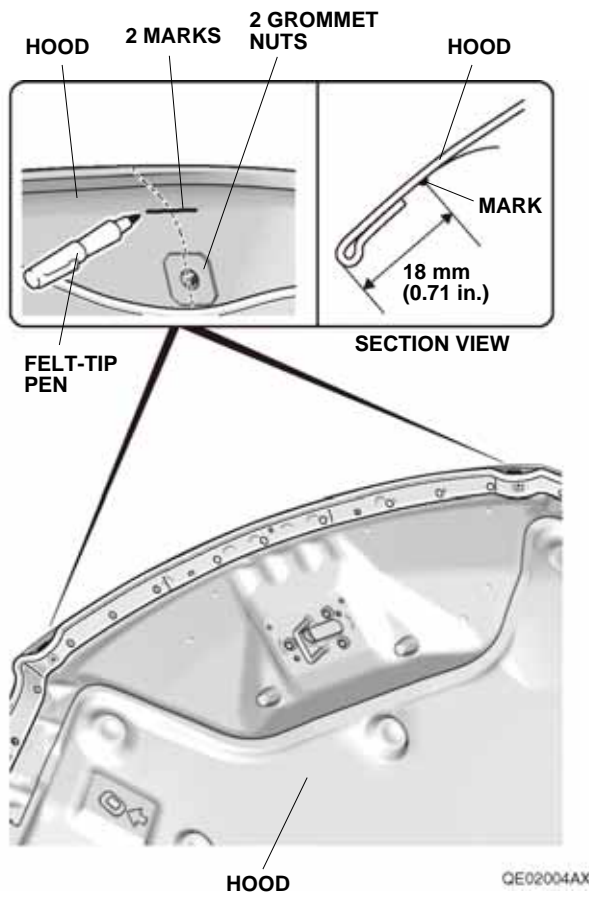


2. Open the hood. Fold back the rubber seal and locate the two square holes on the underside of the hood. Push one grommet nut into each square hole in the hood.

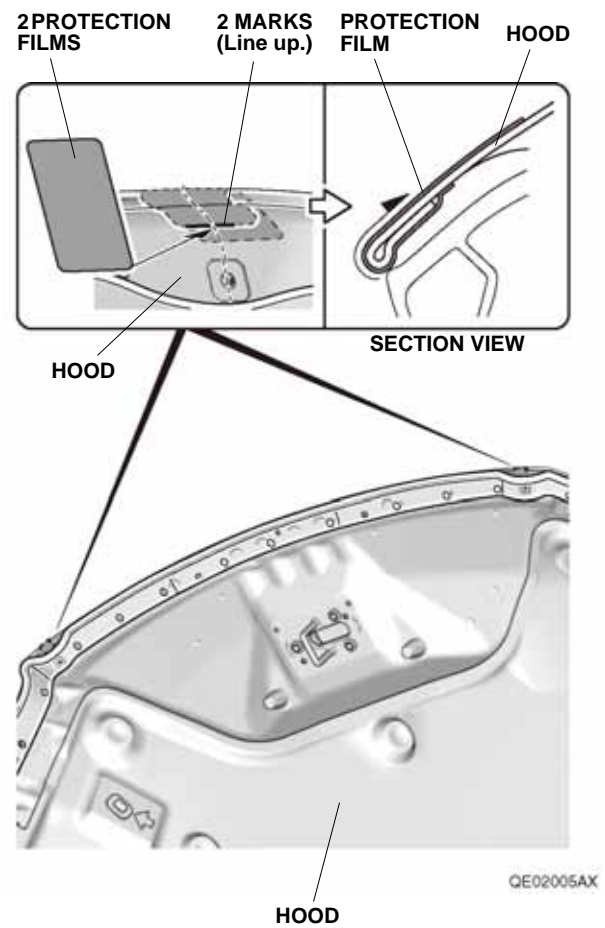
3. Fold back the rubber seal and using one alcohol swab, clean the areas of the hood where the two protection films will attach.



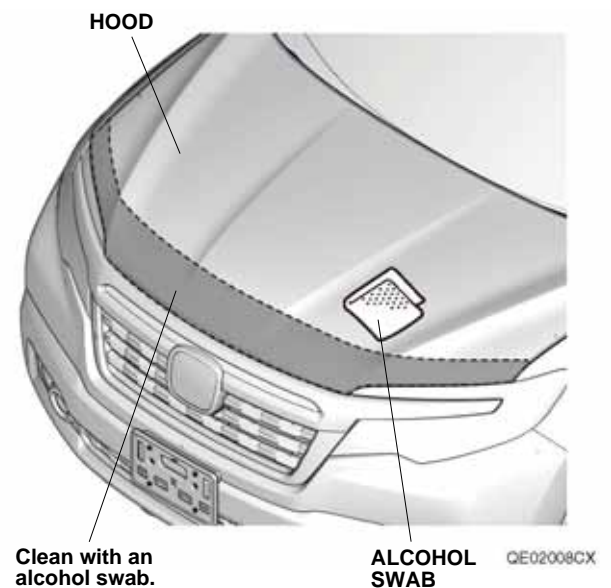
4. Using a felt-tip pen, make the two marks on the hood as shown.



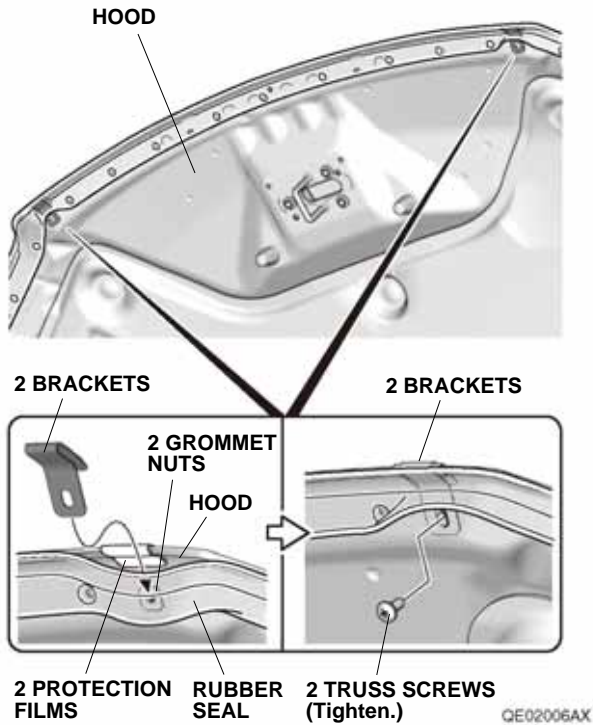
5. Remove the two adhesive backings from the two protection films and attach them as shown.



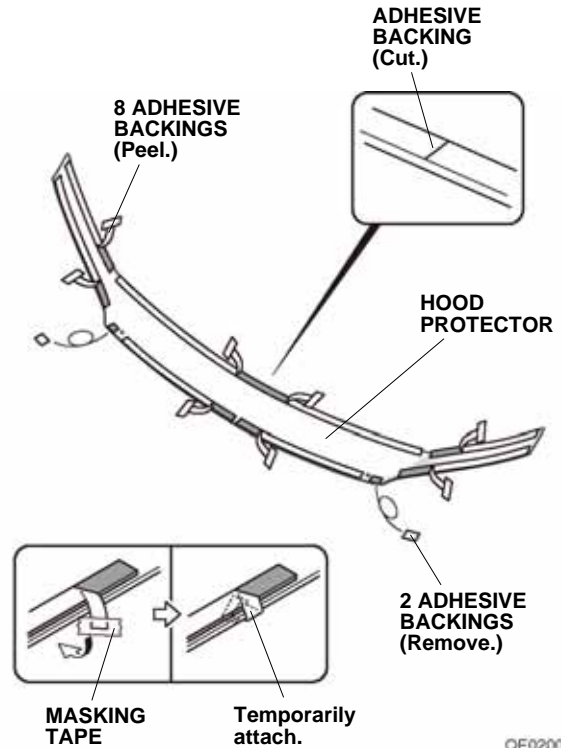
6. Close the hood. Using one alcohol swab, thoroughly clean the area where the hood protector will attach.



7. Open the hood. Slide the two brackets over the lip of the hood and line them up with the holes in the two grommet nuts. Tighten each truss screw through each bracket.
- NOTE: Make sure the brackets are fully seated against the hood.

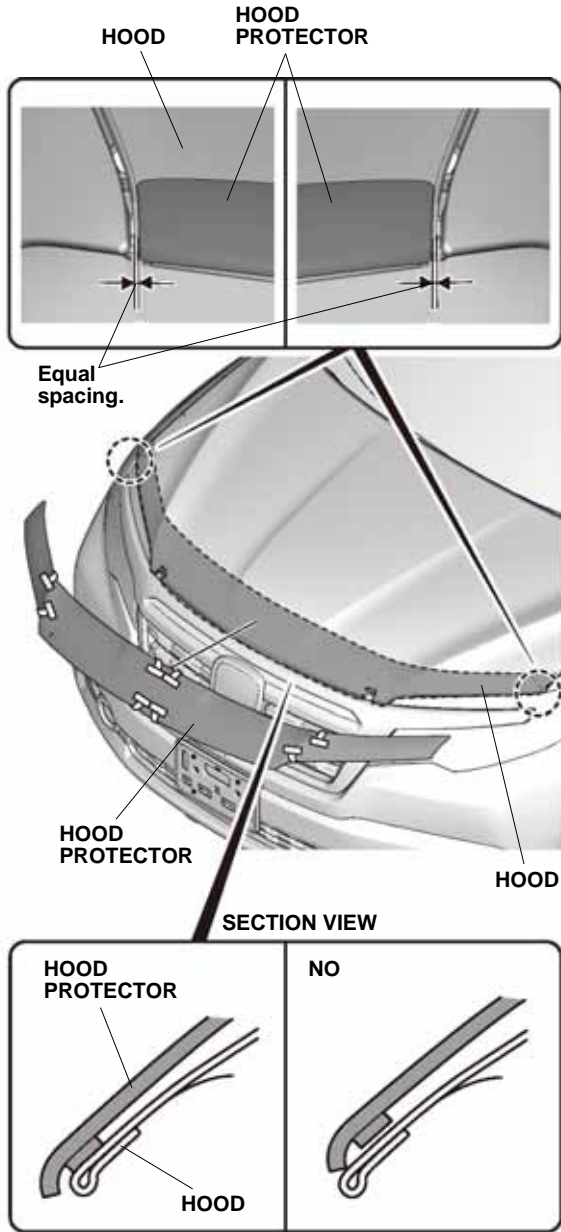


8. Using a utility knife, cut one adhesive backing in half.



9. Attach a piece of masking tape to the end of the adhesive backings as shown. Peel back the adhesive backings partway and temporarily attach them to the front surface of the hood protector as shown. Remove the remaining adhesive backings.

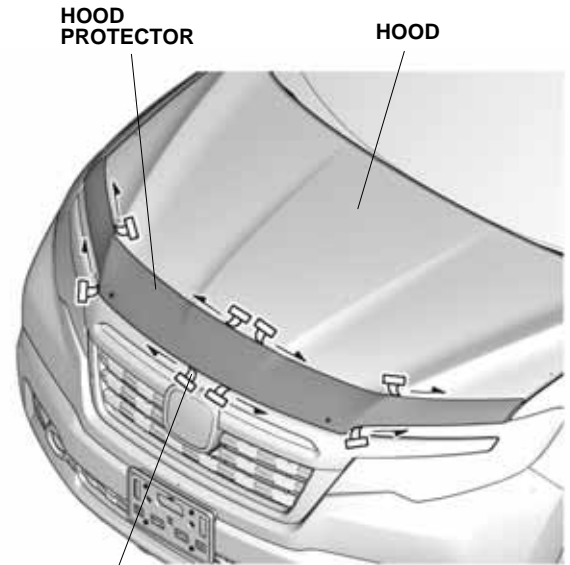
10. Close the hood. Position the hood protector on the hood. Line up the holes in the hood protector with the holes in the two brackets and line up the hood protector with the hood edge.



QE02009CX

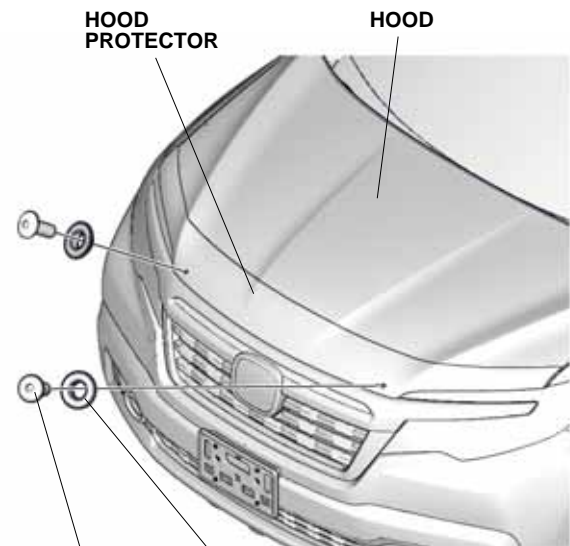
11. Place the front edge of the hood protector over the front edge of the hood.  
NOTE: Make sure there is a consistent gap between the front of the hood protector and the hood.

12. Starting from the center and working outward, carefully remove the taped adhesive backings while applying light pressure against the hood protector.



QE02010BX

13. Using the palm of your hand, firmly press the hood protector against the hood.  
14. Install the two spacers and two hex screws in the hood protector.



QE02011CX

## HOOD PROTECTOR CARE

- To avoid damaging the surface, never use ammonia-based cleaners or solvents to clean the hood protector.
- Clean with a solution of mild dishwashing soap and water using a soft cloth or chamois.
- To remove fine scratches and restore the original luster, use Meguiar's Mirror Glaze plastic cleaner and polish or an equivalent high-quality plastic cleaner.