



## INSTALLATION INSTRUCTIONS

Accessory  
**SOFT CARGO ORGANIZER**  
P/N 08U20-S9V-101

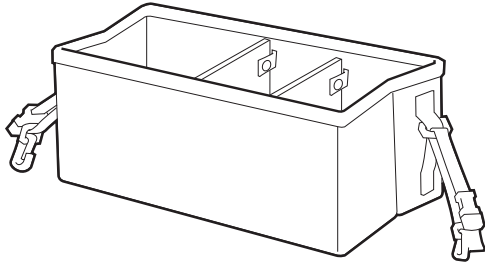
Application  
**2012 PILOT**

Publications No.  
**All 46403**  
Issue Date  
**AUG 2011**

Put this information in the glove box with the vehicle owner's manual.

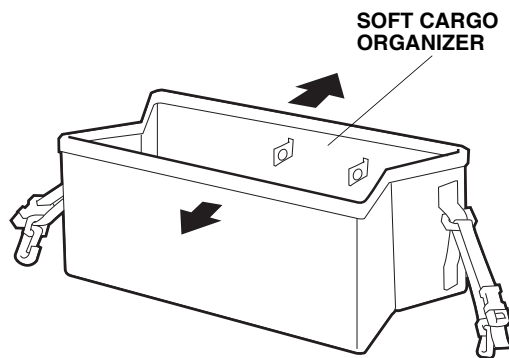
### PARTS LIST

Soft cargo organizer

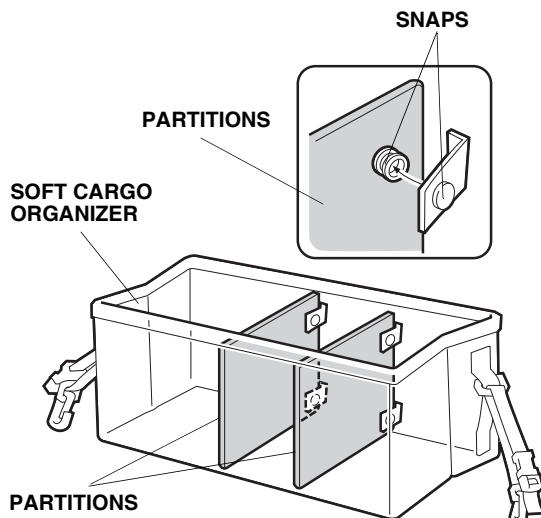


### INSTALLATION

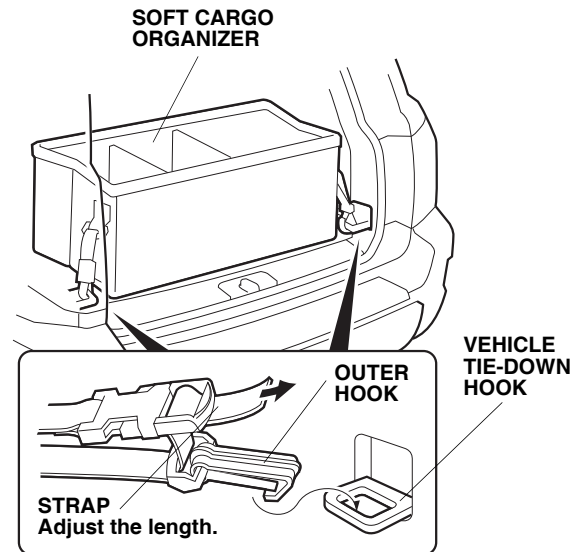
1. Open the soft cargo organizer.



2. Attach the two partitions to the soft cargo organizer by connecting the inner snaps.



3. Place the organizer in the cargo area of the vehicle, and attach the outer hooks on the organizer to the vehicle tie-down hooks.



4. Adjust the length of the straps as needed to secure the organizer to the tie-down hooks.  
**NOTE:** Before storing articles that have sharp edges or corners, wrap them in paper or a blanket so their sharp edges or corners will not damage the soft cargo organizer.