



**INSTALLATION
INSTRUCTIONS**

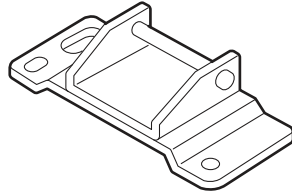
Accessory
**BICYCLE ATTACHMENT
(INTERIOR)**
P/N 08L07-S9V-102A

Application
2011 PILOT

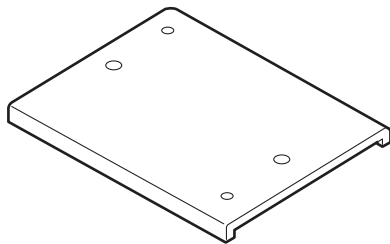
Publications No.
All 43300
Issue Date
MARCH 2010

PARTS LIST

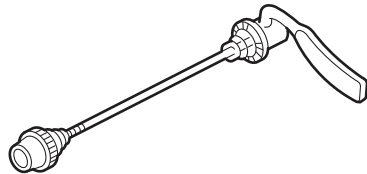
Holder



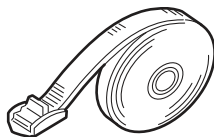
Bracket



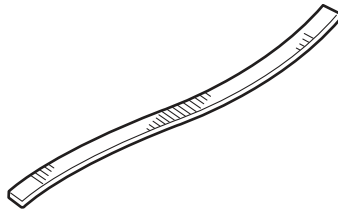
Quick shaft



Belt



2 Fasteners



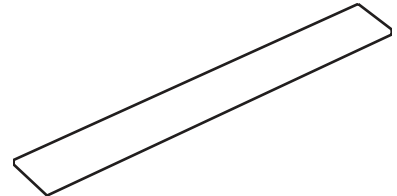
2 Long washer bolts (Not used)



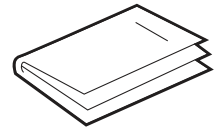
2 Short washer-bolts



2 Seals (Not used)



Accessory User's Information Manual



TOOLS AND SUPPLIES REQUIRED

12 mm Combination Wrench

Drill

3 mm and 10 mm Drill bits

Eye Protection (face shield, safety goggles, etc.)

Torque wrench

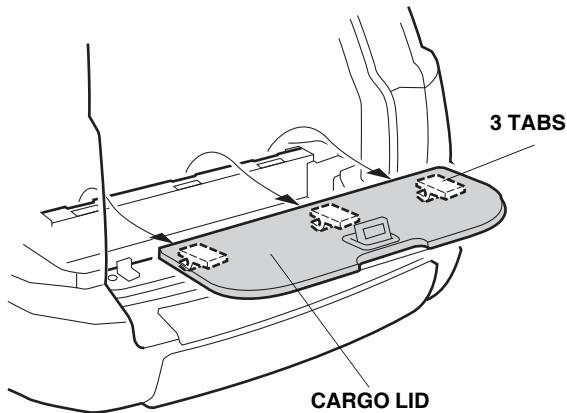
INSTALLATION

Customer Information: The information in this installation instruction is intended for use only by skilled technicians who have the proper tools, equipment, and training to correctly and safely add equipment to your vehicle. These procedures should not be attempted by “do-it-yourselfers.”

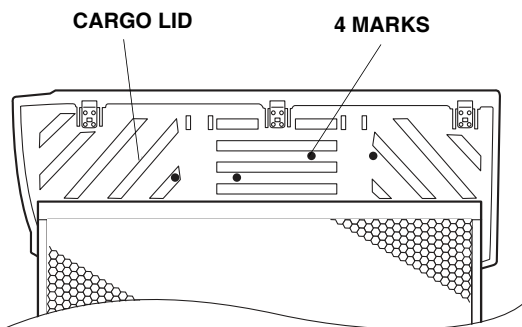
NOTE: The interior bicycle attachment can not be installed on vehicles equipped with cargo liner or cargo tray.

Installing the Bicycle Attachment

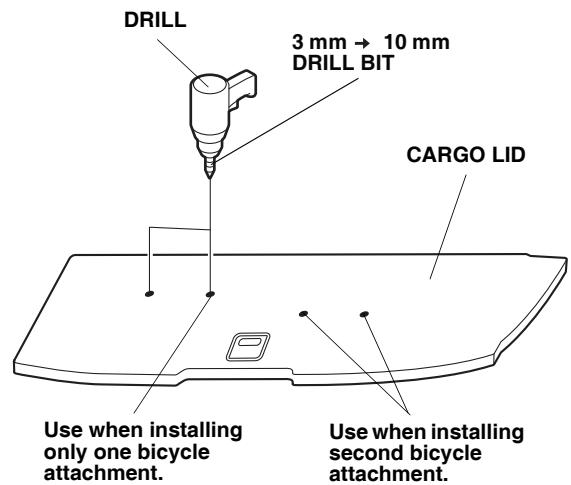
1. Open the tailgate and remove the cargo lid (three tabs).



2. Turn the cargo lid over, and locate the four marks on the surface of the cargo lid.



3. While wearing eye protection, first drill the four marks from the underside with a 3 mm drill bit, then finish with a 10 mm drill bit from the top. Remove all burrs.



4. Position the holder and the bracket in the surface of the cargo lid, and install the two short washer-bolts. Torque the short washers-bolts to 7 N·m (5.1 lbf·ft). If installing a second bicycle attachment, repeat steps 3 and 4.
5. To install the bicycle to the attachment, refer to the Accessory User's Information Manual supplied.