



**INSTALLATION  
INSTRUCTIONS**

Accessory

**SOFT CARGO ORGANIZER**  
P/N 08U20-S9V-101

Application

**2010 PILOT**

Publications No.

**All 41636**

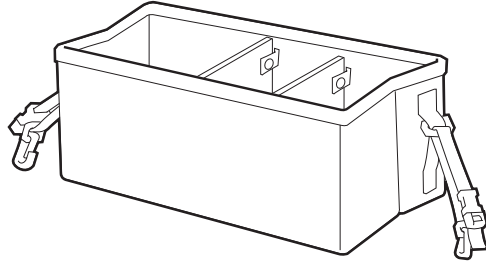
Issue Date

**MAY 2009**

**Put this information in the glove box with the vehicle owner's manual.**

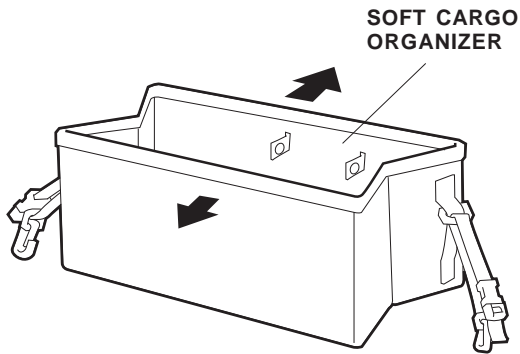
**PARTS LIST**

Soft cargo organizer

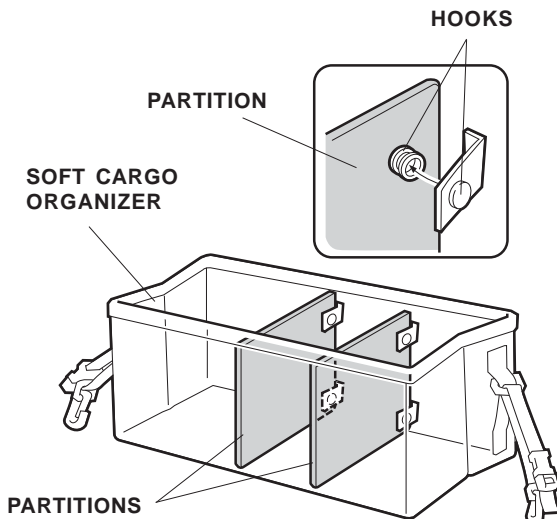


**INSTALLATION**

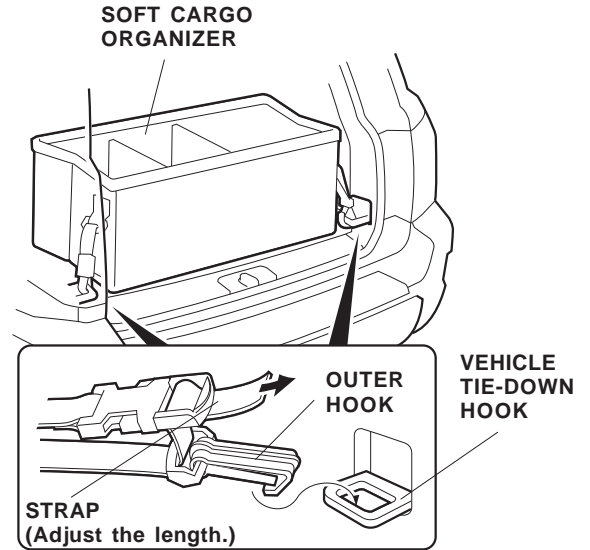
1. Open the soft cargo organizer.



2. Attach the two partitions to the soft cargo organizer by connecting the inner hooks.



3. Place the organizer in the cargo area of the vehicle, and attach the outer hooks of the organizer to the vehicle tie-down hooks.



4. Adjust the length of the strap as needed to secure the organizer to the tie-down hooks.

**NOTE:** Before storing articles that have sharp edges or corners, wrap them in paper or a blanket so their sharp edges or corners will not damage the soft cargo organizer.