



**INSTALLATION  
INSTRUCTIONS**

Accessory  
**SKI / SNOWBOARD  
ATTACHMENT**  
P/N 08L03-E09-100

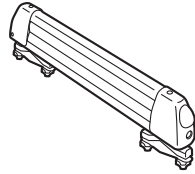
Application  
**2010 PILOT**

Publications No.  
**All 41665**  
Issue Date  
**MAY 2009**

Put this information in the glove box with the vehicle owner's manual.

**PARTS LIST**

2 Ski / snowboard attachments



Wrench



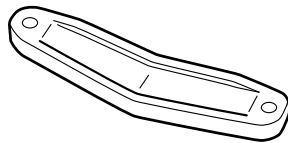
2 Keys



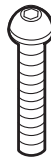
8 Collars



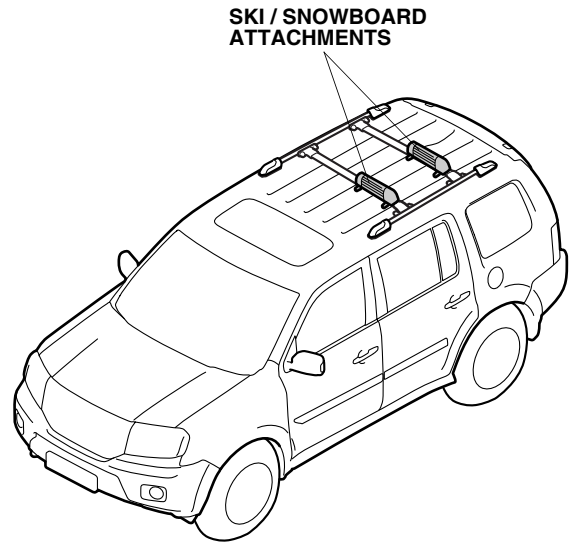
4 Brackets



8 Bolts



**Illustration of the Ski / Snowboard Attachment on the Vehicle**



**INSTALLATION**

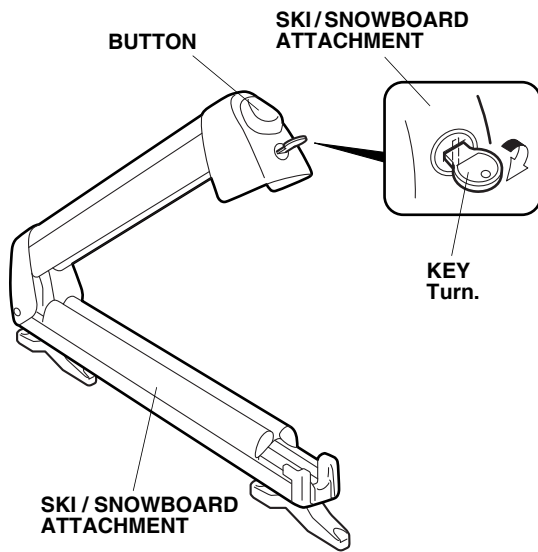
**Customer Information:** The information in this installation instruction is intended for use only by skilled technicians who have the proper tools, equipment, and training to correctly and safely add equipment to your vehicle. These procedures should not be attempted by "do-it-yourselfers."

**NOTE:**

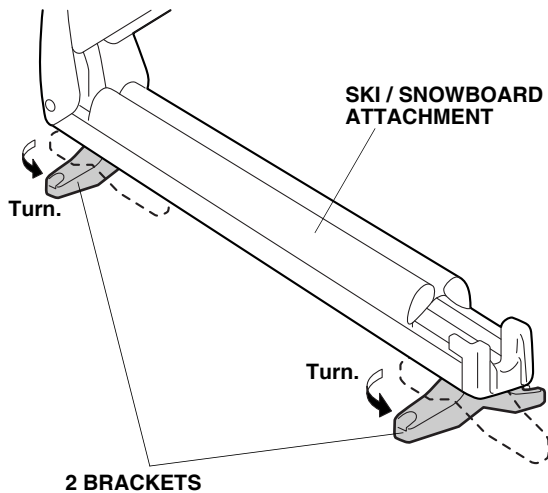
- This ski / snowboard attachment is designed to be used exclusively with the crossbars, which are sold separately.
- Do not use non-Honda accessories, carriers or attachment sets with this ski / snowboard attachment kit.
- Install the ski / snowboard attachment after installing the crossbars on the roof.
- Do not damage the roof and other finished surfaces of the body when installing the ski / snowboard attachment.

## Installing the Ski / Snowboard attachment

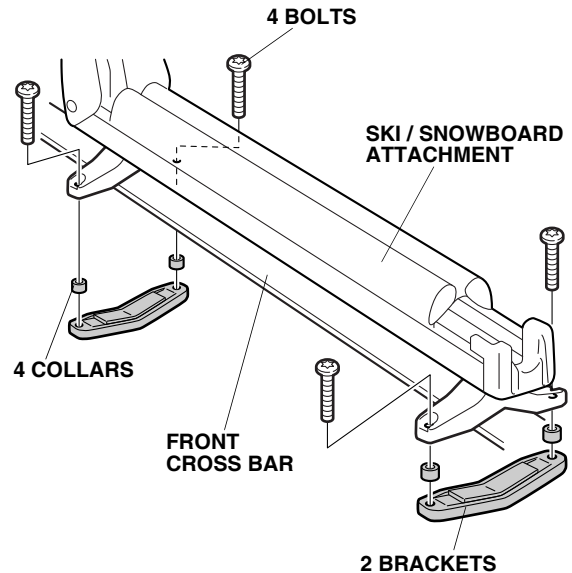
1. Insert the key and turn it clockwise to unlock the ski / snowboard attachment.



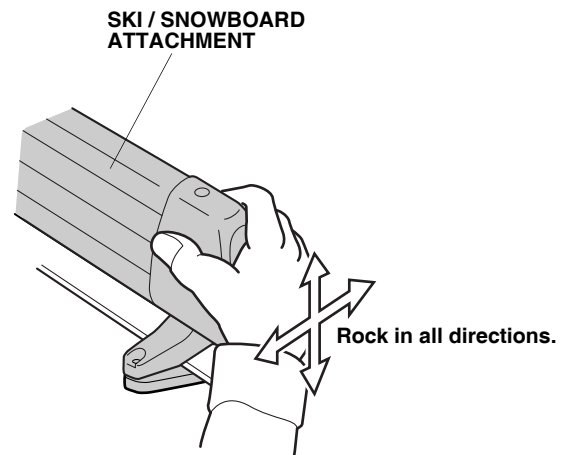
2. Push the button and raise the holder block of the ski / snowboard attachment.
3. Turn two brackets on the ski / snowboard attachment as shown.



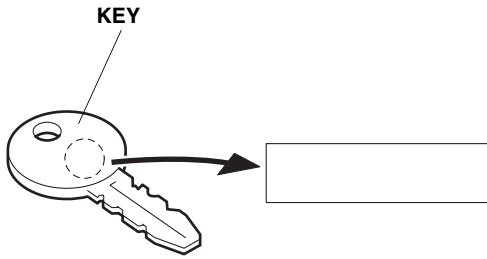
4. Using a wrench, install the ski / snowboard attachment to the front crossbar with four bolts, four collars, and two brackets.



5. Repeat steps 1 through 4 for the other ski/snowboard attachment on the rear crossbar.
6. Check after installation: Rock the ski / snowboard attachment in all directions to check if it is installed securely without play or rattle. If found with abnormal play or rattle, retighten the screw, or install the ski / snowboard attachment as described in this installation instruction.

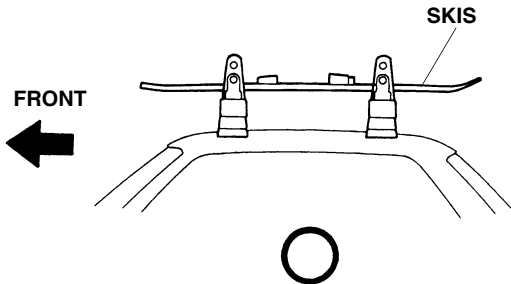


7. Write down the key number in the box below in case the key is lost or stolen.



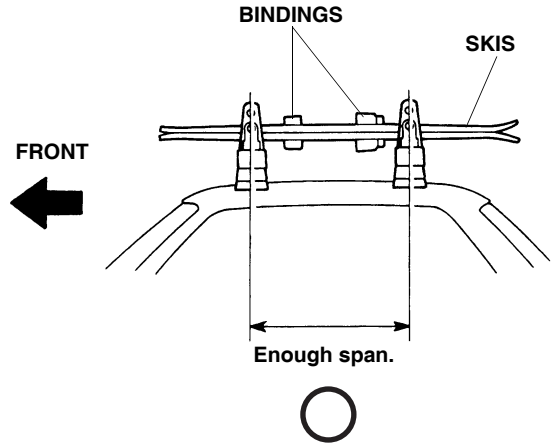
**How to Load Skis on the Ski / Snowboard Attachment**

8. Load the skis with the rear of the skis facing the front of the vehicle.

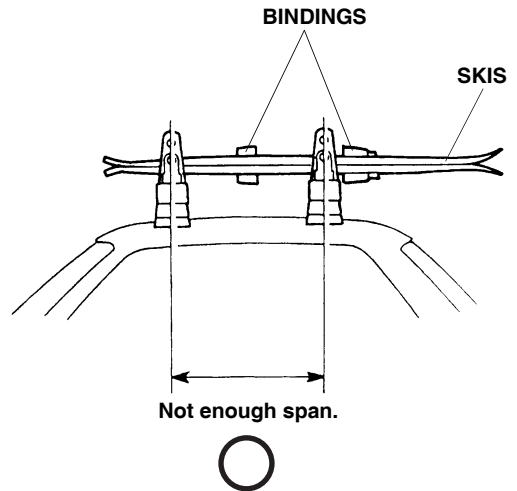


9. If the bindings cannot be positioned between the front and the rear attachments, install the skis with the rear bindings behind the rear attachment as shown.

**ENOUGH SPAN**

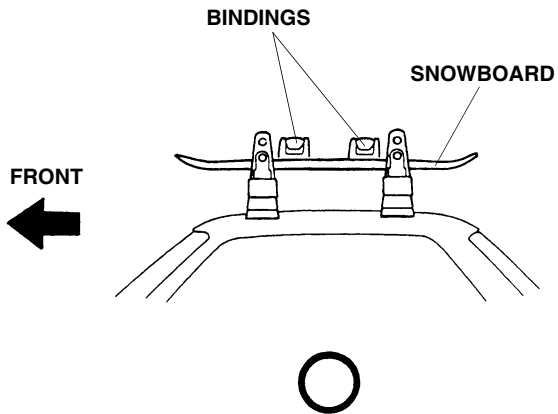


**NOT ENOUGH SPAN**

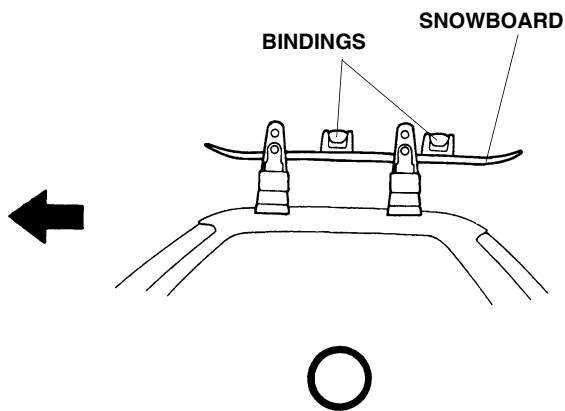


## How to Load a snowboard on the Ski / Snowboard Attachment

10. Load the snowboard with its bindings positioned between the front and the rear attachments.



11. If the bindings cannot be positioned between the front and the rear attachments, install the snowboard astride the rear attachment as shown.



## USE AND CARE

- Do not carry more than four pairs of skis or more than one snowboard on the attachment.
- The ski / snowboard attachment raises the overall height of the vehicle. Pay attention to overhead obstacles when driving with the ski / snowboard attachment.
- Before and after driving, or after loading skis or snowboard on the attachment, check the security of the attachment mounts and retighten them as necessary.

## PRECAUTION

- Avoid sudden starts or stops with the attachment on the vehicle. It may cause bolts and other fasteners to loosen.
- Obey local laws and regulations.
- Before driving, check that the attachment is locked securely regardless of whether or not skis or a snowboard is mounted on the attachment.
- Do not use the ski / snowboard attachment with the vehicles other than those specified.